

## Card Edge Connectors 0.150" (3.81mm) Pitch

### Features:

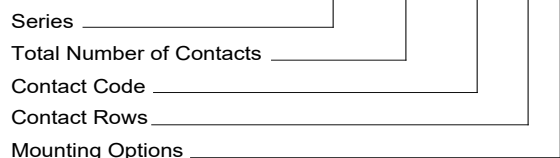
- 0.150" (3.81mm) contact spacing x 0.200" (5.08mm) row spacing
- Accepts 0.062" (1.57mm) nominal thickness P.C. board
- High profile insulator body, 0.600" (15.24mm)
- Contact termination options include P.C. tail, wire wrap and extender board bends
- Single or dual row configurations
- Variety of mounting options
- Accepts in-contact polarizing keys
- RoHS Compliant



### Specifications:

Insulator Material	UL 94V-0 Thermoplastic Polyester, Black Color
Contact Material	Copper Alloy
Contact Plating	Gold Plating on mating area and Tin Plating on tails with Nickel underplating all over
Current Rating	3 amps
Contact Resistance	10 milliohms maximum
Dielectric Withstanding Voltage	1800 V AC rms at sea level between adjacent contacts
Insulation Resistance	5000 megaohms minimum
Operating Temperature	-40°C to +105°C
Insertion Force	16 oz (4.45 N) maximum per contact pair when tested with .070" (1.78mm) thick gauge
Withdrawal Force	1 oz (0.28 N) minimum per contact pair when tested with .054" (1.37mm) thick gauge

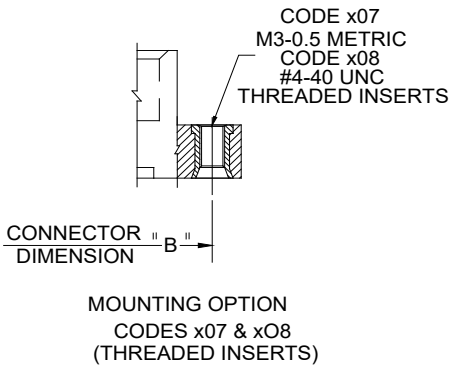
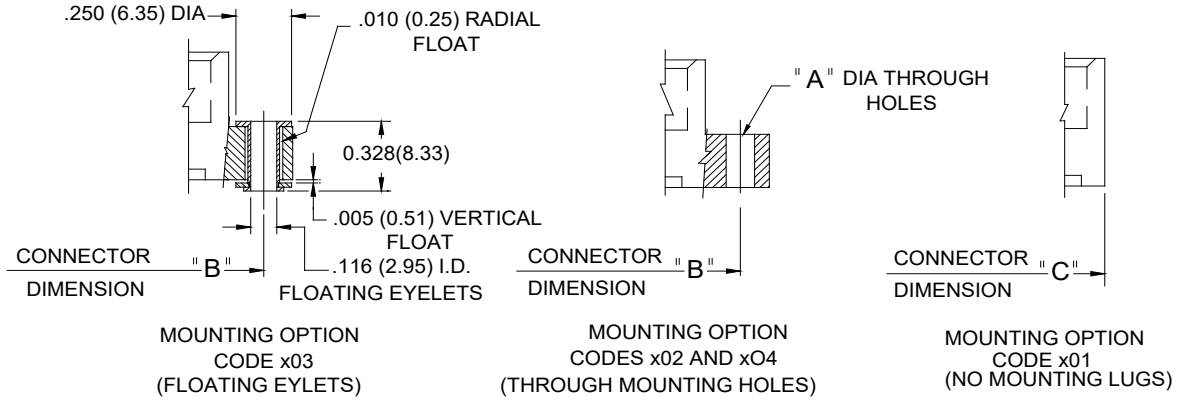
Example Part Number: **379-040-520-208**



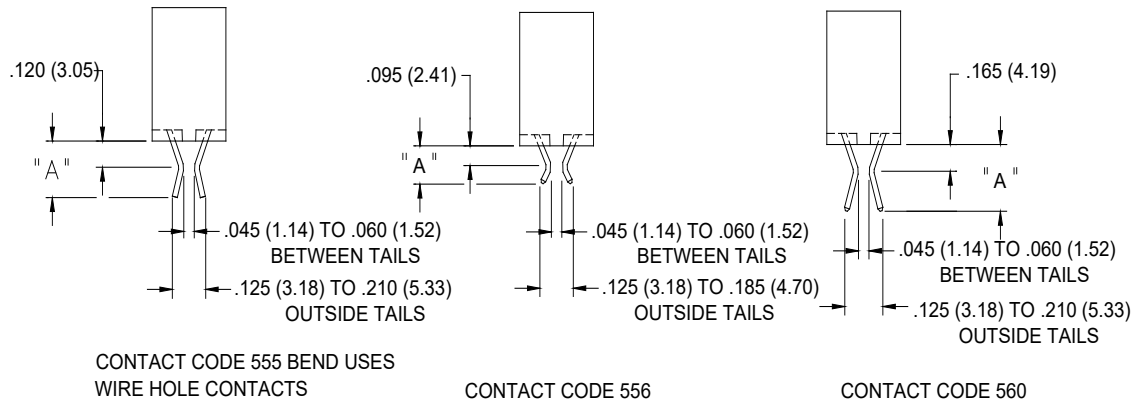
Series:	Contact Code:	Tail Description:	Tail Size:	Tail Length "G":
379	520	P.C. Tail	.030 x .018 (0.76 x 0.46)	.175 (4.45)
<b>Total Number of Contacts:</b> 006, 016, 020, 026 or 032	521	P.C. Tail	.025 Square (0.64 Square)	.150 (3.81)
012, 032, 040, 052 or 064	523	P.C. Tail	.025 Square (0.64 Square)	.390 (9.91)
<b>Contact Rows:</b> 1	524	P.C. Tail	.018 Square (0.46 Square)	.175 (4.45)
2	540	Wire Wrap	.025 Square (0.64 Square)	.560 (14.22)
<b>Insulator Style:</b> Single Row	541	Wire Wrap	.025 Square (0.64 Square)	.750 (19.05)
Dual Row	542	Wire Wrap	.025 Square (0.64 Square)	.645 (16.38)
<b>Mounting Options:</b> 01	544	Wire Wrap	.050 x .025 (1.27 x 0.64)	.750 (19.05)
02	555	EXTENDER BOARD BEND	(Code 500 Contacts)	
03	556	EXTENDER BOARD BEND	(Code 520 Contacts)	
04	560	EXTENDER BOARD BEND	(Code 523 Contacts)	
07				
08				

**Ordering Code Notes:**  
Consult with EDAC regarding 90 degree bend availability.

## Card Edge Connectors 0.150" (3.81mm) Pitch

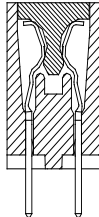


CODE X02 AND X04- THROUGH MTG. HOLES		
	CODE X02	CODE X04
"A" DIA.	0.128(3.25)	0.156(3.96)
CODE X07 AND X08- THREADED INSERTS		
	CODE X07	CODE X08
INSERT	M3-0.5(METRIC)	#4-40 UNC

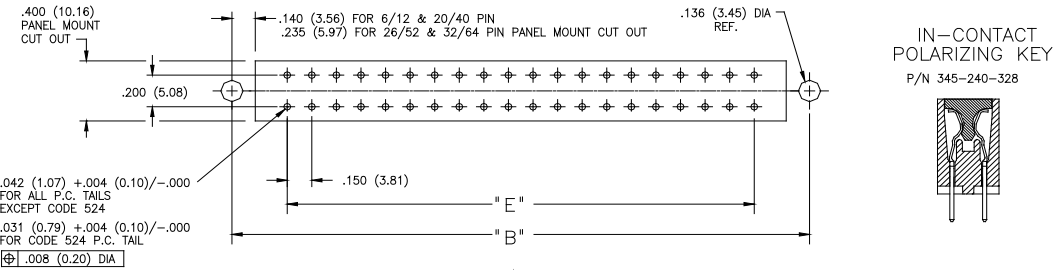
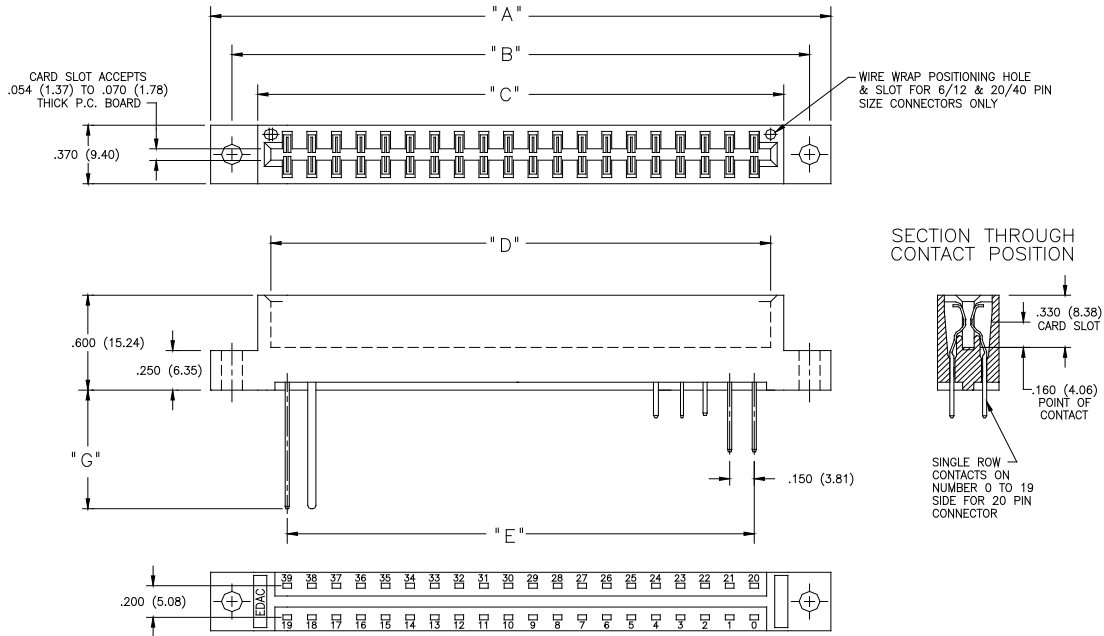


IN-CONTACT POLARIZING KEY  
 P/N 345-240-328

CONTACT CODE	A	B
555	0.245(6.22)	
556	0.170(4.32)	
560	0.375(9.53)	

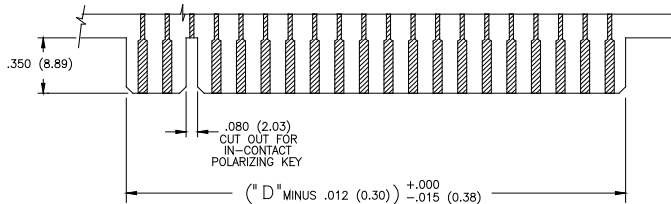


## Card Edge Connectors 0.150" (3.81mm) Pitch



CONNECTOR MOUNTING PATTERN

CONSULT WITH EDAC REGARDING CONNECTORS WITH BETWEEN CONTACT POLARIZING KEY MOULDED INTO POSITION.



RECOMMENDED DAUGHTER BOARD

- SERIES AND MATERIAL CODE SEE NOTE 6
- INSULATOR IDENTITY CODE (213 PPS, BLACK COLOR)
- NUMBER OF CONTACT POSITIONS PER ROW
- OFFSET VARIATION CODE SEE NOTE 3 ON DWG. 345-210-001
- MOUNTING VARIATION CODE SEE NOTE 3 ON DWG. 345-210-001

379-210-032-XXX	32	64	5.675(144.14)	5.410(137.41)	5.100(129.54)	4.940(125.47)	4.650(118.11)
379-210-026-XXX	26	52	4.775(120.78)	4.510(114.55)	4.200(106.68)	4.040(102.62)	3.750(95.25)
379-210-024-XXX	24	48	4.475(113.66)	4.210(106.93)	3.900(99.06)	3.740(95.00)	3.450(87.63)
379-210-020-XXX	20	40	3.875(98.43)	3.610(91.69)	3.300(83.82)	3.140(79.76)	2.850(72.39)
379-210-016-XXX	16	32	3.275(83.18)	3.010(76.45)	2.700(68.58)	2.540(64.52)	2.250(57.15)
379-210-006-XXX	6	12	1.775(45.09)	1.510(38.35)	1.200(30.48)	1.040(26.42)	.750(19.05)
PART NUMBER	SINGLE (# OF CONTACTS)	DUAL (# OF CONTACTS)	A ±.015	B ±.010	C ±.015	D +.010 -.006	E ±.005