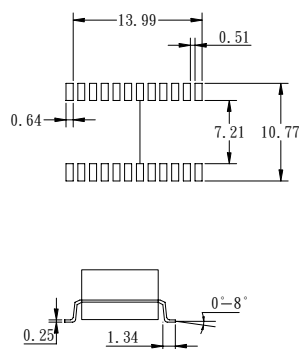
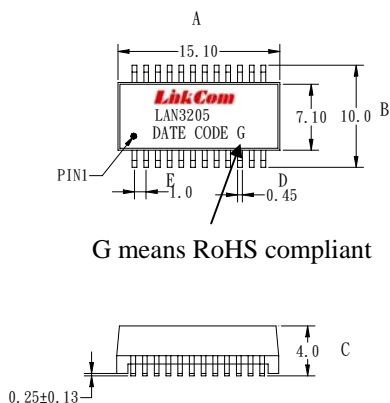


10/100BASE-Tx Magnetics Module

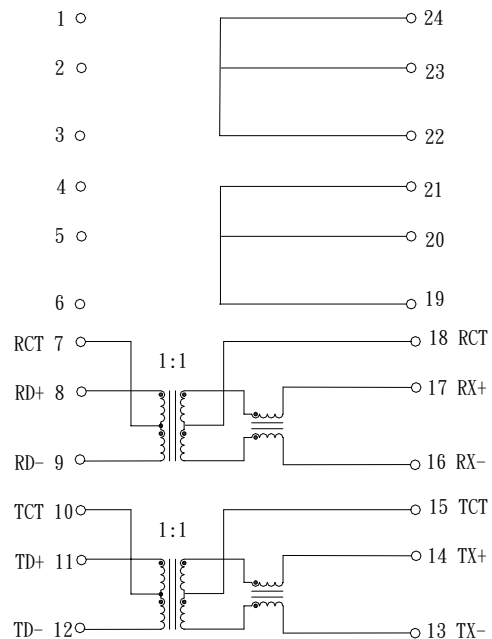
- Meets IEEE 802.3 standard
- RoHS Compliant
- Single port configuration
- Design for 100base-Tx transmission over UTP-5 cable
- Operating Temperature: 0°C ~70°C

Electrical Specification @25°C					
OCL:	350uH Min. @100KHz/0.1V with 8mA DC Bias				
Hi-POT :	1500Vrms.				
Turn Ratio:	1CT±3%:1CT				
D.C.R:	0.9 ohm Max				
Insertion Loss:	1-100MHz				
	-1.0dB Max.				
Return Loss:	1-30MHz	40MHz	50MHz	60~80MHz	100MHz
	-18dB Min.	-14.4dB Min.	-13.1dB Min.	-12dB Min.	-10dB Min.
D.C.M.R. :	30MHz	60MHz		100MHz	
	-40dB Min.	-35dB Min.		-30dB Min.	
Cross Talk :	3MHz	60MHz		100MHz	
	-45dB Min.	-40dB Min.		-35dB Min.	

Dimensions



Schematic



Units: mm

Unless otherwise specified, all tolerances are ±0.25