

## FEATURES:

- Magnetic designs to support every PHY
- Meet or exceed IEEE 802.3 and ANSI X3.263 standards including 350uH min OCL with 8mA bias
- Minimum 1500Vrms isolation per IEEE 802.3 requirement

YUAN DEAN SCIENTIFIC



## RJ45 Jack 51F/53F(1G) SERIES

With Magnetics

1000 Base-T

TAB Up

Vertical (180° )



### ELECTRICAL SPECIFICATIONS@25°C Operating temperature 0°C TO 70°C

Part Number	Turns Ratio (±3%)	LEDs (L/R)	Insertion Loss (dB MAX)	Return Loss (dB MIN)			Crosstalk (dB TYP)			DCMR (dB MIN)	CMR (dB TYP)		CDMR (dB TYP)	Hipot (VDC) @60Hz
				0.1-100 MHz	0.1-10 MHz	30-60 MHz	60-100 MHz	0.1-30 MHz	30-60 MHz		60-100 MHz	0.1-100 MHz		
51F-1305GYDXNL	1CT:1CT	G/Y	-1.0	-18	-16	-10	-40	-35	-30	-30	-	-	-30	2250
53F-1305GYD2NL	1CT:1CT	G/Y	1-100 MHz	1-10 MHz	30 MHz	60-80 MHz	1-10 MHz	30-60 MHz	60-100 MHz	-	-30	-20	-	1500Vrms
			-1.2	-18	-16	-12	-30	-30	-30					

www.yds.com.tw

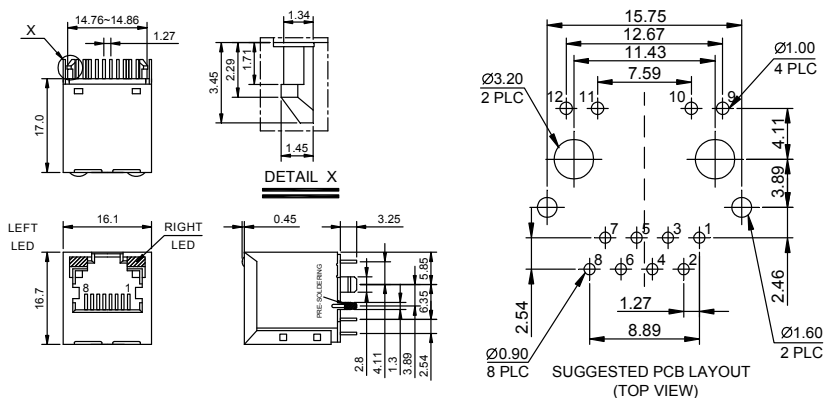


TEL : 886-6-3842899 FAX : 886-6-3843288  
E-MAIL : ydsweb@yds.com.tw

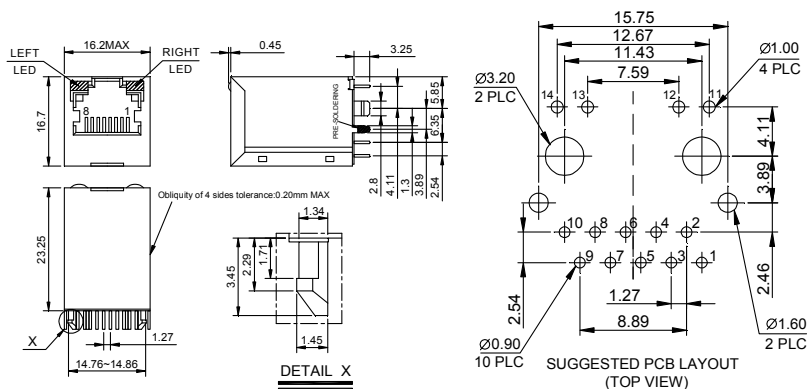
Rev: 0 2018/12/11

Mechanical

51F



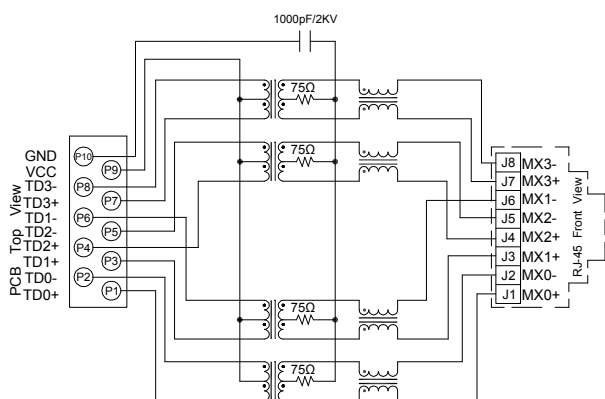
53F



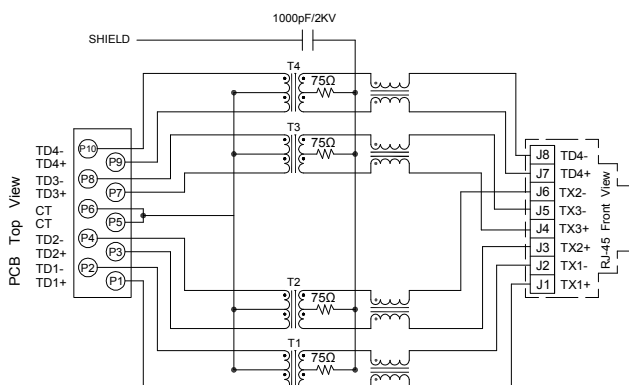
UNIT:mm Unless otherwise specified, all tolerances are ±0.25

Schematics

51F-1305

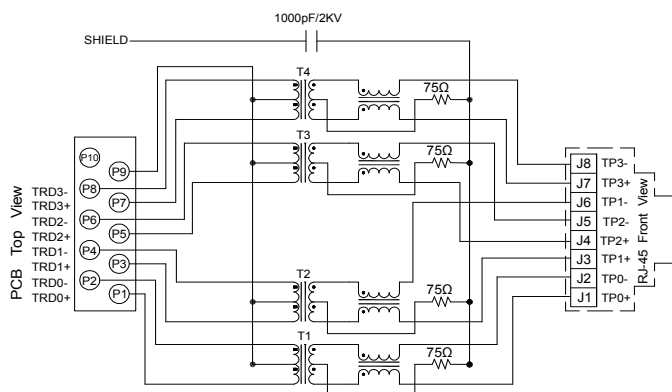


51F-1310



Schematics

53F-1305



53F-1306

