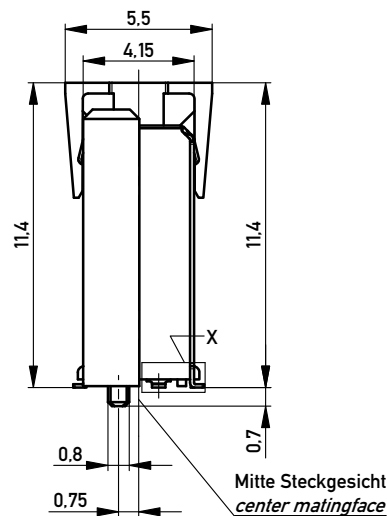
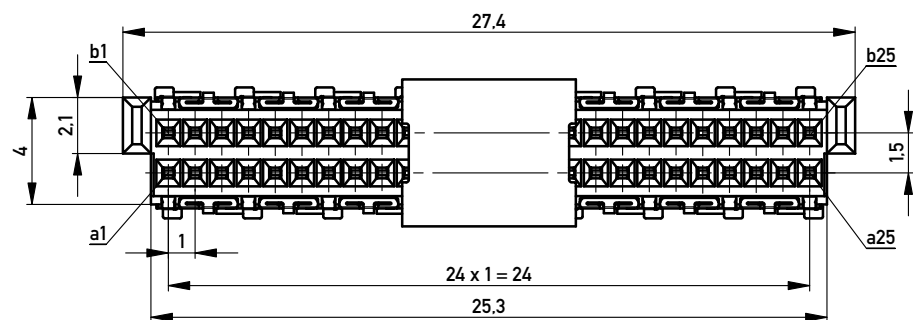
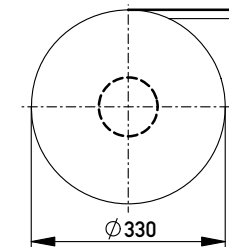


Montagehaube
hood

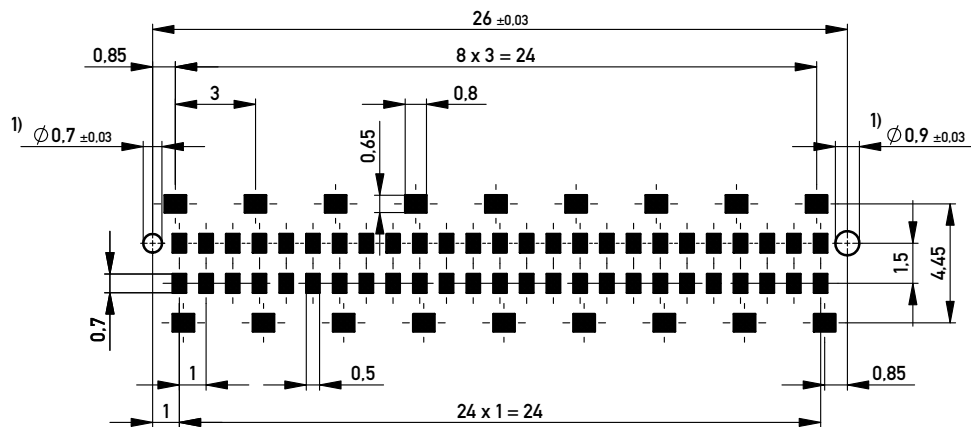


Mitte Steckgesicht
center mating face

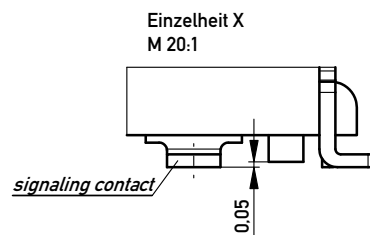
Verpackt in Gurtverpackung
Tape on Reel Packaging
Verpackungseinheit: 260 Stück
Packaging unit: 260 pcs



Leiterplatten-Layout Vorschlag / PCB-layout proposal



1) Durchmesser des Bohrers / Drill tool



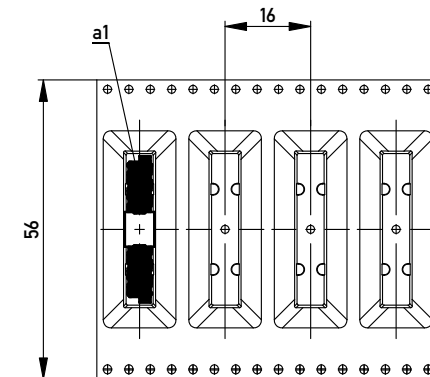
Anforderungsstufe 1
Performance Level 1

Kontaktbereich vergoldet
Mating Area gold plating

Anschlussbereich verzinkt 4-6 µm
Terminal Area 4-6 µm tin plating

Koplanarität der Anschlüsse ≤ 0.1 mm
Coplanarity Area of Termination ≤ 0.1 mm

Abspulrichtung - Reel off Direction



Information:		Tolerances	Scale 5:1		
All rights reserved. Only for Information. To ensure that this is the latest version of this drawing, please contact one of the ERNI companies before using.		 All Dimensions in mm	Designation		
			F10 MSPEED BlindMate 50 SMD		
www.ERNI.com		354180		I	
c	25.04.2013	Class		A3	
Index	Date	MSPEED			

Copyright by ERNI GmbH
Proprietary notice pursuant to ISO 9006 to be observed.