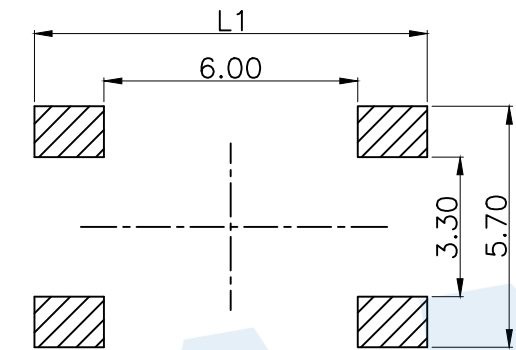
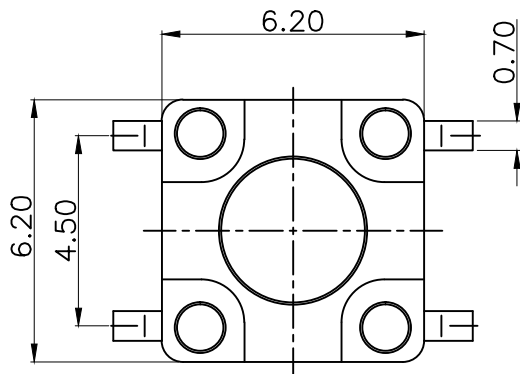
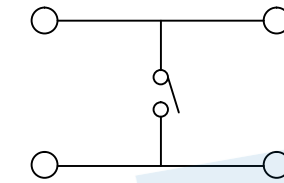


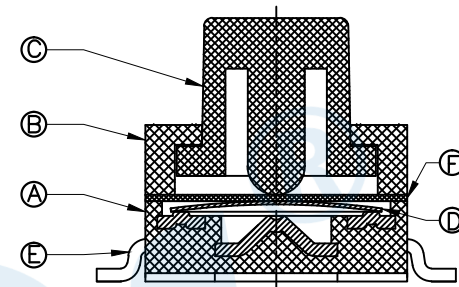
RoHS



PCB Layout(Pattern side)



Circuit Diagram

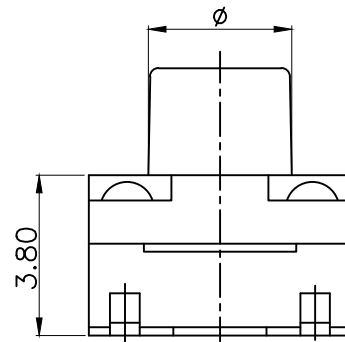
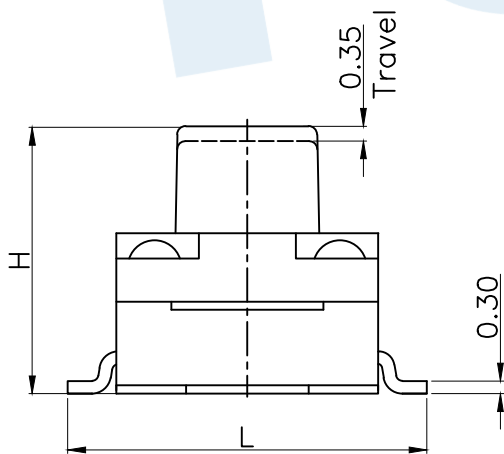


SHRAPNEL	
CODE	MATERIAL/QTY
D1	C5210/1PCS
D2	SUS/1PCS

OPERATING FORCE	
CODE	VIGOR
B2	180±50gf
B3	250±50gf
B4	350±50gf

FOOT PITCH		
CODE	L	L1
C2	8.5	11
C3	9.0	11
C4	9.5	12

TOTAL HEIGHT					
CODE	H	ø	CODE	H	ø
A1	4.3	3.5	A14	11	3.0
A2	4.5	3.5	A145	11.5	3.0
A3	5.0	3.5	A15	12	3.0
A4	5.5	3.5	A155	12.5	3.0
A5	6.0	3.5	A16	13	3.0
A6	6.5	3.3	A165	13.5	3.0
A7	7.0	3.3	A17	14	3.0
A8	7.5	3.3	A18	15	3.0
A9	8.0	3.3	A19	16	3.0
A10	8.5	3.3	A20	17	3.0
A11	9.0	3.1	A21	18	2.9
A12	9.5	3.1	A22	19	2.9
A13	10	3.1	A23	20	2.9
A135	10.5	3.0	A24	21	2.9



ⓕ	Waterproof mat	1	Silica gel	Black	
ⓔ	Terminal	4	Brass(0.3t)	Silvering	
ⓓ	Reed	1	SUS	Silver covered	
ⓒ	Button	1	PPA	Black	
ⓑ	Cover	1	PPA	Black	
Ⓐ	Base	1	PPA	Black	
NO.	Name	Number	Qty	Materil	Remarks

**YUANDI®** Yuandi Electronics Co, Ltd

design	date	name	TACT SWITCHS
Review	date	model	TS-1010S-A□B□-C□D□
Approved	date		

Drawing number: Proportion 1:1 unit mm gage number A4

modify Review Approved Tolerance not specified

angle	±2'
10~30	±0.30
5~10	±0.20
~ 5	±0.10