



30 dB Fixed Attenuator, N Male To N Female Directional Aluminum Heatsink Black Anodized Body Rated To 300 Watts Up To 1 GHz

TECHNICAL DATA SHEET

PE7031-30

**30 dB Fixed Attenuator, N Male To N Female Directional Aluminum Heatsink Black Anodized Body Rated To 300 Watts Up To 1 GHz**

**Configuration**

Design	Fixed, Directional Attenuator
Connector 1	N Male
Connector 2	N Female
Body Material and Plating	Aluminum Heatsink, Black Anodized

**Electrical Specifications**

Frequency Range, MHz	DC to 1,000
Impedance, Ohms	50
Attenuation Value, dB	30
Maximum Input Power, Watts	300
Maximum VSWR	1.4:1

**Frequency 1**

Range, MHz	DC to 1,000
Attenuation Accuracy, dB	± 0.75

**Mechanical Specifications**

**Size**

Length, in [mm]	8.37 [212.6]
Width, in [mm]	6.25 [158.75]
Height, in [mm]	6.25 [158.75]

**Connector 1**

Type	N Male
Connector Specification	MIL-STD-348

**Connector 2**

Type	N Female
Connector Specification	MIL-STD-348

Click the following link (or enter part number in "SEARCH" on website) to obtain additional part information including price, inventory and certifications: [30 dB Fixed Attenuator, N Male To N Female Directional Aluminum Heatsink Black Anodized Body Rated To 300 Watts Up To 1 GHz PE7031-30](#)

The information contained in this document is accurate to the best of our knowledge and representative of the part described herein. It may be necessary to make modifications to the part and/or the documentation of the part, in order to implement improvements. Pasternack reserves the right to make such changes as required. Unless otherwise stated, all specifications are nominal.





30 dB Fixed Attenuator, N Male To N Female Directional Aluminum Heatsink Black Anodized Body Rated To 300 Watts Up To 1 GHz

TECHNICAL DATA SHEET

PE7031-30

**Compliance Certifications** (visit [www.Pasternack.com](http://www.Pasternack.com) for current document)

**Plotted and Other Data**

Notes:

Values at 25 °C, sea level

30 dB Fixed Attenuator, N Male To N Female Directional Aluminum Heatsink Black Anodized Body Rated To 300 Watts Up To 1 GHz from Pasternack Enterprises has same day shipment for domestic and International orders. Our RF, microwave and fiber optic products maintain a 99% availability and are part of the broadest selection in the industry.

Click the following link (or enter part number in "SEARCH" on website) to obtain additional part information including price, inventory and certifications: [30 dB Fixed Attenuator, N Male To N Female Directional Aluminum Heatsink Black Anodized Body Rated To 300 Watts Up To 1 GHz PE7031-30](http://www.pasternack.com/30db-fixed-n-female-n-male-300-watts-attenuator-pe7031-30-p.aspx)

URL: <http://www.pasternack.com/30db-fixed-n-female-n-male-300-watts-attenuator-pe7031-30-p.aspx>

The information contained in this document is accurate to the best of our knowledge and representative of the part described herein. It may be necessary to make modifications to the part and/or the documentation of the part, in order to implement improvements. Pasternack reserves the right to make such changes as required. Unless otherwise stated, all specifications are nominal.



# PE7031-30 CAD Drawing

30 dB Fixed Attenuator, N Male To N Female Directional Aluminum Heatsink Black Anodized Body Rated To 300 Watts Up To 1 GHz

P/N	ATTEN.	FIGURE
PE7031-1	1 dB	1
PE7031-2	2 dB	1
PE7031-3	3 dB	1
PE7031-6	6 dB	1
PE7031-10	10 dB	1
PE7031-20	20 dB	1
PE7031-30	30 dB	1

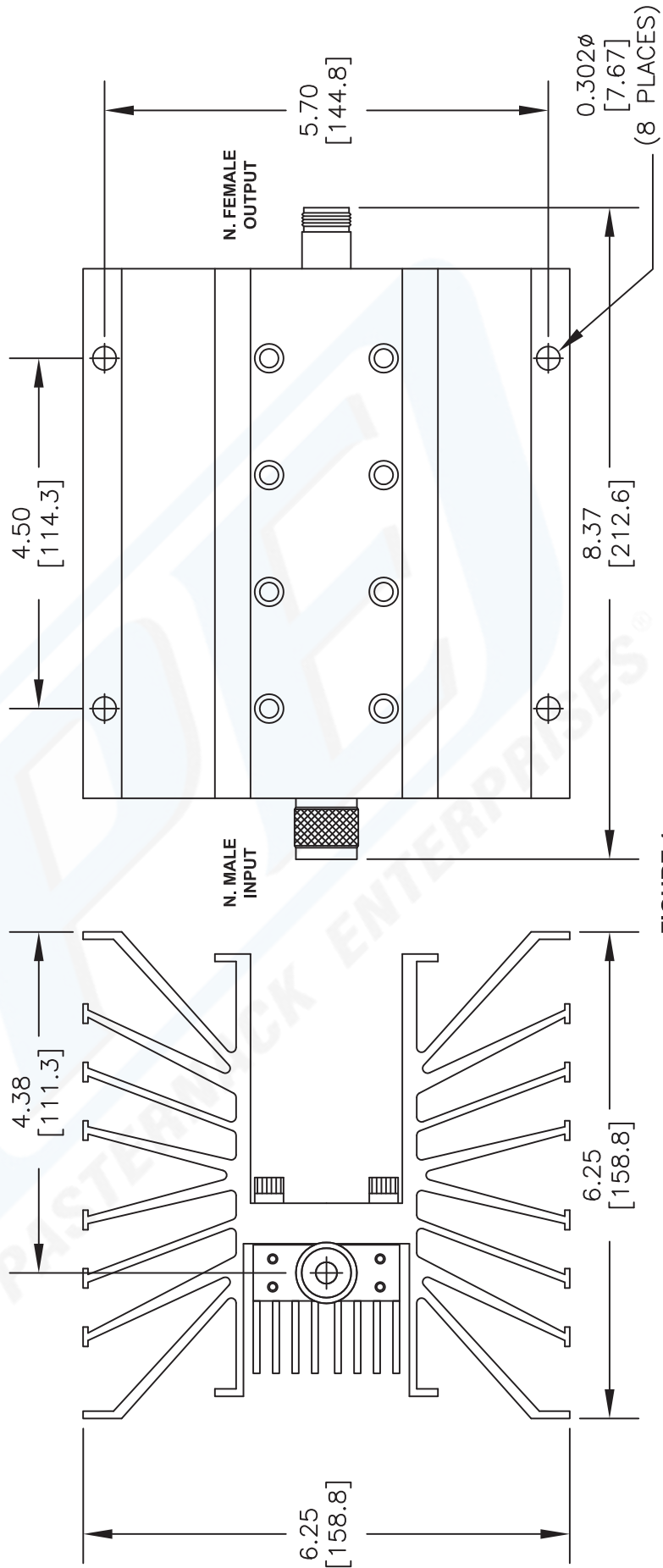


FIGURE 1

DWG TITLE

**PE7031**

NOTES:  
 1. UNLESS OTHERWISE SPECIFIED ALL DIMENSIONS ARE NOMINAL.  
 2. ALL SPECIFICATIONS ARE SUBJECT TO CHANGE WITHOUT NOTICE AT ANY TIME.  
 3. DIMENSIONS ARE IN INCHES [mm].

**PE PASTERNAK**  
 Pasternack Enterprises, Inc.  
 P.O. Box 16759 | Irvine | CA | 92623  
 Phone: (949) 261-1920 | Fax: (949) 261-7451  
 Website: www.pasternack.com | E-Mail: sales@pasternack.com

FSCM NO. 53919

CAD FILE 030812

SCALE N/A

SIZE A

2233