

UK Power (Mains) Plug, Cord Connector (Rewireable), 3 pole, Angled

**Description**

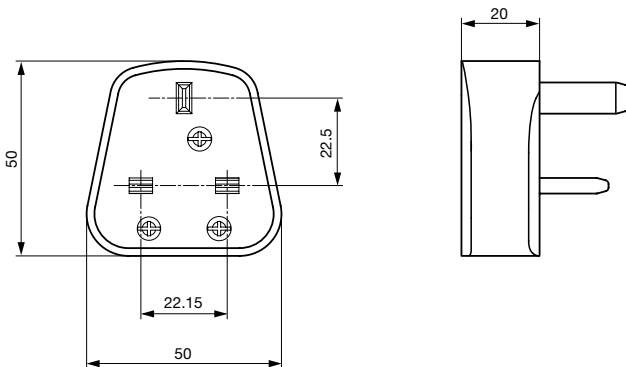
attachment plug, Clip for Pins

References[General Product Information](#)**Weblinks**[Approvals, RoHS, CHINA-RoHS, Mating Connectors, Distributor-Stock-Check, Accessories](#)**Technical Data**

Ratings IEC	13 A / 250 VAC; 50 Hz
Ratings UL/CSA	13 A / 250 VAC; 60 Hz
Allowable Operation Temp.	-25 °C to 70 °C
Degree of Protection	from front side IP 40 acc. to IEC 60529
Protection Class	Suitable for appliances with protection class 1 acc. to IEC 61140
Material: Housing	white

Dimensions

50 mm



Config. Code

Product Configurator

1363 - H - A B C 0 - D - E J

The characters are placeholders for the correspondingly keys of selections from the key tables.

1363 - H - A B C 0 - D - E J = Type

Type	Configuration key
resale product	A

1363 - H - A B C 0 - D - E J = Terminals

Terminal L	Configuration key
screw terminal	A

1363 - H - A B C 0 - D - E J = Terminals

Terminal N	Configuration key
screw terminal	A

Symbols similar as in table A

1363 - H - A B C 0 - D - E J = Terminals

Terminal Ground	Configuration key
screw terminal	A

Symbols similar as in table A

1363 - H - A B C 0 - D - E J = Color

Color	Configuration key
pure white; RAL9010	D
standard color: black	

1363 - H - A B C 0 - D - E J = Style

Style	Configuration key
for cord assembly	8

1363 - H - A B C 0 - D - E J = Condition

Condition	Configuration key
assembled	1

Packaging unit 10 Pcs