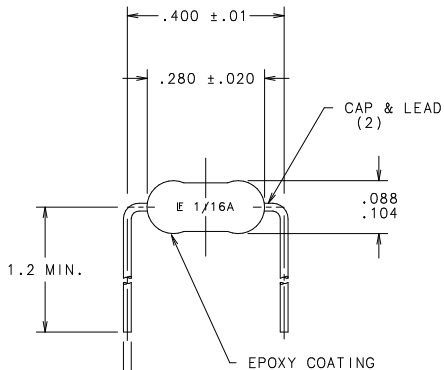


CATALOG No.	AMP (NOTE 1)	VOLTS
0252.062	1/16	125
0252.125	1/8	125
0255.250	1/4	125
0252.375	3/8	125
0252.500	1/2	125
0252.750	3/4	125
0252001	1	125
025201.5	1 1/2	125
0252002	2	125
025202.5	2 1/2	125
0252003	3	125
025203.5	3 1/2	125
0252004	4	125
0252005	5	125
0252007	7	125
0252010	10	125
0252012	12	32
0252015	15	32

ELECTRICAL CHARACTERISTICS			
% OF AMPERAGE RATING	CLEARING TIME 7A & LOWER	CLEARING TIME 10A	CLEARING TIME 12A & HIGHER
100%	4 HRS. MIN.	4 HRS. MIN.	4 HRS. MIN.
200%	1 SEC. MAX.	3 SEC. MAX.	10 SEC. MAX.

NOTES:

- UL RECOGNIZED THRU 15A & CSA CERTIFIED. INTERRUPTING CAPACITY TO 300A DC AT 125V, 50A AC AT 125V
- MATERIALS:
BODY - GLASS
COATING - INSULATING EPOXY
LEADS - SOLDER COATED COPPER
- TO BE STAMPED WITH L/F & AMPERAGE ON 2 OPPOSITE SIDES.



.025 ± .002 (1/16A-10A)
.032 ± .002 (12A-15A)

NO		COMPONENT NO		DESCRIPTION		QTY/M		U/M	
BILL OF MATERIAL									
LTR		REV		DATE		SCALE		FINISH	
N		37485D - REVISE & REDRAWN		6/11/96		2:1			
		BJJ				SUPER DRW			
CDP/IES TO		DRW		CHK		APPD		LBS/M	
1 9 18		2 10 19		3 12 20		4 13 21		5 14 23	
6 15 33		7 16 43		8 17 53					
TOLERANCE UNLESS OTHERWISE SPECIFIED TWO PLACE DEC ±.01 FRACTION ± THREE PLACE DEC ±.005 ANGULAR ±1°									
TITLE									
PICO II									
DES PLAINES, ILL INOIS 60016									
DRAWN NO. 0252000									
OUTLINE									

UNLESS OTHERWISE SPECIFIED-DIMENSIONS DO NOT INCLUDE PLATING.

DECOTES CP DIMENSIONS.-MINIMUM CP VALUE
LCS - WITHIN DIMENSIONS UNLESS SHOWN ON DRAWING,
AND - SHALL BE LOCATED TO ALLOW FOR MAXIMUM TOOL LIFE.

SEC - PROVIDES A CHARACTERISTIC THAT PROVIDES AN INDICATION
OF PROCESS PERFORMANCE. PROCEDURE FOR MEASUREMENT AND
TOLERANCE TO BE DEFINED IN LITTELFUSE INSPECTION INSTRUCTIONS.

DECOTES CP DIMENSIONS.-MINIMUM CP VALUE

CONTROLLED DOCUMENT