

APPLICATION NOTES

- To be identified with manufacturer's name, part number and date code, space permitting.
- Contact Style: Eyelet or solder cup (see part development).
- Material/Finish:
 Shell: H = FT - Carbon steel/tin plated.
 K = Z16 - Stainless steel/nickel plated dull finish.
 Insulators: Glass bead/N.A.
 Contacts: Pins, alloy 52/gold plated.
- Metric dimensions (mm) are indicated in parentheses.
- Performance:
 DWV - 750 VAC Pin-to-Shell
 I.R. - 5,000 Megohms Min @ 500 VDC
 Hermeticity - $<1 \times 10^{-7}$ scc He/sec @ 1 atmosphere differential.
- All dimensions are typical for flange types "A" and "B". "C" dim is not applicable to flange type "A".
- Glenair 287-018 will mate with any QPL MIL-DTL-24308/1, /2 and /23 receptacle of the same size and arrangement.



287-018
MIL-DTL-24308/9 Type Hermetic
Glass-Sealed D-Subminiature Connector
Rear Mount O-Ring Seal



MIL-DTL
24308

TABLE III: O-RING MATERIAL

Dash Number	Material
None	Viton
-1	Nitrile
-2	Fluorosilicone
-3	Silicone

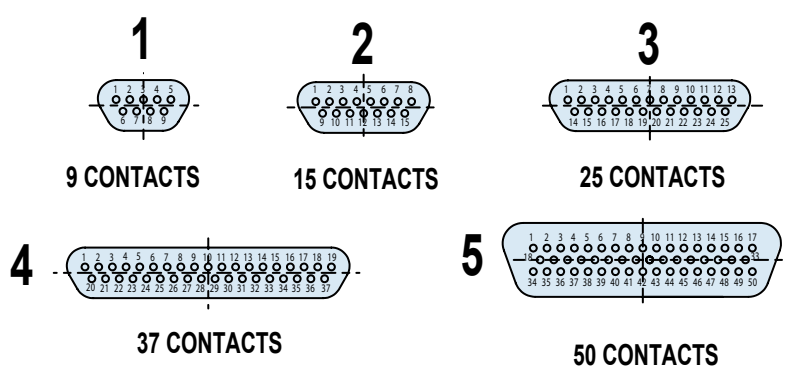
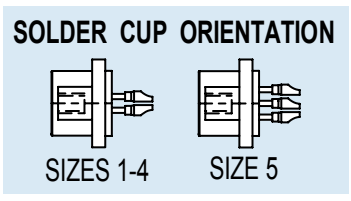
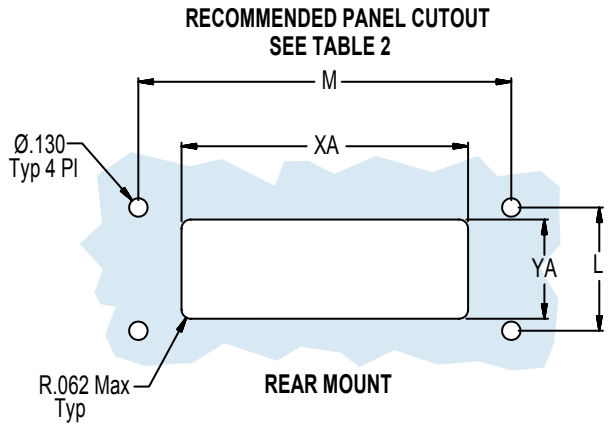


TABLE I: CONNECTOR DIMENSIONS

Shell Size	Dim A $\pm .015 (\pm 0.4)$	Dim B $\pm .004 (\pm 0.1)$	Dim C $\pm .005 (\pm 0.1)$	Dim D $\pm .004 (\pm 0.1)$	Dim E $\pm .010 (\pm 0.3)$	Dim F $\pm .010 (\pm 0.3)$	Dim G $\pm .010 (\pm 0.3)$	Dim H $\pm .006 (\pm 0.2)$	Dim K $\pm .010 (\pm 0.3)$	Dim L BSC	M BSC	N $\pm .005 (\pm 0.1)$	P $\pm .005 (\pm 0.1)$
1	1.413 (35.9)	.667 (16.9)	.984 (25.0)	.330 (8.4)	.698 (17.7)	.725 (18.4)	.369 (9.4)	.094 (2.4)	.235 (6.0)	.462 (11.7)	1.177 (29.9)	.805 (20.4)	.440 (11.2)
2	1.741 (44.2)	.993 (25.2)	1.312 (33.3)	.330 (8.4)	.698 (17.7)	.932 (23.7)	.369 (9.4)	.094 (2.4)	.235 (6.0)	.462 (11.7)	1.499 (38.1)	1.002 (25.5)	.440 (11.2)
3	2.288 (58.1)	1.535 (39.0)	1.852 (47.0)	.330 (8.4)	.698 (17.7)	1.479 (37.6)	.369 (9.4)	.103 (2.6)	.230 (5.8)	.462 (11.7)	1.972 (50.1)	1.589 (40.4)	.440 (11.2)
4	2.929 (74.4)	2.183 (55.4)	2.500 (63.5)	.330 (8.4)	.698 (17.7)	2.125 (54.0)	.369 (9.4)	.103 (2.6)	.230 (5.8)	.462 (11.7)	2.693 (68.4)	2.183 (55.4)	.440 (11.2)
5	2.835 (72.0)	2.079 (52.8)	2.406 (61.1)	.441 (11.2)	.810 (20.6)	2.000 (50.8)	.500 (12.7)	.103 (2.6)	.230 (5.8)	.654 (16.6)	2.599 (66.0)	2.250 (57.2)	.570 (14.5)



HERMETIC LEAK RATE MOD CODES

Designator	Required Leak Rate
-585A	1 x 10 ⁻¹⁰ cc's Helium per second
-585B	1 x 10 ⁻⁹ cc's Helium per second
-585C	1 x 10 ⁻⁸ cc's Helium per second

TABLE II: PANEL CUT-OUT

Shell Size	Dim XA	Dim YA	Dim L	Dim M
1	.745 (18.9)	.385 (9.8)	.462 (11.7)	1.177 (29.9)
2	.950 (24.1)	.385 (9.8)	.462 (11.7)	1.499 (38.1)
3	1.495 (38.0)	.385 (9.8)	.462 (11.7)	1.972 (50.1)
4	2.145 (54.5)	.385 (9.8)	.462 (11.7)	2.693 (68.4)
5	2.015 (51.2)	.520 (13.2)	.654 (16.6)	2.599 (66.0)

