

Domiled[™]

Synonymous with function and performance, the Domiled[™] series is perfectly suited for a variety of cross-industrial applications due to its small package outline, durability and superior brightness.

Features:

- > High brightness surface mount LED.
- > 120° viewing angle.
- > Small package outline (LxWxH) of 3.2 x 2.8 x 1.8mm.
- > Qualified according to JEDEC moisture sensitivity Level 2.
- > Compatible to IR reflow soldering.
- > Environmental friendly; RoHS compliance.

Applications:

- > Automotive: interior applications, eg: switches, telematics, climate control system, dashboard, etc.
- > Consumer Appliances: LCD illumination as in PDAs, LCD TV.
- > Communication: indicator and backlight in mobilephone.
- > Display: full color display video notice board.
- > Industry: white goods (eg: Oven, microwave, etc.).



Part Ordering Number	Chip Technology / Color	Viewing Angle°	Luminous Intensity @ IF = 20mA IV (mcd)
DDH-CJS-PQ2-1	AllnGaP	120	45.0 - 112.5
• DDH-CJS-P1	Hyper-red, 640nm		45.0 - 56.0
• DDH-CJS-P2			56.0 - 71.5
• DDH-CJS-Q1			71.5 - 90.0
• DDH-CJS-Q2			90.0 - 112.5
DDS-CJS-QR2-1	AllnGap	120	71.5 - 180.0
• DDS-CJS-Q1	Super-red, 632nm		71.5 - 90.0
• DDS-CJS-Q2			90.0 - 112.5
• DDS-CJS-R1			112.5 - 140.0
• DDS-CJS-R2			140.0 - 180.0
DDS-SJS-QR2-1			71.5 - 180.0
• DDS-SJS-Q1			71.5 - 90.0
• DDS-SJS-Q2			90.0 - 112.5
• DDS-SJS-R1			112.5 - 140.0
• DDS-SJS-R2			140.0 - 180.0
DDR-CJS-RS2-1	AllnGap	120	112.5 - 285.0
• DDR-CJS-R1	Red, 625nm		112.5 - 140.0
• DDR-CJS-R2			140.0 - 180.0
• DDR-CJS-S1			180.0 - 224.0
• DDR-CJS-S2			224.0 - 285.0
DDR-SJS-RS2-1			112.5 - 285.0
• DDR-SJS-R1			112.5 - 140.0
• DDR-SJS-R2			140.0 - 180.0
• DDR-SJS-S1			180.0 - 224.0
• DDR-SJS-S2			224.0 - 285.0
DDR-TJS-TU2-1	TS AllnGap	120	285.0 - 715.0
• DDR-TJS-T1	Red, 625nm		285.0 - 335.0
• DDR-TJS-T2			335.0 - 450.0
• DDR-TJS-U1			450.0 - 560.0
• DDR-TJS-U2			560.0 - 715.0
DDA-CJS-RS2-1	AllnGap	120	112.5 - 285.0
• DDA-CJS-R1	Amber, 615nm		112.5 - 140.0
• DDA-CJS-R2			140.0 - 180.0
• DDA-CJS-S1			180.0 - 224.0
• DDA-CJS-S2			224.0 - 285.0
DDA-SJS-ST2-1			180.0 - 450.0
• DDA-SJS-S1			180.0 - 224.0
• DDA-SJS-S2			224.0 - 285.0
• DDA-SJS-T1			285.0 - 355.0
• DDA-SJS-T2			355.0 - 450.0

Part Ordering Number	Chip Technology / Color	Viewing Angle°	Luminous Intensity @ IF = 20mA IV (mcd)
DDO-CJS-RS2-1	AllnGap	120	112.5 - 285.0
• DDO-CJS-R1	Orange, 605nm		112.5 - 140.0
• DDO-CJS-R2			140.0 - 180.0
• DDO-CJS-S1			180.0 - 224.0
• DDO-CJS-S2			224.0 - 285.0
DDO-SJS-ST2-1			180.0 - 450.0
• DD0-SJS-S1			180.0 - 224.0
• DD0-SJS-S2			224.0 - 285.0
• DD0-SJS-T1			285.0 - 355.0
• DD0-SJS-T2			355.0 - 450.0
DDY-CJS-RS2-1	AllnGap	120	112.5 - 285.0
• DDY-CJS-R1	Yellow, 587nm		112.5 - 140.0
• DDY-CJS-R2			140.0 - 180.0
• DDY-CJS-S1			180.0 - 224.0
• DDY-CJS-S2			224.0 - 285.0
DDY-SJS-ST2-1			180.0 - 450.0
• DDY-SJS-S1			180.0 - 224.0
• DDY-SJS-S2			224.0 - 285.0
• DDY-SJS-T1			285.0 - 355.0
• DDY-SJS-T2			355.0 - 450.0
DDY-TJS-TU2-1	TS AllnGaP	120	285.0 - 715.0
• DDY-TJS-T1	Yellow, 590nm		285.0 - 355.0
• DDY-TJS-T2			355.0 - 450.0
• DDY-TJS-U1			450.0 - 560.0
• DDY-TJS-U2			560.0 - 715.0
DDG-CJS-PQ2-1	AllnGap	120	45.0 - 112.5
• DDG-CJS-P1	Green, 572nm		45.0 - 56.0
• DDG-CJS-P2			56.0 - 71.5
• DDG-CJS-Q1			71.5 - 90.0
• DDG-CJS-Q2			90.0 - 112.5
DDG-SJS-QR2-1			71.5 - 180.0
• DDG-SJS-Q1			71.5 - 90.0
• DDG-SJS-Q2			90.0 - 112.5
• DDG-SJS-R1			112.5 - 140.0
• DDG-SJS-R2			140.0 - 180.0
DDP-SJS-LM2-1	AllnGap	120	11.2 - 28.5
• DDP-SJS-L1	Pure Green, 560nm		11.2 - 14.0
• DDP-SJS-L2			14.0 - 18.0
• DDP-SJS-M1			18.0 - 22.4
• DDP-SJS-M2			22.4 - 28.5

Part Ordering Number	Chip Technology / Color	Viewing Angle°	Luminous Intensity @ IF = 20mA IV (mcd)
DDP-SJS-MN2-1	AllnGap	120	18.0 - 45.0
• DDP-SJS-M1	Pure Green, 560nm		18.0 - 22.4
• DDP-SJS-M2			22.4 - 28.5
• DDP-SJS-N1			28.5 - 35.5
• DDP-SJS-N2			35.5 - 45.0

NOTE

1. All part number above comes in a quantity of 2000 units per reel.
2. Other luminous intensity groups are also available upon request.
3. Luminous intensity is measured with an accuracy of $\pm 11\%$.
4. Wavelength binning is carried for all units as per the wavelength-binning table. Only one wavelength group is allowed for each reel.
5. An optional Vf binning is also available upon request. Binning scheme is as per following table.

Wavelength Grouping

Color	Group	Wavelength distribution (nm)
DDH; Hyper-red	Full	636 - 646
DDS; Super-red	Full	625 - 640
DDR-CJ, -SJ; Red (AS)	Full	620 - 630
DDR-TJ; Red (TS)	Full	620 - 635
DDA; Amber	Full	610 - 621
	W	610 - 615
	X	615 - 621
DDO; Orange	Full	600 - 612
	W	600 - 603
	X	603 - 606
	Y	606 - 609
	Z	609 - 612
DDY; Yellow	Full	582 - 594
	W	582 - 585
	X	585 - 588
	Y	588 - 591
	Z	591 - 594
DDG; Green	Full	564.5 - 576.5
	W	564.5 - 567.5
	X	567.5 - 570.5
	Y	570.5 - 573.5
	Z	573.5 - 576.5
DDP; Pure Green	Full	552.5 - 564.5
	W	552.5 - 555.5
	X	555.5 - 558.5
	Y	558.5 - 561.5
	Z	561.5 - 564.5

Dominant wavelength is measured with an accuracy of ± 1 nm.

Electrical Characteristics at Ta=25°C

Part Number	Vf @ If = 20mA		Vr @ Ir = 10uA
	Typ. (V)	Max. (V)	Min. (V)
DDH-CJS, DDS-CJS, DDR-CJS, DDA-CJS, DDO-CJS, DDY-CJS, DDG-CJS	1.9	2.3	12
DDS-SJS, DDR-SJS, DDA-SJS, DDO-SJS, DDY-SJS, DDG-SJS, DDP-SJS	1.8	2.3	12
DDR-TJS, DDY-TJS	2.1	2.6	12

Forward voltage, Vf is measured with an accuracy of ± 0.1 V.

Vf Binning (Optional)

Vf Bin @ 20mA	Forward Voltage (V)
01	1.55 ... 1.85
02	1.85 ... 2.15
03	2.15 ... 2.45
04	2.45 ... 2.75

Forward voltage, Vf is measured with an accuracy of ± 0.1 V. Please consult sales & marketing for special part number to incorporate Vf binning.

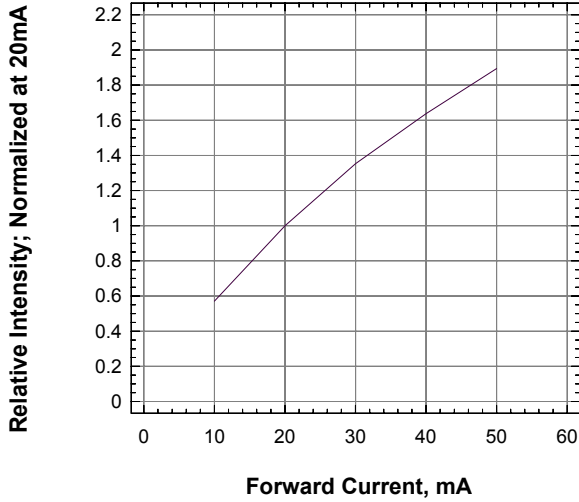
Absolute Maximum Ratings

	Maximum Value	Unit
DC forward current	30	mA
Peak pulse current; (tp ≤ 10μs, Duty cycle = 0.005)	DDx-SJS/DDx-TJS : DDx-CJS :	mA
Reverse voltage	12	V
ESD threshold (HBM)	2	KV
LED junction temperature	125	°C
Operating temperature	-40 ... +100	°C
Storage temperature	-40 ... +100	°C
Power dissipation (at room temperature)	75	mW
Thermal resistance		
- Junction / ambient, R _{th JA}	500	K/W
- Junction / solder point, R _{th JS}	280	K/W
(Mounting on FR4 PCB, pad size ≥ 16 mm ² per pad)		

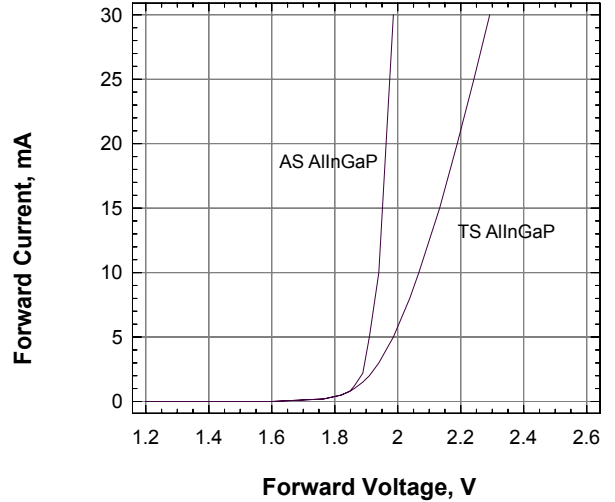
Characteristics (Ta = 25 °C)

	Symbol	Part Number	Value	Unit
Temperature coefficient of λ_{dom} (typ) $I_F = 20\text{mA}; 0\text{ °C} \leq T \leq 100\text{ °C}$	$TC_{\lambda_{dom}}$ (typ)	DDR-CJS, DDR-SJS	0.03	nm / K
		DDS-CJS, DDS-SJS	0.01	
		DDO-CJS, DDO-SJS	0.04	
		DDY-CJS, DDY-SJS	0.09	
		DDA-CJS, DDA-SJS	0.05	
		DDG-CJS, DDG-SJS	0.10	
		DDH-CJS	0.01	
		DDR-TJS	0.02	
		DDY-TJS	0.09	
		DDP-SJS	0.10	
Temperature coefficient of V_F (typ) $I_F = 20\text{mA}; 0\text{ °C} \leq T \leq 100\text{ °C}$	TC_V	DDR-CJS, DDR-SJS	-4.3	mV / K
		DDS-CJS, DDS-SJS	-2.3	
		DDO-CJS, DDO-SJS	-1.6	
		DDY-CJS, DDY-SJS	-3.3	
		DDA-CJS, DDA-SJS	-3.2	
		DDG-CJS, DDG-SJS	-0.2	
		DDH-CJS	-1.6	
		DDR-TJS	-2.0	
		DDY-TJS	-1.6	
		DDP-SJS	-0.2	
Temperature coefficient of I_V (typ) $I_F = 20\text{mA}; 0\text{ °C} \leq T \leq 100\text{ °C}$	TC_{I_V}	DDR-CJS, DDR-SJS	-0.7	mcd / K
		DDS-CJS, DDS-SJS	-0.4	
		DDO-CJS, DDO-SJS	-1.5	
		DDY-CJS, DDY-SJS	-2.3	
		DDA-CJS, DDA-SJS	-1.1	
		DDG-CJS, DDG-SJS	-0.8	
		DDH-CJS	-0.3	
		DDR-TJS	-1.8	
		DDY-TJS	-5.1	
		DDP-SJS	-0.4	

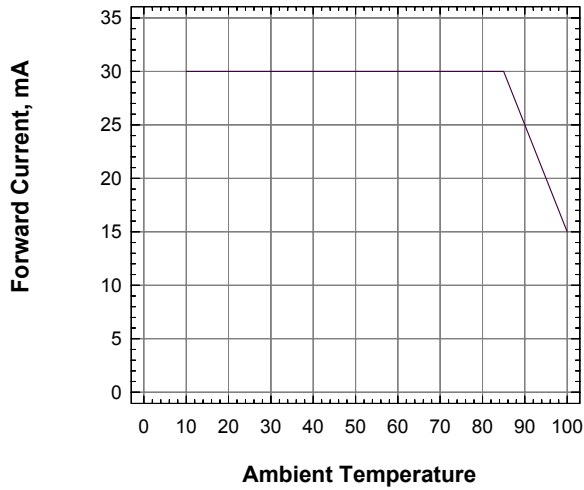
Relative Luminous Intensity Vs Forward Current



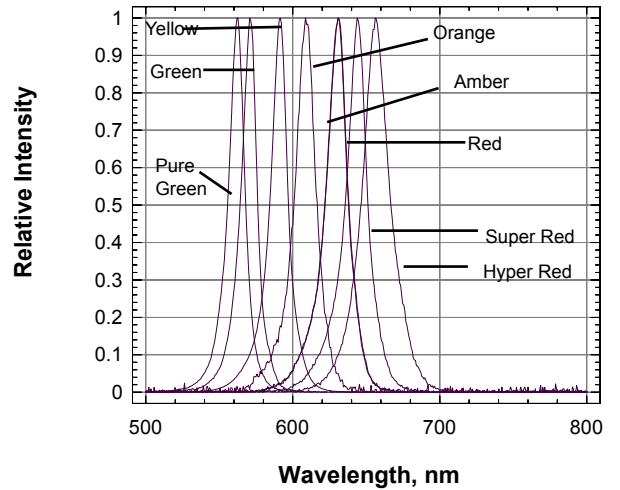
Forward Current Vs Forward Voltage



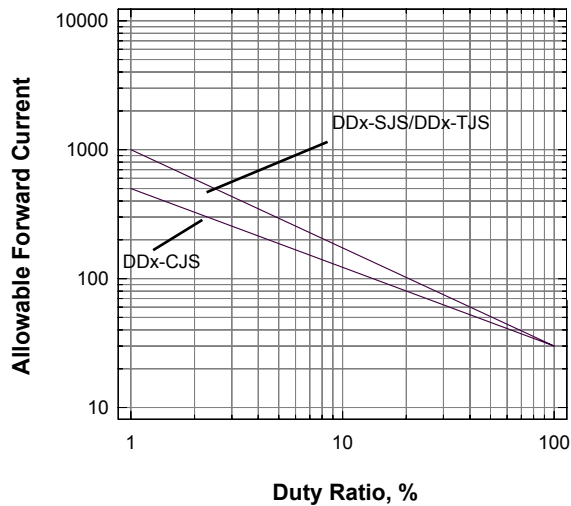
Maximum Current Vs Temperature



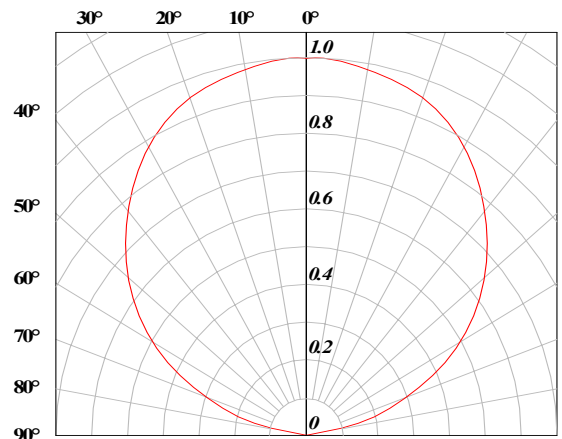
Relative Intensity Vs Wavelength



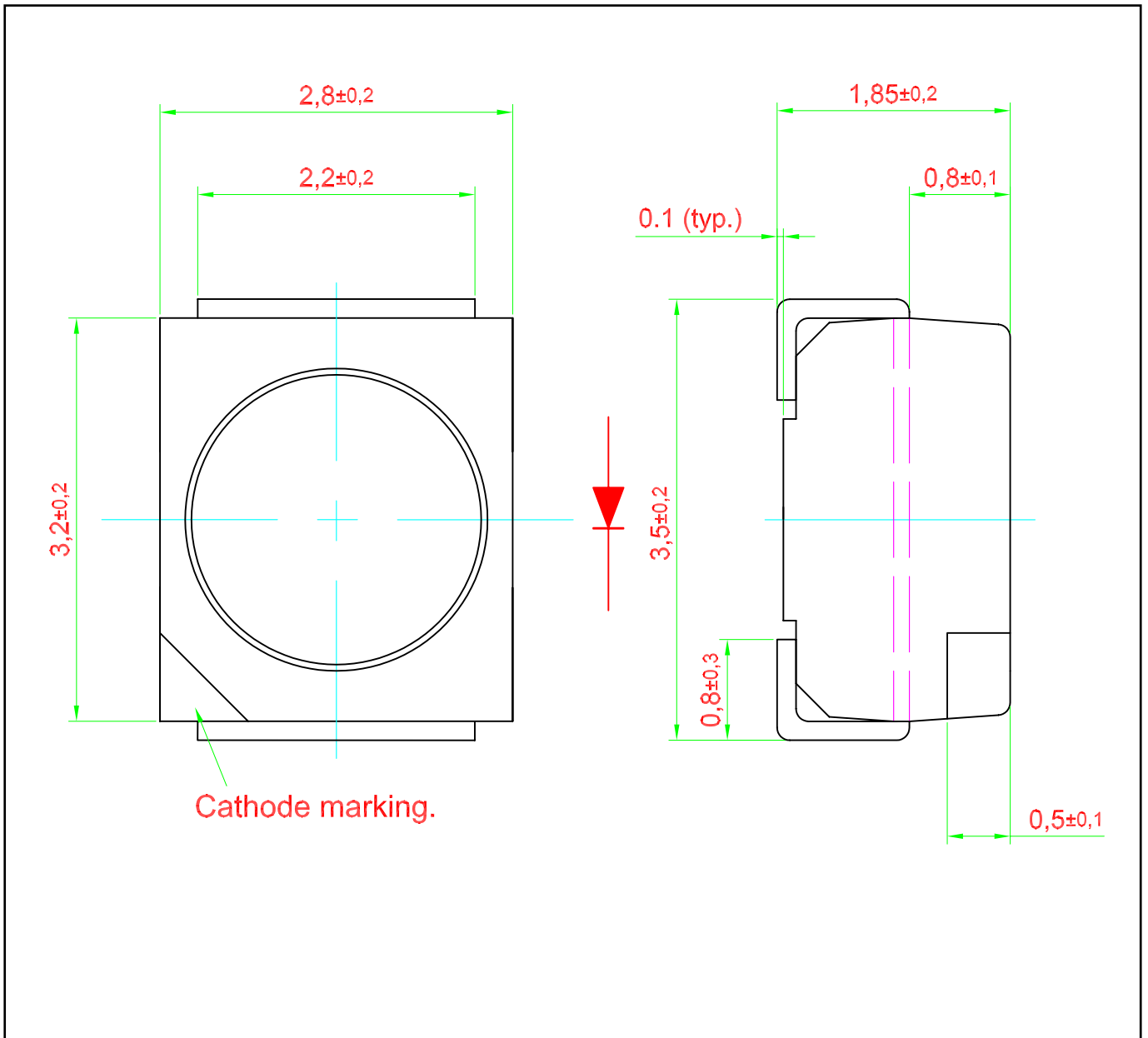
Allowable Forward Current Vs Duty Ratio (Ta= 25 Deg C)



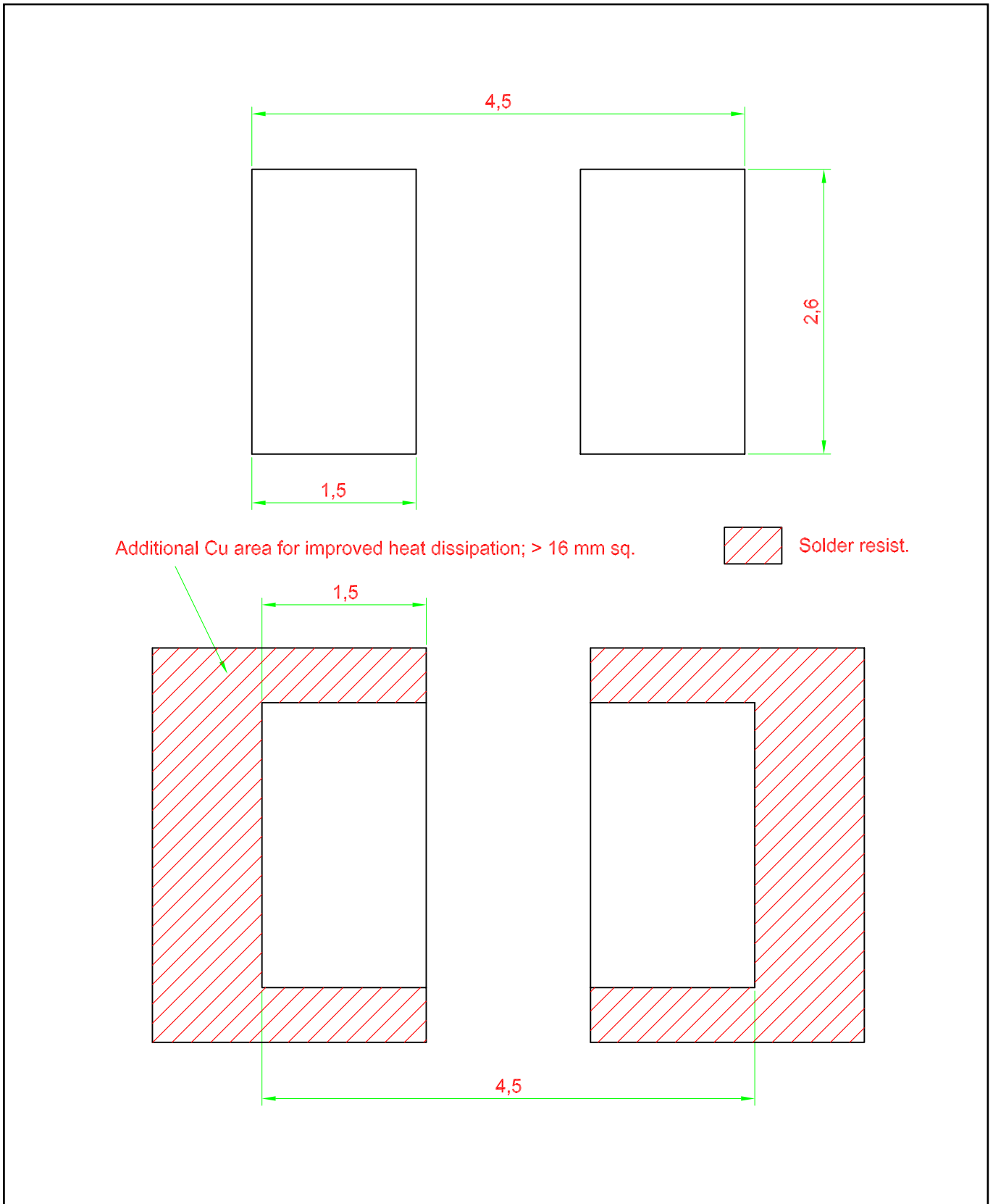
Radiation Pattern



DomiLED™ • AllnGap : DDx-xJS Package Outlines

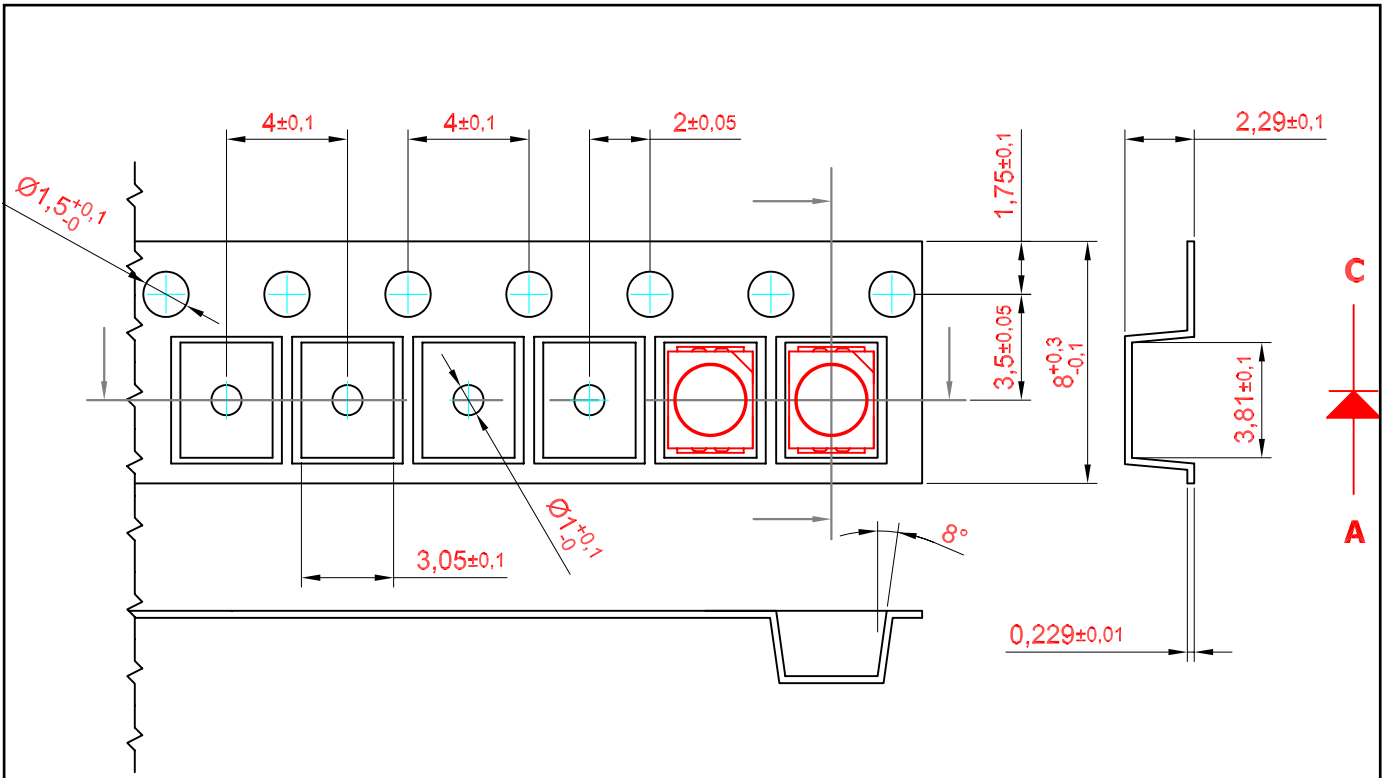


Recommended Solder Pad



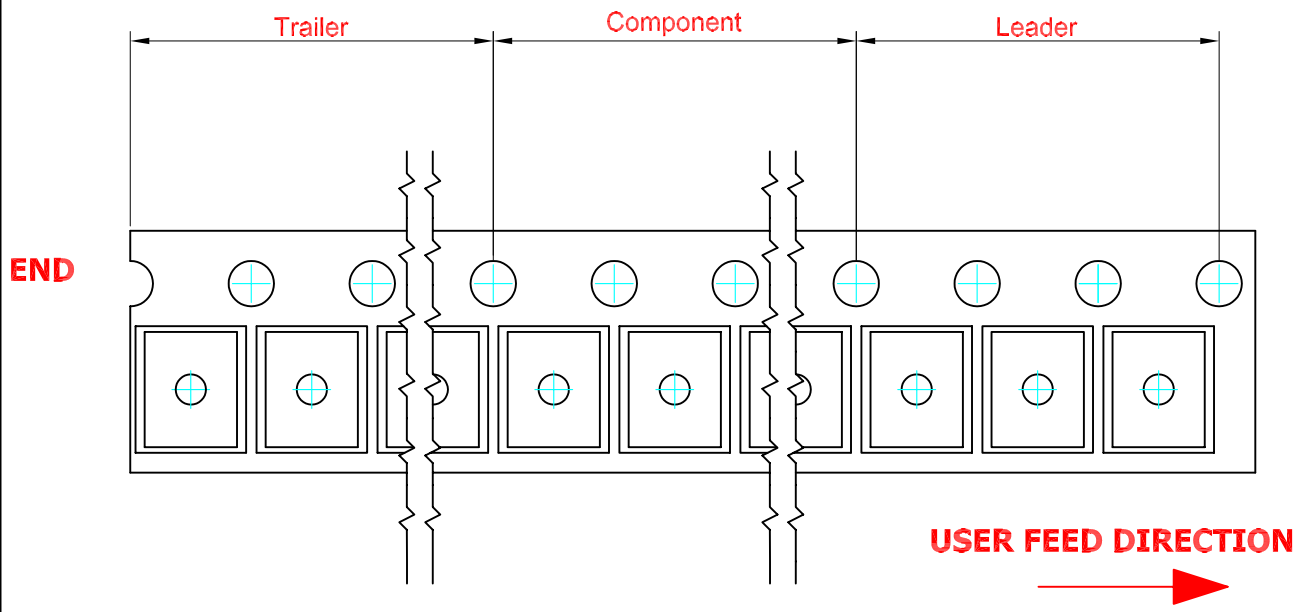
Taping and orientation

- Reels come in quantity of 2000 units.
- Reel diameter is 180 mm.

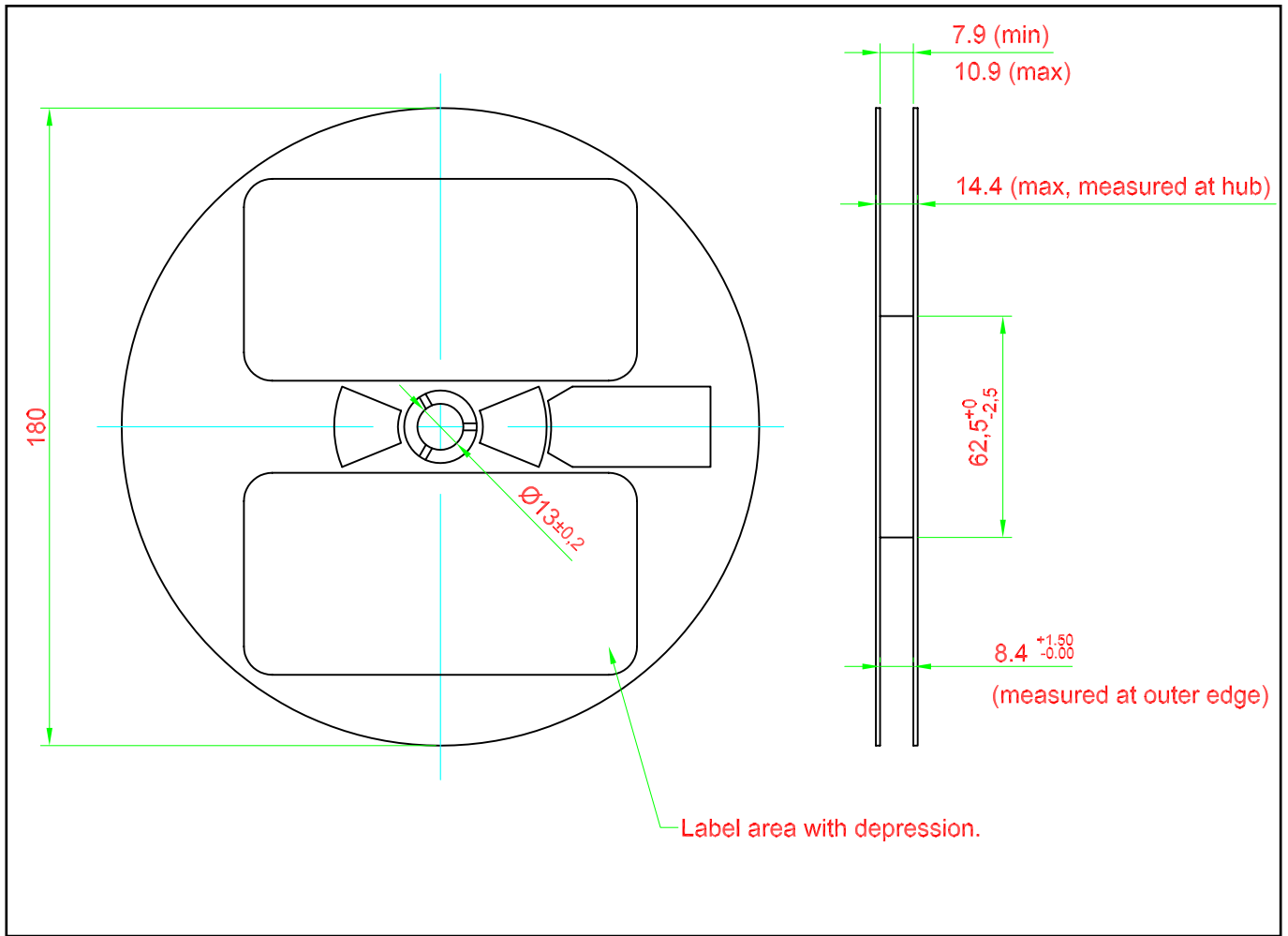


200 mm min. for $\varnothing 180$ reel.
200 mm min. for $\varnothing 330$ reel.

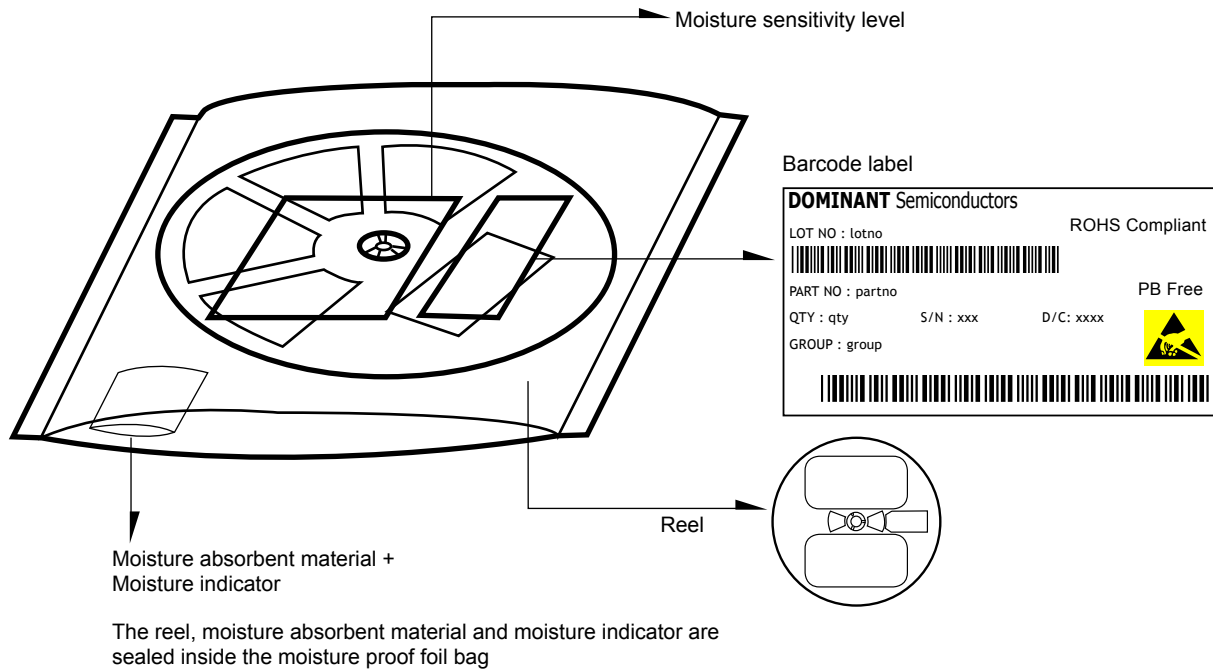
480 mm min. for $\varnothing 180$ reel.
960 mm min. for $\varnothing 330$ reel.



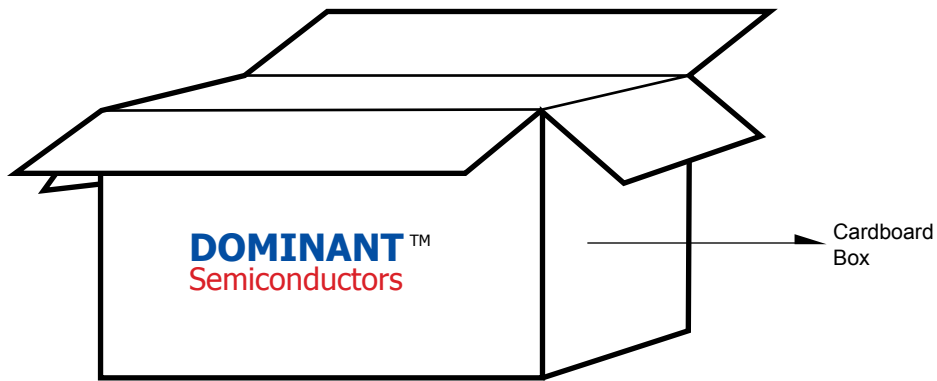
Packaging Specification



Packaging Specification



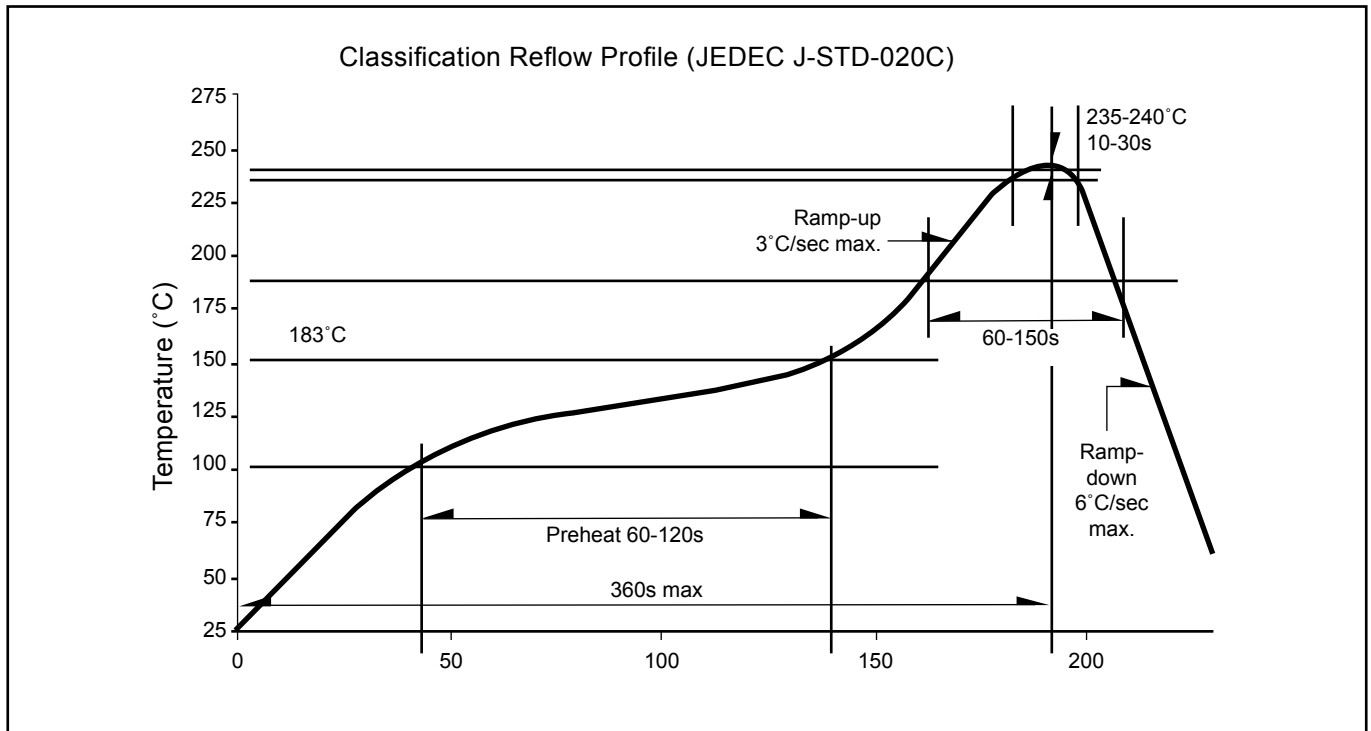
	Average 1pc DomiLED/Multi DomiLED	1 completed bag (2000pcs)
Weight (gram)	0.034	190 ± 10



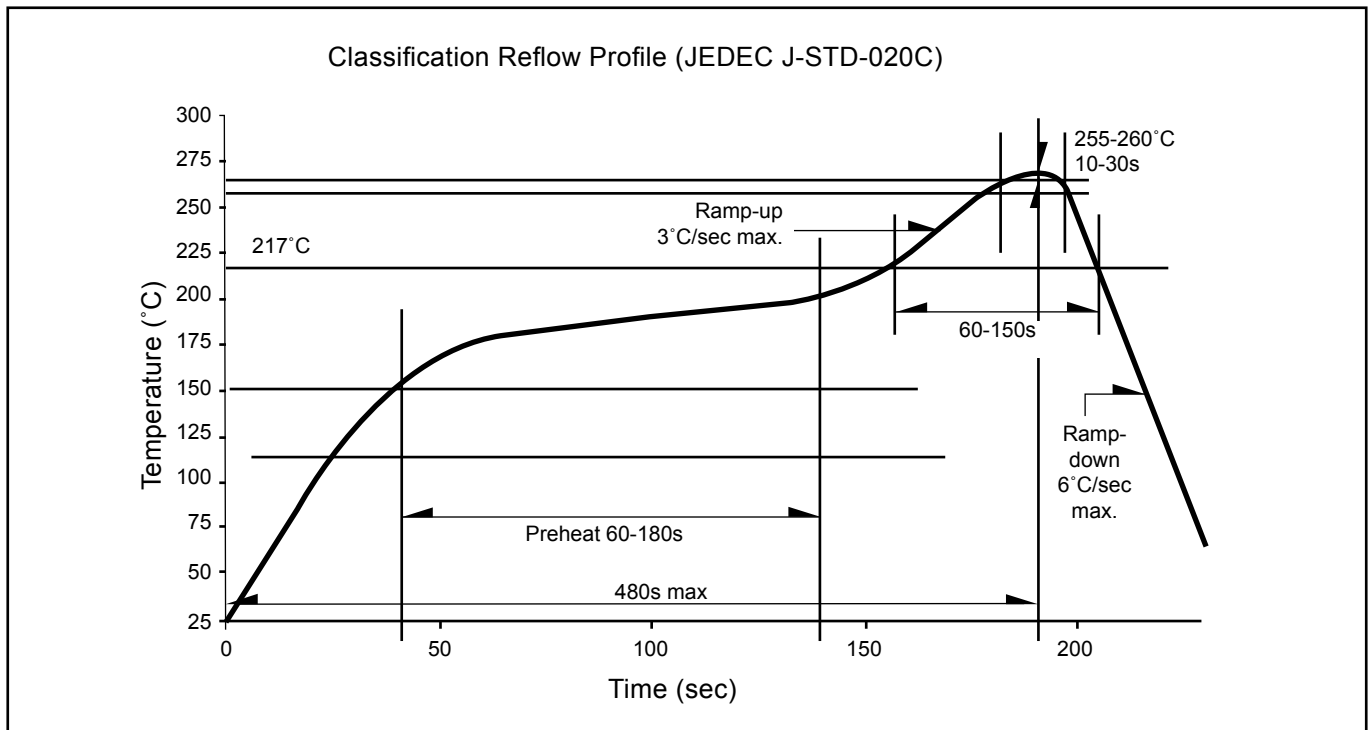
For DomiLED™

Cardboard Box Size	Dimensions (mm)	Empty Box Weight (kg)	Reel / Box	Quantity / Box (pcs)
Small	300 x 250 x 250	0.58	15 reels MAX	30,000 MAX
Large	416 x 516 x 476	1.74	55 reels MAX	110,000 MAX

Recommended Sn-Pb IR-Reflow Soldering Profile



Recommended Pb-free Soldering Profile



Revision History

Page	Subjects	Date of Modification
	New Format	06 Sept 2005
7	Graph: Maximum Current Vs Temperature. When Ambient Temperature=100°; Forward Current=15mA	06 Mar 2006
7	Add Characteristics table	07 June 2007
8	Add Allowable Forward Current Vs Duty Ratio Graph	07 June 2007

NOTE

All the information contained in this document is considered to be reliable at the time of publishing. However, DOMINANT Semiconductors does not assume any liability arising out of the application or use of any product described herein.

DOMINANT Semiconductors reserves the right to make changes at any time without prior notice to any products in order to improve reliability, function or design.

DOMINANT Semiconductors products are not authorized for use as critical components in life support devices or systems without the express written approval from the Managing Director of DOMINANT Semiconductors.

About Us

DOMINANT Semiconductors is a dynamic Malaysian Corporation that is among the world's leading SMT LED Manufacturers. An excellence – driven organization, it offers a comprehensive product range for diverse industries and applications. Featuring an internationally certified quality assurance acclaim, DOMINANT's extra bright LEDs are perfectly suited for various lighting applications in the automotive, consumer and communications as well as industrial sectors. With extensive industry experience and relentless pursuit of innovation, DOMINANT's state-of-art manufacturing, research and testing capabilities have become a trusted and reliable brand across the globe. More information about DOMINANT Semiconductors can be found on the Internet at <http://www.dominant-semi.com>.

Please contact us for more information:

Head Quarter

DOMINANT Semiconductors Sdn. Bhd.
Lot 6, Batu Berendam, FTZ Phase III, 75350 Melaka, Malaysia
Tel: (606) 283 3566 Fax: (606) 283 0566
E-mail: sales@dominant-semi.com

DOMINANT China Sales Office

DOMINANT Semiconductors (Shenzhen) Co. Ltd.
24BC Newbaohui Building, No. 1007 West Nanhai Blvd., Nanshan, Shenzhen, China P.C. 518054
Tel: +86 (755) 86031785 / +86 (755) 86031786 Fax: +86 (755) 86031789
E-mail: sales_china@dominant-semi.com

DOMINANT Korea Sales Office

DOMINANT Semiconductors Korea Inc.
902 Sunil Technopia, 440 Sangdaewon-dong, Jungwon-gu, Sungnam-si, Kyunggi-do, Korea 462726
Tel: 82-31-777-3978 Fax: 82-31-777-3976
E-mail: sales_korea@dominant-semi.com

