

## Description

This Linear LED driver is designed to meet the stringent requirements of automotive applications.

The BCR402UW6Q monolithically integrates a transistor, diodes and resistors to function as a Constant Current Regulator (CCR) for LED driving. The device regulates with a preset 20mA nominal that can be adjusted with an external resistor up to 100mA. It is designed for driving LEDs in strings and will reduce current at increasing temperatures to self-protect. Operating as a series linear CCR for LED string current control, it can be used in applications with supply voltages up to 40V.

With no need for additional external components, this CCR is fully integrated into a SOT26/SC74R minimizing PCB area and component count.

## Applications

Constant current regulation (CCR) in automotive LED lighting:

- Interior and Exterior Automotive LED Lighting
- Dome and Mood Lighting
- Puddle Lighting
- Side Marker Lights

## Features

- LED Constant Current Regulator Using PNP Emitter-Follower with Emitter Resistor to Current Limit
- $I_{OUT} = 20mA \pm 10\%$  Constant Current (Preset)
- $I_{OUT}$  up to 100mA Adjustable with an External Resistor
- $V_S = 40V$  Supply Voltage
- $P_D$  up to 1W in SOT26/SC74R
- LED Dimming Using PWM up to 25kHz
- Negative Temperature Coefficient (NTC) Reduces  $I_{OUT}$  with Increasing Temperature
- Parallel Devices to Increase Regulated Current
- **Totally Lead-Free & Fully RoHS Compliant (Notes 1 & 2)**
- **Halogen and Antimony Free. "Green" Device (Note 3)**
- **Qualified to AEC-Q101 Standards for High Reliability**
- **PPAP Capable (Note 4)**

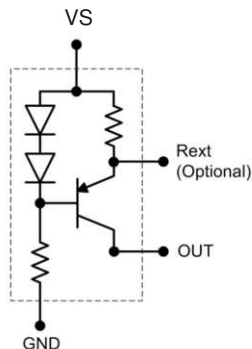
## Mechanical Data

- Case: SOT26/SC74R
- Case Material: Molded Plastic. "Green" Molding Compound. UL Flammability Rating 94V-0
- Moisture Sensitivity: Level 1 per J-STD-020
- Terminals: Finish - Matte Tin Plated Leads, Solderable per MIL-STD-202, Method 208
- Weight: 0.018 grams (Approximate)

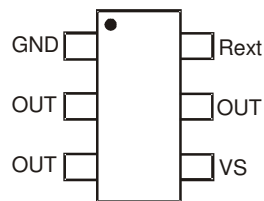
SOT26/SC74R



Top View



Internal Device Schematic



Top View Pin-Out

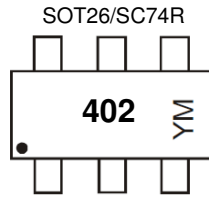
| Pin Name  | Pin Function                                   |
|-----------|--|
| VS        | Supply Voltage                                 |
| OUT       | Regulated Output Current                       |
| $R_{ext}$ | External Resistor for Adjusting Output Current |
| GND       | Power Ground                                   |

## Ordering Information (Note 5)

| Product      | Compliance | Marking | Reel Size (inches) | Tape Width (mm) | Quantity per Reel |
|--------------|------------|---------|--------------------|-----------------|-------------------|
| BCR402UW6Q-7 | Automotive | 402     | 7                  | 8               | 3,000             |

- Notes:
1. No purposely added lead. Fully EU Directive 2002/95/EC (RoHS) & 2011/65/EU (RoHS 2) compliant.
  2. See [http://www.diodes.com/quality/lead\\_free.html](http://www.diodes.com/quality/lead_free.html) for more information about Diodes Incorporated's definitions of Halogen- and Antimony-free, "Green" and Lead-free.
  3. Halogen- and Antimony-free "Green" products are defined as those which contain <900ppm bromine, <900ppm chlorine (<1500ppm total Br + Cl) and <1000ppm antimony compounds.
  4. Automotive products are AEC-Q101 qualified and are PPAP capable. Refer to [http://www.diodes.com/product\\_compliance\\_definitions.html](http://www.diodes.com/product_compliance_definitions.html).
  5. For packaging details, go to our website at <http://www.diodes.com/products/packages.html>.

## Marking Information



402 = Part Marking (See Ordering Information)  
 YM = Date Code Marking  
 Y = Year (ex: D = 2016)  
 M = Month (ex: 9 = September)

### Date Code Key

| Year | 2016 | 2017 | 2018 | 2019 | 2020 | 2021 | 2022 |
|------|------|------|------|------|------|------|------|
| Code | D    | E    | F    | G    | H    | I    | J    |

| Month | Jan | Feb | Mar | Apr | May | Jun | Jul | Aug | Sep | Oct | Nov | Dec |
|-------|-----|-----|-----|-----|-----|-----|-----|-----|-----|-----|-----|-----|
| Code  | 1   | 2   | 3   | 4   | 5   | 6   | 7   | 8   | 9   | O   | N   | D   |

## Absolute Maximum Ratings (Voltage relative to GND, @T<sub>A</sub> = +25°C, unless otherwise specified.)

| Characteristic                        | Symbol           | Value | Unit |
|---------------------------------------|------------------|-------|------|
| Supply Voltage                        | V <sub>S</sub>   | 40    | V    |
| Output Current                        | I <sub>OUT</sub> | 100   | mA   |
| Output Voltage                        | V <sub>OUT</sub> | 40    | V    |
| Reverse Voltage Between All Terminals | V <sub>R</sub>   | 0.5   | V    |

## Thermal Characteristics

| Characteristic   | Symbol                            | Value       | Unit  |
|--|-----------------------------------|-------------|-------|
| Power Dissipation  | P <sub>D</sub>                    | (Note 6)    | 1,190 |
|  |                                   | (Note 7)    | 912   |
| Thermal Resistance, Junction to Ambient                  | R <sub>θJA</sub>                  | (Note 6)    | 105   |
|  |                                   | (Note 7)    | 137   |
| Thermal Resistance, Junction to Lead                     | R <sub>θJL</sub>                  | 50          | °C/W  |
| Recommended Operating Junction Temperature Range         | T <sub>J</sub>                    | -55 to +150 |       |
| Maximum Operating Junction and Storage Temperature Range | T <sub>J</sub> , T <sub>STG</sub> | -65 to +150 | °C    |

## ESD Ratings (Note 9)

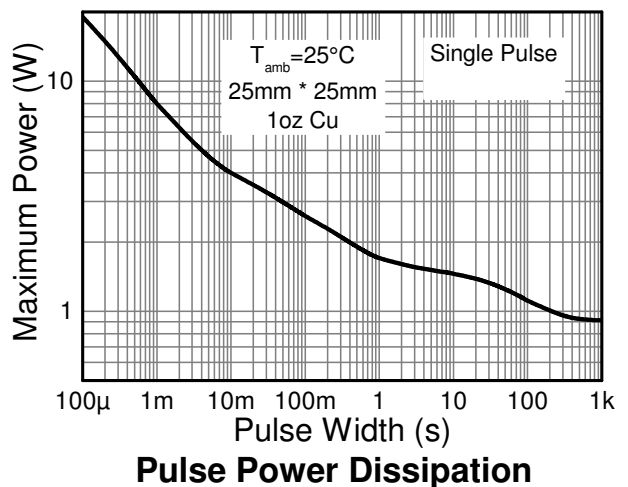
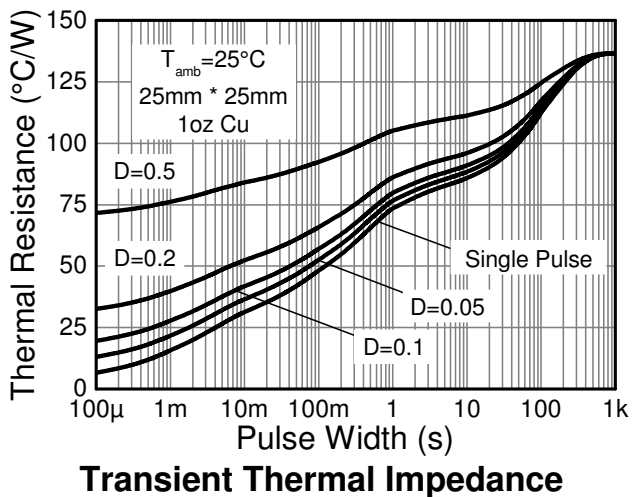
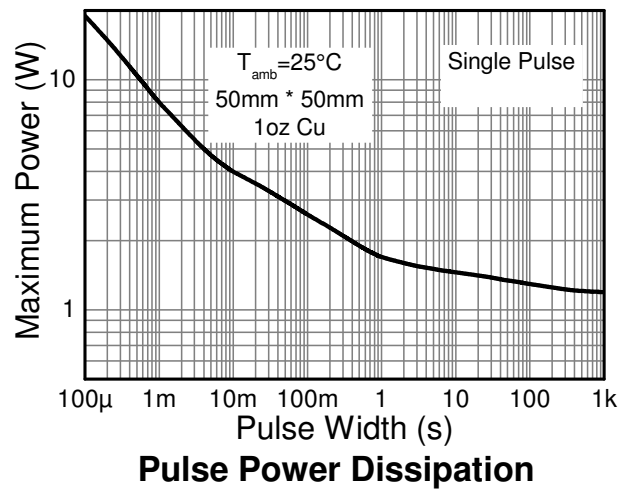
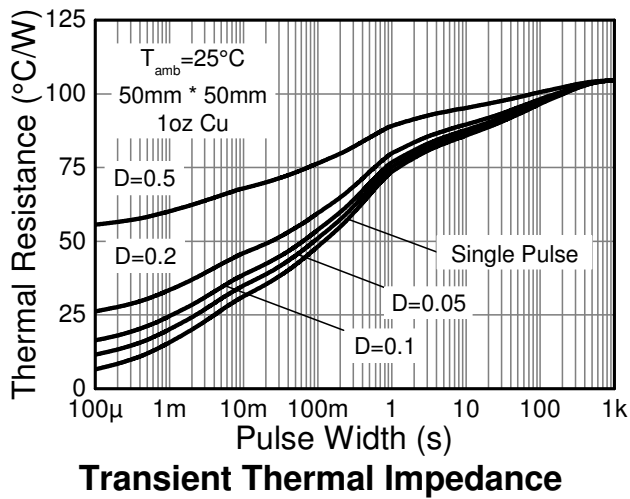
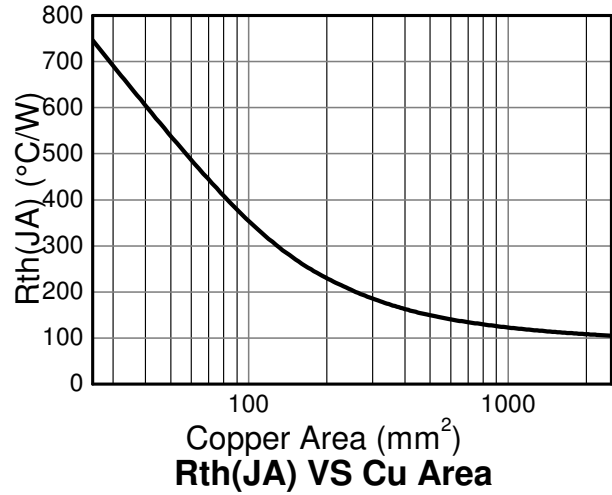
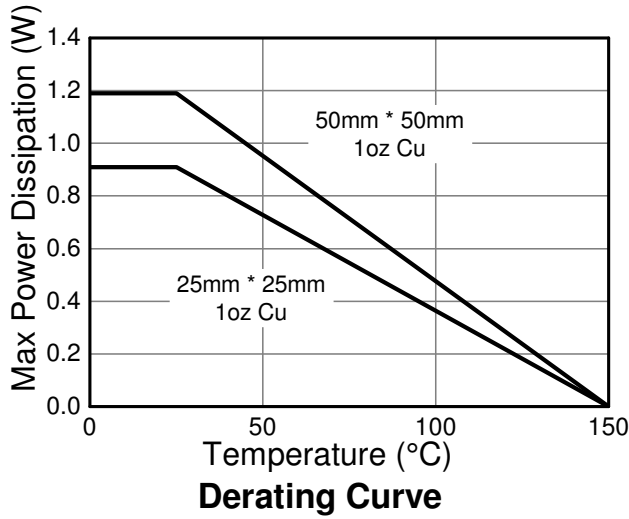
| Characteristics                            | Symbol  | Value | Unit | JEDEC Class |
|--|---------|-------|------|-------------|
| Electrostatic Discharge – Human Body Model | ESD HBM | 800   | V    | 1B          |
| Electrostatic Discharge – Machine Model    | ESD MM  | 300   | V    | B           |

- Notes:
- For a device mounted with the OUT leads on 50mm x 50mm 2oz copper that is on a single-sided 1.6mm FR-4 PCB; device is measured under still air conditions while operating in steady-state.
  - Same as Note 6, except mounted on 15mm x 15mm 1oz copper.
  - R<sub>θJL</sub> = Thermal resistance from junction to solder-point (at the end of the OUT leads).
  - Refer to JEDEC specification JESD22-A114 and JESD22-A115.

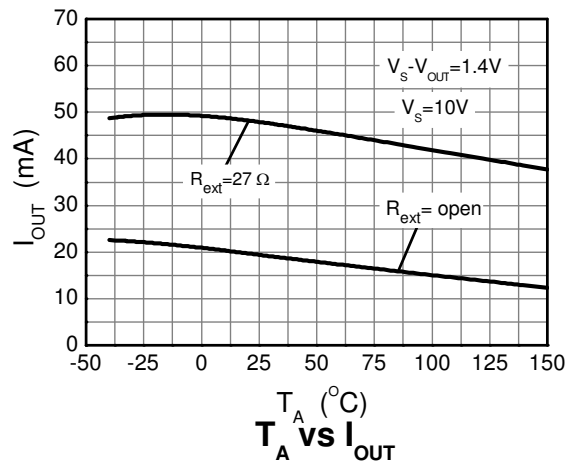
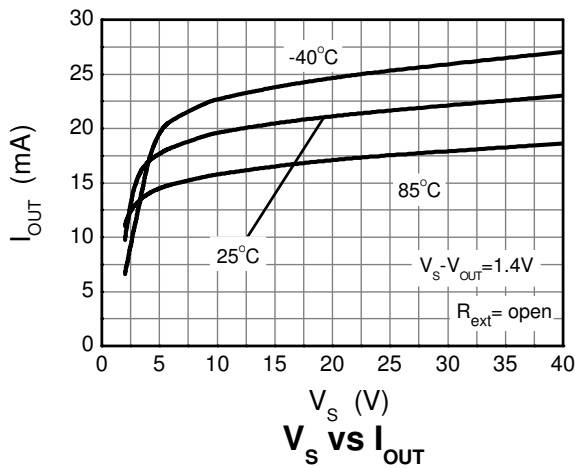
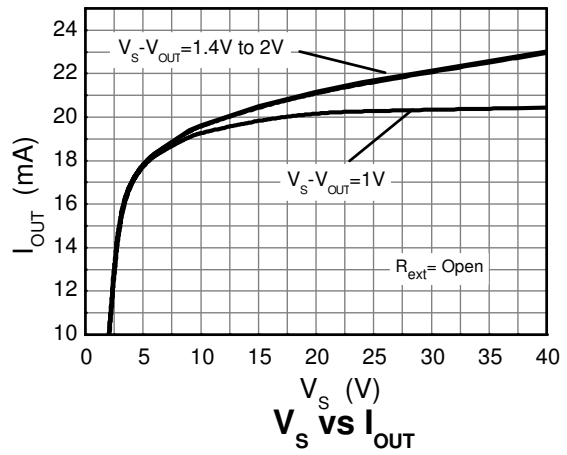
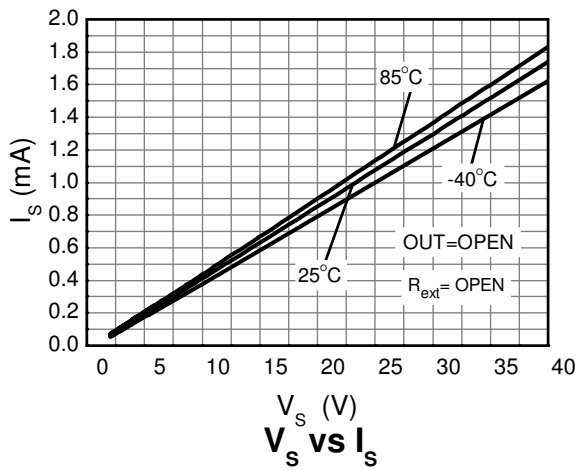
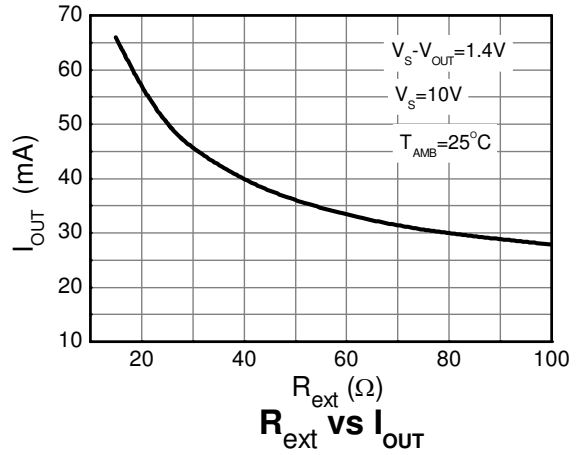
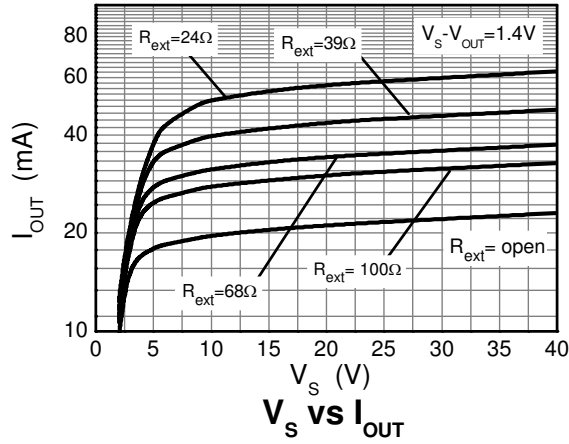
**Electrical Characteristics** (@T<sub>A</sub> = +25°C, unless otherwise specified.)

| Characteristic  | Symbol                              | Min | Typ   | Max | Unit | Test Condition                                |
|---|-------------------------------------|-----|-------|-----|------|---|
| Collector-Emitter Breakdown Voltage                                   | BV <sub>CEO</sub>                   | 40  | -     | -   | V    | I <sub>C</sub> = 1mA                          |
| GND (Enable) Current  | I <sub>GND</sub>                    | 340 | 420   | 500 | μA   | V <sub>S</sub> = 10V; V <sub>OUT</sub> = open |
| GND (Enable) Current  | I <sub>GND</sub>                    | -   | 380   | -   | μA   | V <sub>S</sub> = 10V; V <sub>OUT</sub> = 8.6V |
| DC Current Gain   | h <sub>FE</sub>                     | 100 | 220   | 470 | -    | I <sub>C</sub> = 50mA; V <sub>CE</sub> = 1V   |
| Internal Resistor   | R <sub>INT</sub>                    | 38  | 44    | 52  | Ω    | I <sub>RINT</sub> = 20mA                      |
| Output Current (Nominal)  | I <sub>OUT</sub>                    | 18  | 20    | 22  | mA   | V <sub>OUT</sub> = 8.6V; V <sub>S</sub> = 10V |
| Voltage Drop (V <sub>REXT</sub> )                                     | V <sub>DROP</sub>                   | -   | 0.88  | -   | V    | I <sub>OUT</sub> = 20mA                       |
| Lowest Sufficient Supply Voltage (V <sub>S</sub> - V <sub>OUT</sub> ) | V <sub>SMIN</sub>                   | -   | 1.4   | -   | V    | I <sub>OUT</sub> > 18mA                       |
| Output Current change vs. Temperature                                 | ΔI <sub>OUT</sub> /I <sub>OUT</sub> | -   | -0.25 | -   | %/°C | V <sub>S</sub> = 10V                          |
| Output Current change vs. Supply Voltage                              | ΔI <sub>OUT</sub> /I <sub>OUT</sub> | -   | 1     | -   | %/V  | V <sub>S</sub> = 10V                          |

**Typical Thermal Characteristics** (@T<sub>A</sub> = +25°C, unless otherwise specified.)



**Typical Electrical Characteristics** (Cont.) (@ $T_A = +25^\circ\text{C}$ , unless otherwise specified.)



**Application Information**

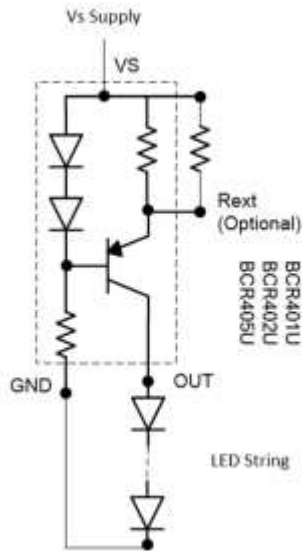


Figure: 1 Typical Application Circuit for BCR40X LED Driver

The BCR401/2/5 is designed for driving low current LEDs with typical LED currents of 10mA to 100mA. They provide a cost-effective way for driving low current LEDs compared with more complex switching regulator solutions. Furthermore, they reduce the PCB board area of the solution as there is no need for external components like inductors, capacitors and switching diodes.

Figure 1 shows a typical application circuit diagram for driving an LED or string of LEDs. The devices come with an internal resistor ( $R_{INT}$ ) of typically 91Ω, 20Ω, 16.5Ω which is in the absence of an external resistor, sets an LED current of 10mA, 20mA, 50mA respectively. LED current can be increased to a desired value by choosing an appropriate external resistor,  $R_{EXT}$ .

The  $R_{EXT}$  vs.  $I_{OUT}$  graphs should be used to select the appropriate resistor. Choosing a low tolerance  $R_{EXT}$  will improve the overall accuracy of the current sense formed by the parallel connection of  $R_{INT}$  and  $R_{EXT}$ .

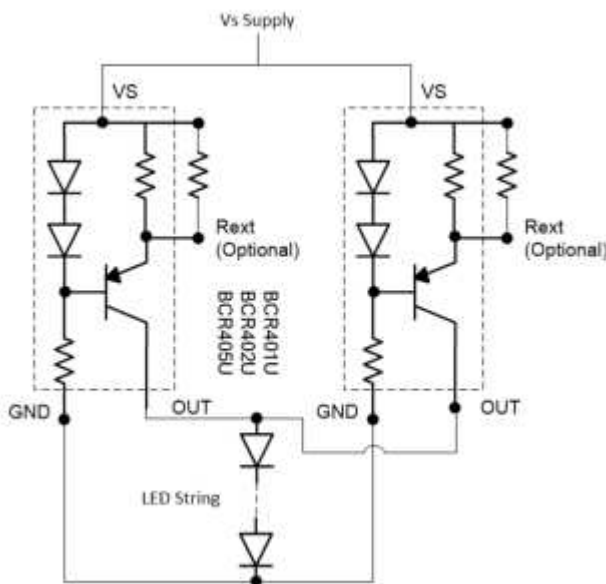


Figure: 2 Application Circuit for Increasing LED Current

The negative temperature coefficient of the BCR series allows easy paralleling of BCR410/2/5s. In applications where current sharing is required either due to high current requirements of LED strings or for power sharing, two or more BCR401/2/5s can be connected in parallel as shown in Figure 2. Power dissipation capability must be factored into the design, with respect to the BCR401/2/5's thermal resistance. The maximum voltage across the device can be calculated by taking the maximum supply voltage and subtracting the voltage across the LED string.

$$V_{DEVICE} = V_S - V_{OUT}$$

$$P_D = (V_{DEVICE} \times I_{LED}) + (V_S \times I_{GND})$$

As the output current of BCR401/2/5 increases, it is necessary to connect an appropriate heat sink to the OUT pins of the device. The power dissipation supported by the device is dependent upon the PCB board material, the copper area and the ambient temperature. The maximum dissipation the device can handle is given by:

$$P_D = (T_{J(MAX)} - T_A) / R_{\theta JA}$$

Refer to the thermal characteristic graphs in datasheet for selecting the appropriate PCB copper area.

**Application Information** (Cont.)

PWM is the most pursued method for LED dimming. In the PWM method, dimming is achieved by turning the LEDs ON and OFF for a portion of a single cycle. PWM dimming can be achieved by enabling/disabling the LED driver itself (refer to Figure 3a ,3b) or by switching the power path on and off (refer to Figure 3c). The PWM signal can be provided by a micro-controller or analog circuitry; typical circuits are shown in Figure 3. Figure 4 is a typical response of LED current vs. PWM duty cycle, PWM method showed in Figure 3b is used for generating the graphs.

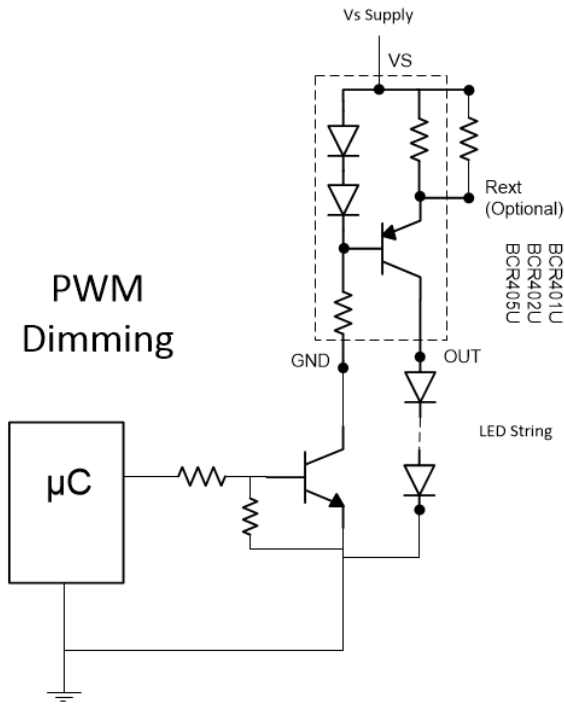


Figure 3a

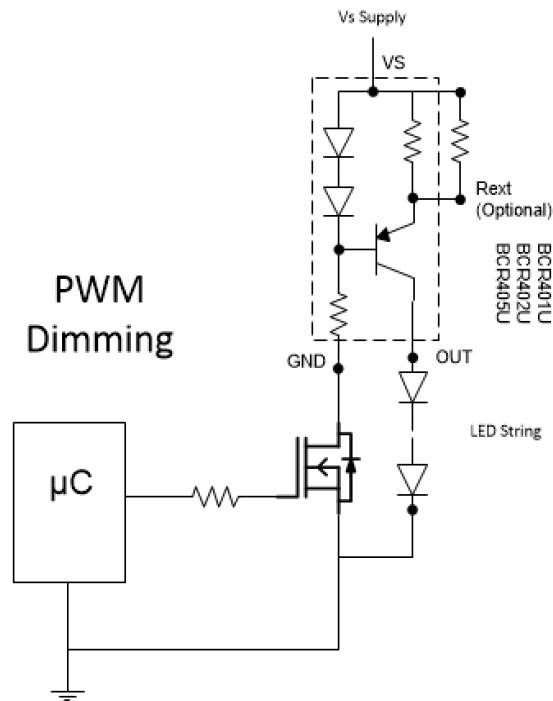


Figure 3b

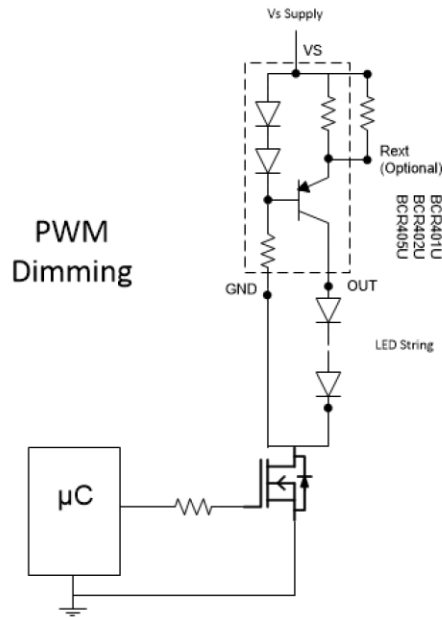


Figure 3c

Figure: 3a, 3b & 3c Application Circuits for LED Driver with PWM Dimming Functionality

**Application Information** (Cont.)

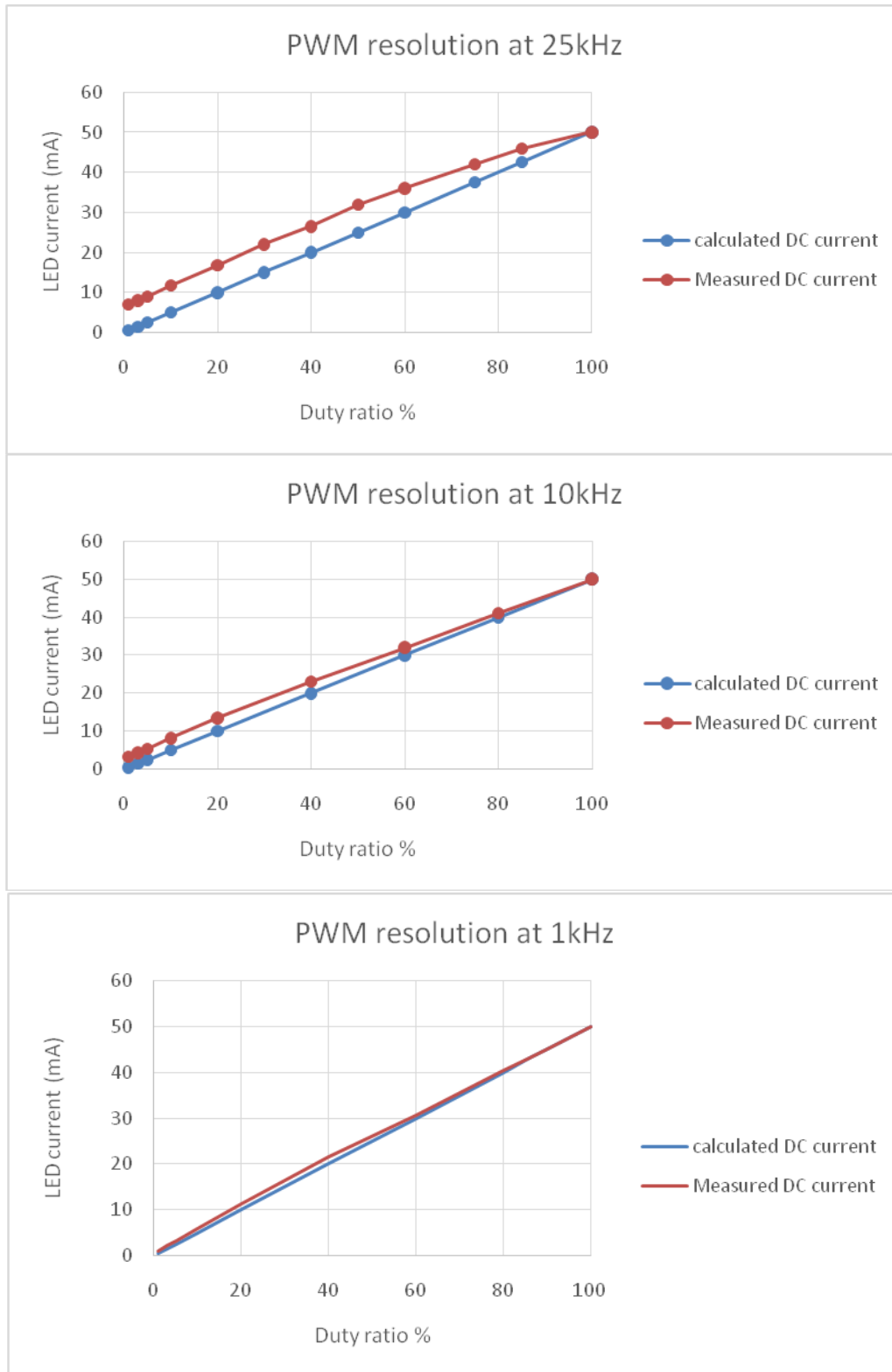


Figure: 4 Typical LED Current Response vs. PWM Duty Cycle for 25kHz, 10kHz and 1kHz PWM Frequency (refer to circuit 3b)

**Application Information** (Cont.)

The error between the calculated theoretical value and the measured value is due to the turn on and turn off times of the BCR401/2/5. There will be a small contribution from the switches (a pre-biased transistor or a MOSFET) shown in Figure 3a and 3b towards the total turn on and turn off times of the BCR401/2/5. It is recommended to keep the external switching delays to the lowest possible value to improve PWM accuracy. The typical switching times of the BCR401/2/5 for the configuration shown in Figure 3b are;

- Turn on time = 200ns
- Turn off time = 10µs

Please refer to the Figure 5 and 6 for the switching time performance. The percentage contribution of these switching delays increases with increasing frequency and decreasing duty ratio as can be seen in Figure 4.

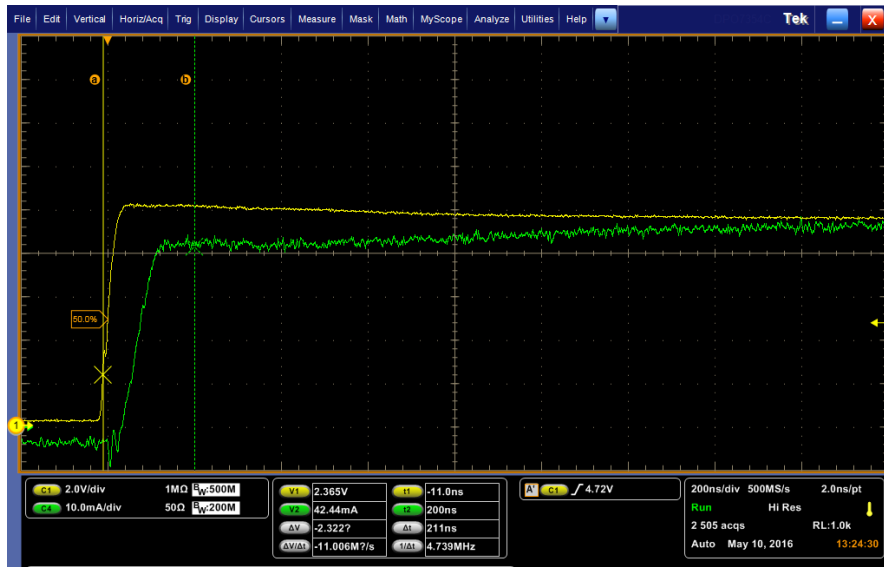


Figure: 5 Turn on time of BCR401/2/5 (PWM method shown in figure 3b)



Figure: 6 Turn on time of BCR401/2/5 (PWM method shown in figure 3c)

However, where possible, the switching performance of the BCR401/2/5 can be significantly improved by switching the power path as shown in Figure 3c. The resulting turn-off time is shown in Figure 7. This resulted in an improved PWM resolution at 25kHz as shown in Figure 8.

Turn-off time = ~200ns

**Application Information (Cont.)**

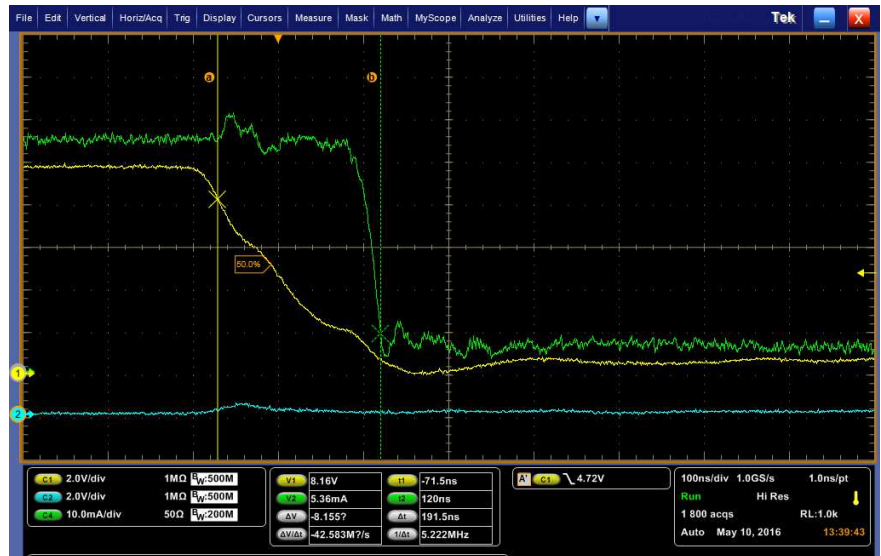


Figure: 7 Turn off time of BCR401/2/5 while switching the power path as shown in figure 3c

Yellow → PWM signal.  
Green → LED current.  
Blue → No connection made to this probe channel.



Figure 8: PWM resolution with power path switching (refer to figure 3c)

**Application Information** (Cont.)

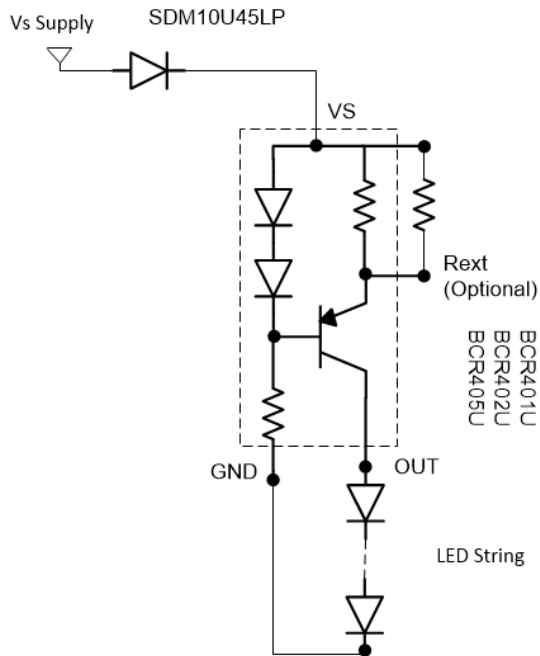


Figure 9 Application Circuit for LED Driver with Reverse Polarity Protection

To remove the potential of incorrect connection of the power supply damaging the lamp's LEDs, many systems use some form of reverse polarity protection.

One solution for reverse input polarity protection is to simply use a diode with a low  $V_F$  in line with the driver/LED combination. The low  $V_F$  increases the available voltage to the LED stack and dissipates less power. A circuit example is presented in Figure 9 which protects the light engine although it will not function until the problem is diagnosed and corrected. An SDM10U45LP (0.1A/45V) is shown, providing exceptionally low  $V_F$  for its package size of 1mm x 0.6mm. Other reverse voltage ratings are available from Diodes Incorporated's website such as the SBR02U100LP (0.2A/100V) or SBR0220LP (0.2A/20V).

While automotive applications commonly use this method for reverse battery protection, an alternative approach shown in Figure 10, provides reverse polarity protection and corrects the reversed polarity, allowing the light engine to function.

The BAS40BRW incorporates four low  $V_F$  Schottky diodes in a single package, reducing the power dissipated and maximizes the voltage across the LED stack.

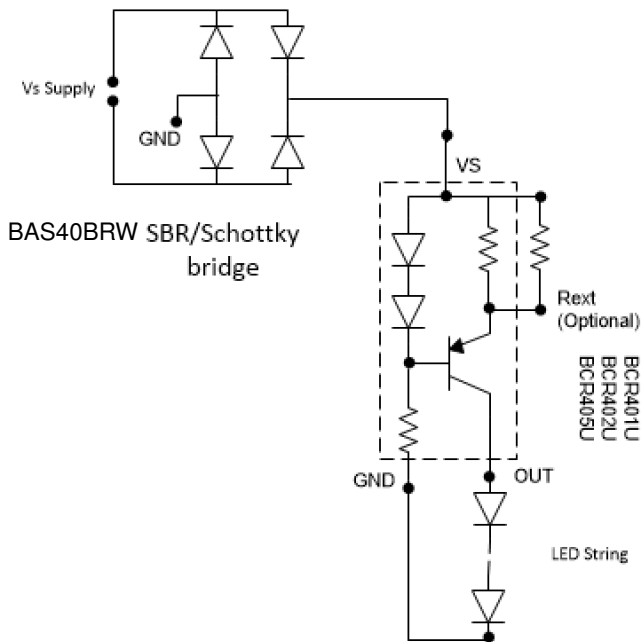
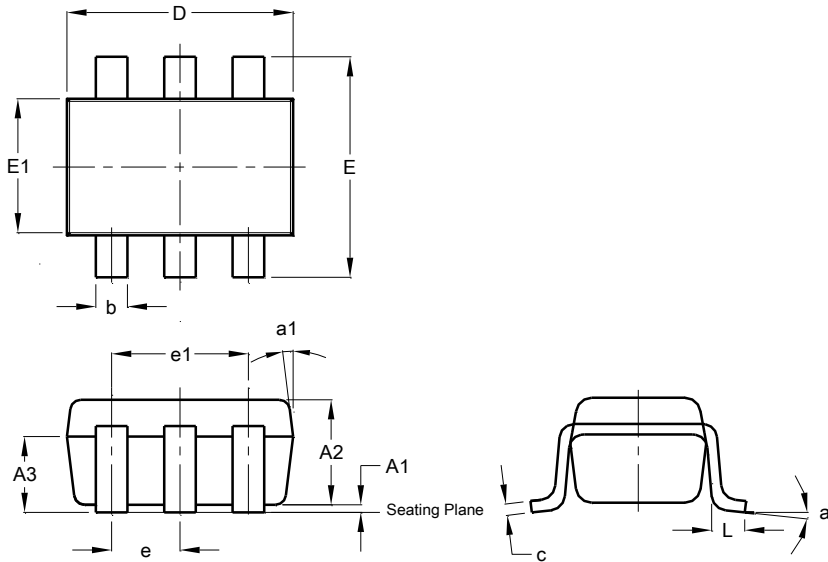


Figure 10 Application Circuit for LED Driver with Assured Operation Regardless of Polarity

**Package Outline Dimensions**

Please see <http://www.diodes.com/package-outlines.html> for the latest version.

**SOT26/SC74R**

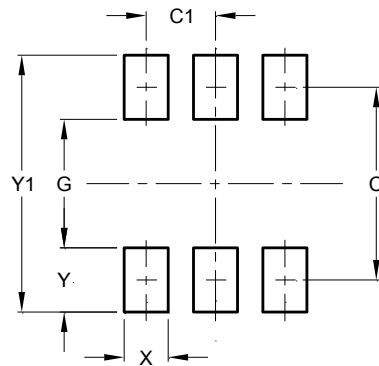


| SOT26/SC74R          |       |      |      |
|----------------------|-------|------|------|
| Dim                  | Min   | Max  | Typ  |
| A1                   | 0.013 | 0.10 | 0.05 |
| A2                   | 1.00  | 1.30 | 1.10 |
| A3                   | 0.70  | 0.80 | 0.75 |
| b                    | 0.35  | 0.50 | 0.38 |
| c                    | 0.10  | 0.20 | 0.15 |
| D                    | 2.90  | 3.10 | 3.00 |
| e                    | -     | -    | 0.95 |
| e1                   | -     | -    | 1.90 |
| E                    | 2.70  | 3.00 | 2.80 |
| E1                   | 1.50  | 1.70 | 1.60 |
| L                    | 0.35  | 0.55 | 0.40 |
| a                    | -     | -    | 8°   |
| a1                   | -     | -    | 7°   |
| All Dimensions in mm |       |      |      |

**Suggested Pad Layout**

Please see <http://www.diodes.com/package-outlines.html> for the latest version.

**SOT26/SC74R**



| Dimensions | Value (in mm) |
|------------|---------------|
| C          | 2.40          |
| C1         | 0.95          |
| G          | 1.60          |
| X          | 0.55          |
| Y          | 0.80          |
| Y1         | 3.20          |

#### **IMPORTANT NOTICE**

DIODES INCORPORATED MAKES NO WARRANTY OF ANY KIND, EXPRESS OR IMPLIED, WITH REGARDS TO THIS DOCUMENT, INCLUDING, BUT NOT LIMITED TO, THE IMPLIED WARRANTIES OF MERCHANTABILITY AND FITNESS FOR A PARTICULAR PURPOSE (AND THEIR EQUIVALENTS UNDER THE LAWS OF ANY JURISDICTION).

Diodes Incorporated and its subsidiaries reserve the right to make modifications, enhancements, improvements, corrections or other changes without further notice to this document and any product described herein. Diodes Incorporated does not assume any liability arising out of the application or use of this document or any product described herein; neither does Diodes Incorporated convey any license under its patent or trademark rights, nor the rights of others. Any Customer or user of this document or products described herein in such applications shall assume all risks of such use and will agree to hold Diodes Incorporated and all the companies whose products are represented on Diodes Incorporated website, harmless against all damages.

Diodes Incorporated does not warrant or accept any liability whatsoever in respect of any products purchased through unauthorized sales channel. Should Customers purchase or use Diodes Incorporated products for any unintended or unauthorized application, Customers shall indemnify and hold Diodes Incorporated and its representatives harmless against all claims, damages, expenses, and attorney fees arising out of, directly or indirectly, any claim of personal injury or death associated with such unintended or unauthorized application.

Products described herein may be covered by one or more United States, international or foreign patents pending. Product names and markings noted herein may also be covered by one or more United States, international or foreign trademarks.

This document is written in English but may be translated into multiple languages for reference. Only the English version of this document is the final and determinative format released by Diodes Incorporated.

#### **LIFE SUPPORT**

Diodes Incorporated products are specifically not authorized for use as critical components in life support devices or systems without the express written approval of the Chief Executive Officer of Diodes Incorporated. As used herein:

A. Life support devices or systems are devices or systems which:

1. are intended to implant into the body, or
2. support or sustain life and whose failure to perform when properly used in accordance with instructions for use provided in the labeling can be reasonably expected to result in significant injury to the user.

B. A critical component is any component in a life support device or system whose failure to perform can be reasonably expected to cause the failure of the life support device or to affect its safety or effectiveness.

Customers represent that they have all necessary expertise in the safety and regulatory ramifications of their life support devices or systems, and acknowledge and agree that they are solely responsible for all legal, regulatory and safety-related requirements concerning their products and any use of Diodes Incorporated products in such safety-critical, life support devices or systems, notwithstanding any devices- or systems-related information or support that may be provided by Diodes Incorporated. Further, Customers must fully indemnify Diodes Incorporated and its representatives against any damages arising out of the use of Diodes Incorporated products in such safety-critical, life support devices or systems.

Copyright © 2016, Diodes Incorporated

[www.diodes.com](http://www.diodes.com)