



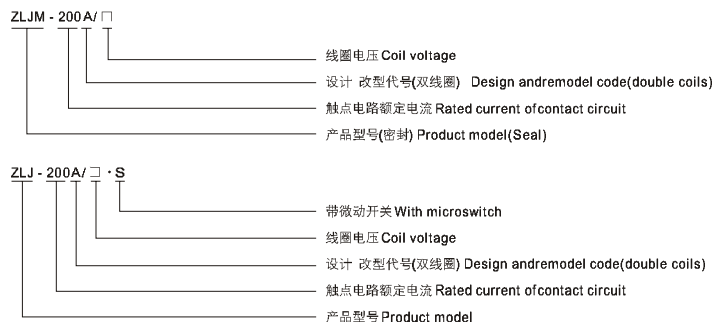
DONGYA ELECTRONIC



ZLJ-200A/ ZLJM-200A

Series contactors
系列接触器

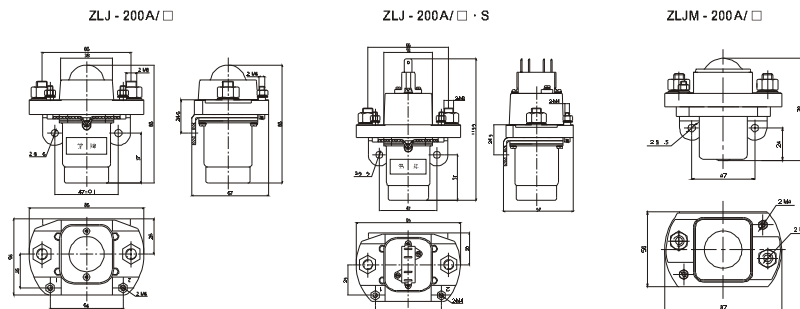
1. 产品型号含义 Nomination(nomogram)



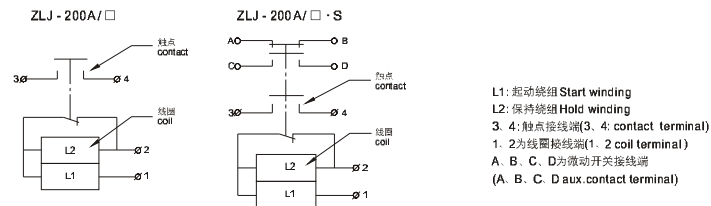
2. 使用条件 Use conditions required

环境温度 Ambient temperature: -25~+40°C
 相对湿度 Relative humidity: +20°C达98%(upto 98% at +20°C)
 固定处的振动频率 Vibration freq. at the fixed position:
 3g, 1~50Hz 振幅 0.5mm
 3g, 1~50Hz ampli 0.5mm
 安装方向 Mounting directions: 任意 Optional

3. 外形安装图 Configurational mounting diagram



4. 线路原理图 Circuit diagram



5. 简要技术参数 Basic technical data

| 编号 NO. | 参数名称 Parameters | 产品代号 Product code | |
|--------|--|--------------------------------------|--|
| | | ZLJ-200A ZLJ-200S ZLJM-200A系列 series | |
| 1 | 线圈额定电压 Rated coil volt(VDC) | 12, 24, 30, 48, 60, 72, 120等(etc) | |
| 2 | 线圈功耗 Coil Power dissipation(W) | 6-8 | |
| 3 | 20°C冷态启动线圈最大电流 Max. coil start current in cold state at 20°C(A) | 5 | |
| 4 | 触点电路额定电压 Rated volt of contact circuit(V DC) | 48 | |
| 5 | 触点电路额定负载电流 Rated load current of contact circuit(A) | 200A | |
| 6 | (20±5)°C下, 冷态动作电压(V) Operating volt in cold state at(20±5)°C | 吸合 Pick-up | 不大于线圈额定电压的70% Not above 70% of rated coil volt |
| | | 释放 Release | 线圈额定电压的(5~30)% (5~30)% of rated coil volt |
| 7 | 100A负载下主触点接触电压降 Contact volt drop of main contact at 100A | 不大于80mV not above 80mV | |
| 8 | 额定电压下最大动作时间(ms)(线圈不带抑制电器) Max. operating time at rated volt(ms) (Coil with no suppression circuit) | 30 | |
| 9 | 抗电强度 Puncture(volt) strength | 50Hz 1000V AC 1min | |
| 10 | 电寿命(τ=0.001s)(次) Electric life(τ=0.001s)(cycles) | 50,000 Ops. | |
| 11 | 机械寿命 Mechanical life | 10万次 100,000 Ops. | |
| 12 | 工作规范 Working duty | 连续 Continuous | |