



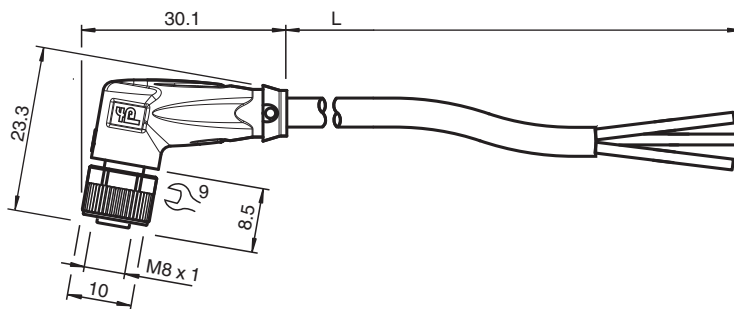
## Female cordset V3-WM-2M-PVC

- Degree of protection IP68
- Specific design protects against loosening and inaccurate installation

Female cordset single-ended M8 angled A-coded, 3-pin, PVC cable grey



### Dimensions



### Technical Data

#### General specifications

|                   |                  |
|-------------------|------------------|
| Connector 1       |                  |
| Connection        | socket           |
| Construction type | M8               |
| Style             | angled           |
| Locking           | screw connection |
| Number of pins    | 3                |
| Coding            | A-coded          |
| Connector 2       |                  |
| Connection        | cable end        |

#### Electrical specifications

|                   |       |                        |
|-------------------|-------|------------------------|
| Operating voltage | $U_B$ | max. 48 V AC / 60 V DC |
| Operating current | $I_B$ | max. 3 A               |

#### Conformity

|                      |                                    |
|----------------------|------------------------------------|
| Degree of protection | EN 60529                           |
| Plug connection      | connector M8 x 1 : IEC 61076-2-104 |

#### Ambient conditions

Release date: 2022-03-19 Date of issue: 2022-03-19 Filename: 109025\_eng.pdf

Refer to "General Notes Relating to Pepperl+Fuchs Product Information".

Pepperl+Fuchs Group  
www.pepperl-fuchs.com

USA: +1 330 486 0001  
fa-info@us.pepperl-fuchs.com

Germany: +49 621 776 1111  
fa-info@de.pepperl-fuchs.com

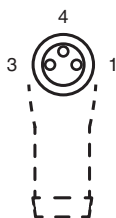
Singapore: +65 6779 9091  
fa-info@sg.pepperl-fuchs.com

PEPPERL+FUCHS

**Technical Data**

|  |   |   |
|--|---|---|
| <b>Ambient temperature</b>                       |   |   |
| Plug connector                                   |   | -40 ... 90 °C (-40 ... 194 °F)                                |
| Cable, fixed                                     |   | -40 ... 70 °C (-40 ... 158 °F)                                |
| Cable, flexing                                   |   | -5 ... 70 °C (23 ... 158 °F)                                  |
| Pollution degree                                 |   | 3   |
| <b>Mechanical specifications</b>                 |   |   |
| <b>Plug connector</b>                            |   |   |
| Tightening torque                                |   | 0.4 Nm  |
| Loosening protection                             |   | available   |
| Tool installation                                |   | straight knurling and hexagon nut SW = 9 mm                   |
| Mating cycles                                    |   | min. 100  |
| Degree of protection                             |   | IP68  |
| <b>Cable</b>                                     |   |   |
| according to IEC/EN 60228 (DIN VDE 0295) class 5 |   |   |
| Sheath diameter                                  |   | 4.3 mm  |
| Bending radius                                   |   | > 15 x cable diameter, moving<br>> 10 x cable diameter, fixed |
| Sheath stripping force                           |   | max. 80 N / 300 mm  |
| Sheath color                                     |   | grey (similar to RAL 7001)                                    |
| Number of cores                                  |   | 3   |
| Core cross section                               |   | 0.25 mm <sup>2</sup>  |
| Cores color                                      |   | Core 1: brown<br>Core 3: blue<br>Core 4: black                |
| Core construction                                |   | 14 x 0.15 mm Ø  |
| Length   | L | 2 m   |
| Cable code                                       |   | Li YY 3 x 0,25  |
| <b>Material</b>                                  |   |   |
| <b>Plug connector</b>                            |   |   |
| Screw connection                                 |   | Zinc diecast, nickel-plated                                   |
| Body   |   | TPU, black  |
| Seal   |   | FKM   |
| Contact surface                                  |   | Au  |
| Flammability                                     |   | V-2   |
| <b>Cable</b>                                     |   |   |
| Sheathing  |   | PVC   |
| Core insulation                                  |   | PVC   |
| Flammability                                     |   | flame-resistant   |

**Connection Assignment**







- 1 ————— BN
- 3 ————— BU
- 4 ————— BK

**Accessories**

|   |                          |                             |
|---|--------------------------|-----------------------------|
|  | <b>MH V3-SCREWDRIVER</b> | torque screwdriver (0.4 Nm) |
|---|--------------------------|-----------------------------|

Release date: 2022-03-19 Date of issue: 2022-03-19 Filename: 109025\_eng.pdf

**Accessories**

|   |                          |  |
|---|--------------------------|--|
|  | <b>MH V3-BIT M8</b>      | plug-in cap for M8                         |
|  | <b>V1/V3-LABELHOLDER</b> | Label holder                               |
|  | <b>V1/V3-LABEL</b>       | Label plate                                |
|  | <b>MH V3-Holder</b>      | Modular universal holder for M8 connectors |