

LVC MOS/LVTTL FANOUT BUFFER/DIVIDER

ICS870041-03

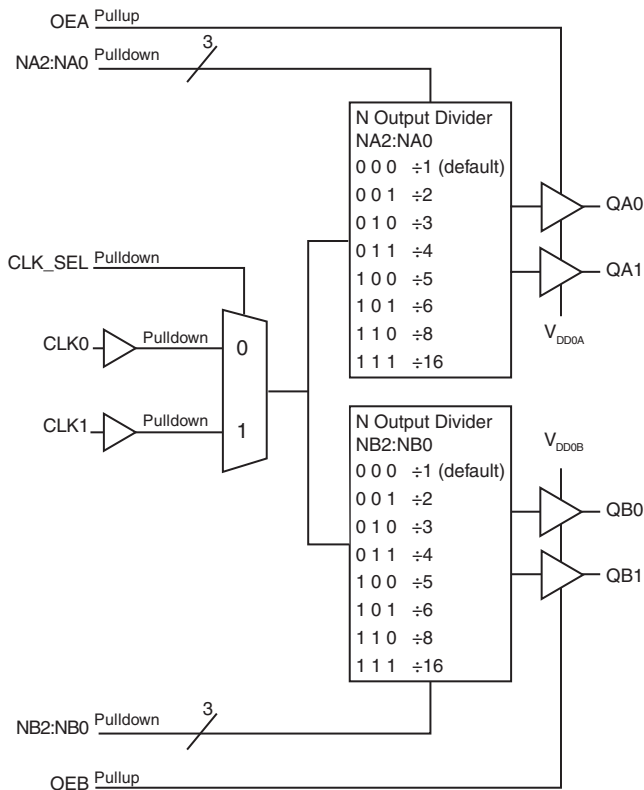
GENERAL DESCRIPTION



The ICS870041-03 is a low skew, $\div 1$, $\div 2$ $\div 3$, $\div 4$ $\div 5$, $\div 6$ $\div 8$, $\div 16$ LVC MOS/LVTTL Fanout Buffer/Divider and a member of the HiPerClockS™ family of High Performance Clock Solutions from IDT. The ICS870041-03 has selectable clock inputs that accept single ended input levels. Output enable pin controls whether the output is in the active or high impedance state.

The ICS870041-03 is characterized at 3.3V, 2.5V and mixed 3.3V/2.5V, 3.3V/1.8V, 2.5V/1.8V input/output supply operating modes. Guaranteed bank, output, and part-to-part skew characteristics make the ICS870041-03 ideal for those applications demanding well defined performance and repeatability.

BLOCK DIAGRAM



The Preliminary Information presented herein represents a product in pre-production. The noted characteristics are based on initial product characterization and/or qualification. Integrated Device Technology, Incorporated (IDT) reserves the right to change any circuitry or specifications without notice.

FEATURES

- Two banks of two LVC MOS/LVTTL outputs, 15Ω typical output impedance
- Selectable LVC MOS/LVTTL clock inputs
- LVC MOS_CLK supports the following input types: LVC MOS, LVTTL
- Maximum output frequency: 250MHz
- Output skew: 40ps (typical)
- Bank skew: 20ps (typical)
- Part-to-part skew: TBD
- Power supply modes:
Core/Output
3.3V/3.3V
3.3V/2.5V
3.3V/1.8V
2.5V/2.5V
2.5V/1.8V
- -40°C to 85°C ambient operating temperature
- Available in both standard (RoHS 5) and lead-free (RoHS 6) packages

PIN ASSIGNMENT

V _{DD}	1	20	OEA
NA2	2	19	V _{DD0A}
NA1	3	18	QA0
NA0	4	17	QA1
CLK0	5	16	GND
CLK_SEL	6	15	QB1
CLK1	7	14	QB0
NB2	8	13	V _{DD0B}
NB1	9	12	GND
NB0	10	11	OEB

ICS870041-03 20-Lead TSSOP

6.50mm x 4.40mm x 0.925mm package body

G Package
Top View

TABLE 1. PIN DESCRIPTIONS

Number	Name	Type		Description
1	V _{DD}	Power		Power supply pin.
2, 3, 4	NA2, NA1, NA0	Input	Pulldown	N divider pins for Bank A outputs. LVCMOS / LVTTL interface levels.
5, 7	CLK0, CLK1	Input	Pulldown	Single-ended clock inputs. LVCMOS / LVTTL interface levels.
6	CLK_SEL	Input	Pulldown	Clock select input. When HIGH, selects CLK1 input. When LOW, selects CLK0 input. LVCMOS / LVTTL interface levels.
8, 9, 10	NB2, NB1, NB0	Input	Pulldown	N divider pins for Bank B outputs. LVCMOS / LVTTL interface levels.
11	OEB	Input	Pullup	Output enable. When LOW, Bank B outputs are in HIGH impedance state. When HIGH, Bank B outputs are active. LVCMOS / LVTTL interface levels.
12, 16	GND	Power		Power supply ground.
13	V _{DDOB}	Power		Output supply pin for Bank B outputs.
14, 15	QB0, QB1	Output		Single-ended Bank B clock outputs. LVCMOS / LVTTL interface levels.
17, 18	QA1, QA0	Output		Single-ended Bank A clock outputs. LVCMOS / LVTTL interface levels.
19	V _{DDOA}	Power		Bank A output supply pin.
20	OEA	Input	Pullup	Output enable. When LOW, Bank A outputs are in HIGH impedance state. When HIGH, Bank A outputs are active. LVCMOS / LVTTL interface levels.

NOTE: *Pullup* and *Pulldown* refer to internal input resistors. See Table 2, Pin Characteristics, for typical values.

TABLE 2. PIN CHARACTERISTICS

Symbol	Parameter	Test Conditions	Minimum	Typical	Maximum	Units
C _{IN}	Input Capacitance			4		pF
R _{PULLUP}	Input Pullup Resistor			51		kΩ
R _{PULLDOWN}	Input Pulldown Resistor			51		kΩ
C _{PD}	Power Dissipation Capacitance (per output)			10		pF
R _{OUT}	Output Impedance			15		Ω

TABLE 3. PROGRAMMABLE OUTPUT DIVIDER FUNCTION TABLE

Inputs			N Divider Value	Output Frequency (MHz)
N2	N1	N0		
0	0	0	÷1 (default)	250
0	0	1	÷2	125
0	1	0	÷3	83.333
0	1	1	÷4	62.5
1	0	0	÷5	50
1	0	1	÷6	41.667
1	1	0	÷8	31.25
1	1	1	÷16	15.625

NOTE: Some combinations of Bank A and Bank B output divider selections are not synchronous.

ABSOLUTE MAXIMUM RATINGS

Supply Voltage, V_{DD}	4.6V
Inputs, V_I	-0.5V to $V_{DD} + 0.5$ V
Outputs, V_O	-0.5V to $V_{DDOX} + 0.5$ V
Package Thermal Impedance, θ_{JA}	91.1°C/W (0 mps)
Storage Temperature, T_{STG}	-65°C to 150°C

NOTE: Stresses beyond those listed under Absolute Maximum Ratings may cause permanent damage to the device. These ratings are stress specifications only. Functional operation of product at these conditions or any conditions beyond those listed in the *DC Characteristics* or *AC Characteristics* is not implied. Exposure to absolute maximum rating conditions for extended periods may affect product reliability.

TABLE 4A. POWER SUPPLY DC CHARACTERISTICS, $V_{DD} = V_{DDOA} = V_{DDOB} = 3.3V \pm 5\%$, $T_A = -40^\circ\text{C}$ TO 85°C

Symbol	Parameter	Test Conditions	Minimum	Typical	Maximum	Units
V_{DD}	Power Supply Voltage		3.135	3.3	3.465	V
V_{DDOA}, V_{DDOB}	Output Supply Voltage		3.135	3.3	3.465	V
I_{DD}	Power Supply Current			40		mA
I_{DDOA}, I_{DDOB}	Output Supply Current			1		mA

TABLE 4B. POWER SUPPLY DC CHARACTERISTICS, $V_{DD} = 3.3V \pm 5\%$, $V_{DDOA} = V_{DDOB} = 2.5V \pm 5\%$, $T_A = -40^\circ\text{C}$ TO 85°C

Symbol	Parameter	Test Conditions	Minimum	Typical	Maximum	Units
V_{DD}	Power Supply Voltage		3.135	3.3	3.465	V
V_{DDOA}, V_{DDOB}	Output Supply Voltage		2.375	2.5	2.625	V
I_{DD}	Power Supply Current			40		mA
I_{DDOA}, I_{DDOB}	Output Supply Current			1		mA

TABLE 4C. POWER SUPPLY DC CHARACTERISTICS, $V_{DD} = 3.3V \pm 5\%$, $V_{DDOA} = V_{DDOB} = 1.8V \pm 0.15V$, $T_A = -40^\circ\text{C}$ TO 85°C

Symbol	Parameter	Test Conditions	Minimum	Typical	Maximum	Units
V_{DD}	Power Supply Voltage		3.135	3.3	3.465	V
V_{DDOA}, V_{DDOB}	Output Supply Voltage		1.65	1.8	1.95	V
I_{DD}	Power Supply Current			40		mA
I_{DDOA}, I_{DDOB}	Output Supply Current			1		mA

TABLE 4D. POWER SUPPLY DC CHARACTERISTICS, $V_{DD} = V_{DDOA} = V_{DDOB} = 2.5V \pm 5\%$, $T_A = -40^\circ\text{C}$ TO 85°C

Symbol	Parameter	Test Conditions	Minimum	Typical	Maximum	Units
V_{DD}	Power Supply Voltage		2.375	2.5	2.625	V
V_{DDOA}, V_{DDOB}	Output Supply Voltage		2.375	2.5	2.625	V
I_{DD}	Power Supply Current			39		mA
I_{DDOA}, I_{DDOB}	Output Supply Current			1		mA

TABLE 4E. POWER SUPPLY DC CHARACTERISTICS, $V_{DD} = 2.5V \pm 5\%$, $V_{DDOA} = V_{DDOB} = 1.8V \pm 0.15V$, $T_A = -40^\circ\text{C}$ TO 85°C

Symbol	Parameter	Test Conditions	Minimum	Typical	Maximum	Units
V_{DD}	Power Supply Voltage		2.375	2.5	2.625	V
V_{DDOA}, V_{DDOB}	Output Supply Voltage		1.65	1.8	1.95	V
I_{DD}	Power Supply Current			39		mA
I_{DDOA}, I_{DDOB}	Output Supply Current			1		mA

TABLE 4F. LVCMOS/LVTTL DC CHARACTERISTICS, $V_{DD} = 3.3V \pm 5\%$ OR $2.5V \pm 5\%$, $V_{DDOA} = V_{DDOB} = 3.3V \pm 5\%$, $2.5V \pm 5\%$ OR $1.8V \pm 0.15V$, $T_A = -40^\circ\text{C}$ TO 85°C

Symbol	Parameter	Test Conditions	Minimum	Typical	Maximum	Units
V_{IH}	Input High Voltage	$V_{DD} = 3.3V$	2		$V_{DD} + 0.3$	V
		$V_{DD} = 2.5V$	1.7		$V_{DD} + 0.3$	V
V_{IL}	Input Low Voltage	$V_{DD} = 3.3V$	-0.3		0.8	V
		$V_{DD} = 2.5V$	-0.3		0.7	V
I_{IH}	Input High Current	CLK0, CLK1, CLK_SEL, NA2:NA0, NB2:NB0 $V_{DD} = V_{IN} = 3.465V$ or 2.625V			150	μA
		OEA, OEB $V_{DD} = V_{IN} = 3.465V$ or 2.625V			5	μA
I_{IL}	Input Low Current	CLK0, CLK1, CLK_SEL, NA2:NA0, NB2:NB0 $V_{DD} = 3.465V$ or 2.625V, $V_{IN} = 0V$	-5			μA
		OEA, OEB $V_{DD} = 3.465V$ or 2.625V, $V_{IN} = 0V$	-150			μA
V_{OH}	Output High Voltage; NOTE 1	$V_{DDOX} = 3.3V \pm 5\%$	2.6			V
		$V_{DDOX} = 2.5V \pm 5\%$	1.8			V
		$V_{DDOX} = 1.8V \pm 0.15V$	1.5			V
V_{OL}	Output Low Voltage; NOTE 1	$V_{DDOX} = 3.3V \pm 5\%$			0.5	V
		$V_{DDOX} = 2.5V \pm 5\%$			0.5	V
		$V_{DDOX} = 1.8V \pm 0.15V$			0.4	V
I_{OZL}	Output Hi-Z Current Low		-5			μA
I_{OZH}	Output Hi-Z Current High				5	μA

NOTE 1: Outputs terminated with 50Ω to $V_{DDOX}/2$. See Parameter Measurement Information, Output Load Test Circuit.

TABLE 5A. AC CHARACTERISTICS, $V_{DD} = V_{DDOA} = V_{DDOB} = 3.3V \pm 5\%$, $T_A = -40^\circ\text{C}$ TO 85°C

Symbol	Parameter	Test Conditions	Minimum	Typical	Maximum	Units
f_{MAX}	Output Frequency				250	MHz
t_{PD}	Propagation Delay, NOTE 1			4.3		ns
$t_{sk(o)}$	Output Skew; NOTE 2, 3			40		ps
$t_{sk(pp)}$	Part-to-Part Skew; NOTE 3, 4					ps
$t_{sk(b)}$	Bank Skew; NOTE 3, 5			20		ps
t_R / t_F	Output Rise/Fall Time; NOTE 6	20% to 80%		700		ps
odc	Output Duty Cycle			50		%
t_{EN}	Output Enable Time; NOTE 6				5	ns
t_{DIS}	Output Disable Time; NOTE 6				5	ns

All parameters measured at $f \leq \text{TBD MHz}$ unless noted otherwise.

NOTE 1: Measured from $V_{DD}/2$ of the input to $V_{DDOX}/2$ of the output.

NOTE 2: Defined as skew between outputs at the same supply voltage and with equal load conditions.

Measured at $V_{DDOX}/2$.

NOTE 3: This parameter is defined in accordance with JEDEC Standard 65.

NOTE 4: Defined as skew between outputs on different devices operating at the same supply voltage and with equal load conditions. Using the same type of input on each device, the output is measured at $V_{DDOX}/2$.

NOTE 5: Defined as skew within a bank with equal load conditions.

NOTE 6: These parameters are guaranteed by characterization. Not tested in production.

TABLE 5B. AC CHARACTERISTICS, $V_{DD} = 3.3V \pm 5\%$, $V_{DDOA} = V_{DDOB} = 2.5V \pm 5\%$, $T_A = -40^\circ C$ TO $85^\circ C$

Symbol	Parameter	Test Conditions	Minimum	Typical	Maximum	Units
f_{MAX}	Output Frequency				250	MHz
t_{PD}	Propagation Delay, NOTE 1			4.6		ns
$t_{sk(o)}$	Output Skew; NOTE 2, 3			40		ps
$t_{sk(pp)}$	Part-to-Part Skew; NOTE 3, 4					ps
$t_{sk(b)}$	Bank Skew; NOTE 3, 5			20		ps
t_R / t_F	Output Rise/Fall Time; NOTE 6	20% to 80%		800		ps
odc	Output Duty Cycle			50		%
t_{EN}	Output Enable Time; NOTE 6				5	ns
t_{DIS}	Output Disable Time; NOTE 6				5	ns

All parameters measured at $f \leq$ TBDMHz unless noted otherwise.

NOTE 1: Measured from $V_{DD}/2$ of the input to $V_{DDOX}/2$ of the output.

NOTE 2: Defined as skew between outputs at the same supply voltage and with equal load conditions.

Measured at $V_{DDOX}/2$.

NOTE 3: This parameter is defined in accordance with JEDEC Standard 65.

NOTE 4: Defined as skew between outputs on different devices operating at the same supply voltage and with equal load conditions. Using the same type of input on each device, the output is measured at $V_{DDOX}/2$.

NOTE 5: Defined as skew within a bank with equal load conditions.

NOTE 6: These parameters are guaranteed by characterization. Not tested in production.

TABLE 5C. AC CHARACTERISTICS, $V_{DD} = 3.3V \pm 5\%$, $V_{DDOA} = V_{DDOB} = 1.8V \pm 0.15V$, $T_A = -40^\circ C$ TO $85^\circ C$

Symbol	Parameter	Test Conditions	Minimum	Typical	Maximum	Units
f_{MAX}	Output Frequency				250	MHz
t_{PD}	Propagation Delay, NOTE 1			5.0		ns
$t_{sk(o)}$	Output Skew; NOTE 2, 3			40		ps
$t_{sk(pp)}$	Part-to-Part Skew; NOTE 3, 4					ps
$t_{sk(b)}$	Bank Skew; NOTE 3, 5			20		ps
t_R / t_F	Output Rise/Fall Time; NOTE 6	20% to 80%		1		ns
odc	Output Duty Cycle			50		%
t_{EN}	Output Enable Time; NOTE 6				5	ns
t_{DIS}	Output Disable Time; NOTE 6				5	ns

All parameters measured at $f \leq$ TBDMHz unless noted otherwise.

NOTE 1: Measured from $V_{DD}/2$ of the input to $V_{DDOX}/2$ of the output.

NOTE 2: Defined as skew between outputs at the same supply voltage and with equal load conditions.

Measured at $V_{DDOX}/2$.

NOTE 3: This parameter is defined in accordance with JEDEC Standard 65.

NOTE 4: Defined as skew between outputs on different devices operating at the same supply voltage and with equal load conditions. Using the same type of input on each device, the output is measured at $V_{DDOX}/2$.

NOTE 5: Defined as skew within a bank with equal load conditions.

NOTE 6: These parameters are guaranteed by characterization. Not tested in production.

TABLE 5D. AC CHARACTERISTICS, $V_{DD} = V_{DDOA} = V_{DDOB} = 2.5V \pm 5\%$, $T_A = -40^\circ\text{C}$ TO 85°C

Symbol	Parameter	Test Conditions	Minimum	Typical	Maximum	Units
f_{MAX}	Output Frequency				250	MHz
t_{PD}	Propagation Delay, NOTE 1			4.7		ns
$tsk(o)$	Output Skew; NOTE 2, 3			40		ps
$tsk(pp)$	Part-to-Part Skew; NOTE 3, 4					ps
$tsk(b)$	Bank Skew; NOTE 3, 5			20		ps
t_R / t_F	Output Rise/Fall Time; NOTE 6	20% to 80%		900		ps
odc	Output Duty Cycle			50		%
t_{EN}	Output Enable Time; NOTE 6				5	ns
t_{DIS}	Output Disable Time; NOTE 6				5	ns

All parameters measured at $f \leq \text{TBDMHz}$ unless noted otherwise.

NOTE 1: Measured from $V_{DD}/2$ of the input to $V_{DDOX}/2$ of the output.

NOTE 2: Defined as skew between outputs at the same supply voltage and with equal load conditions.

Measured at $V_{DDOX}/2$.

NOTE 3: This parameter is defined in accordance with JEDEC Standard 65.

NOTE 4: Defined as skew between outputs on different devices operating at the same supply voltage and with equal load conditions. Using the same type of input on each device, the output is measured at $V_{DDOX}/2$.

NOTE 5: Defined as skew within a bank with equal load conditions.

NOTE 6: These parameters are guaranteed by characterization. Not tested in production.

TABLE 5E. AC CHARACTERISTICS, $V_{DD} = 2.5V \pm 5\%$, $V_{DDOA} = V_{DDOB} = 1.8V \pm 0.15V$, $T_A = -40^\circ\text{C}$ TO 85°C

Symbol	Parameter	Test Conditions	Minimum	Typical	Maximum	Units
f_{MAX}	Output Frequency				250	MHz
t_{PD}	Propagation Delay, NOTE 1			5.0		ns
$tsk(o)$	Output Skew; NOTE 2, 3			40		ps
$tsk(pp)$	Part-to-Part Skew; NOTE 3, 4					ps
$tsk(b)$	Bank Skew; NOTE 3, 5			20		ps
t_R / t_F	Output Rise/Fall Time; NOTE 6	20% to 80%		1.1		ns
odc	Output Duty Cycle			50		%
t_{EN}	Output Enable Time; NOTE 6				5	ns
t_{DIS}	Output Disable Time; NOTE 6				5	ns

All parameters measured at $f \leq \text{TBDMHz}$ unless noted otherwise.

NOTE 1: Measured from $V_{DD}/2$ of the input to $V_{DDOX}/2$ of the output.

NOTE 2: Defined as skew between outputs at the same supply voltage and with equal load conditions.

Measured at $V_{DDOX}/2$.

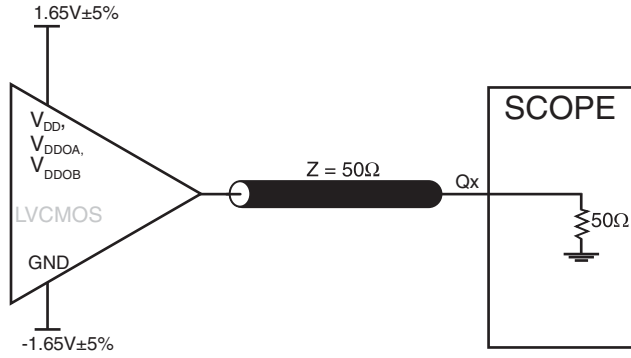
NOTE 3: This parameter is defined in accordance with JEDEC Standard 65.

NOTE 4: Defined as skew between outputs on different devices operating at the same supply voltage and with equal load conditions. Using the same type of input on each device, the output is measured at $V_{DDOX}/2$.

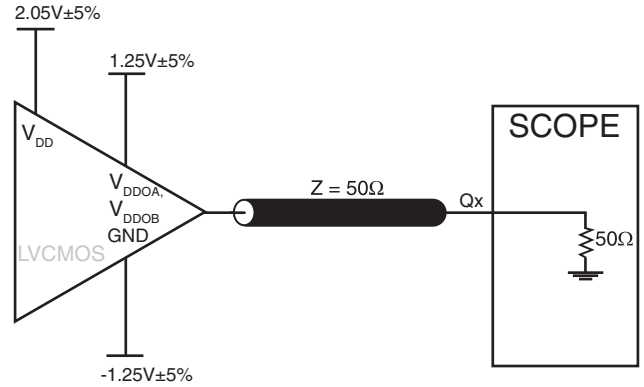
NOTE 5: Defined as skew within a bank with equal load conditions.

NOTE 6: These parameters are guaranteed by characterization. Not tested in production.

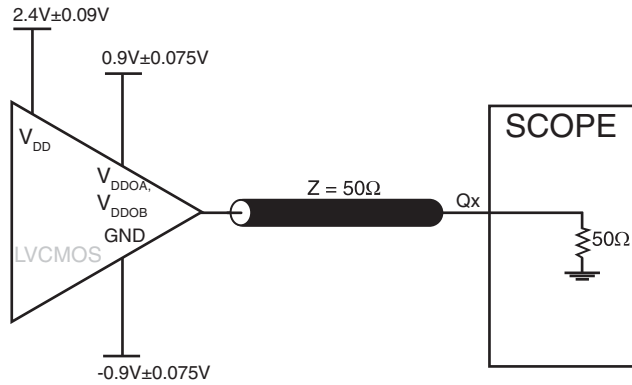
PARAMETER MEASUREMENT INFORMATION



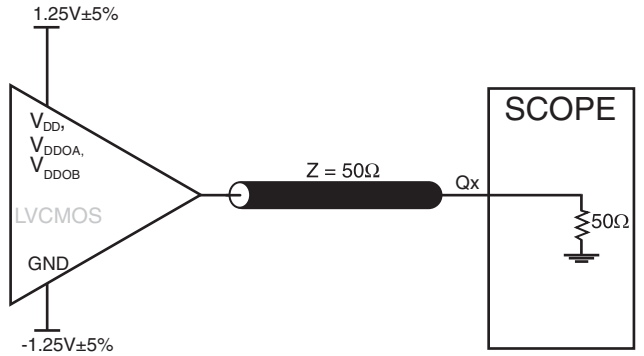
3.3V CORE/3.3V OUTPUT LOAD AC TEST CIRCUIT



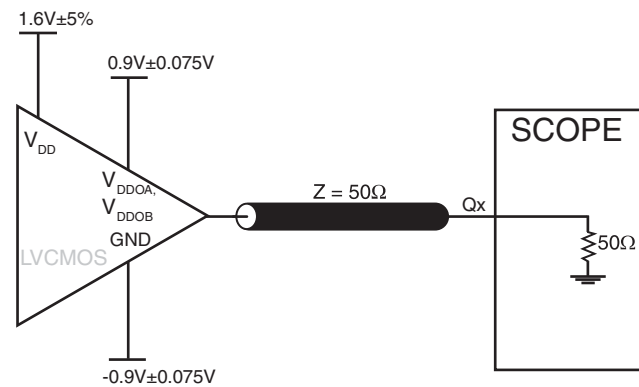
3.3V CORE/2.5V OUTPUT LOAD AC TEST CIRCUIT



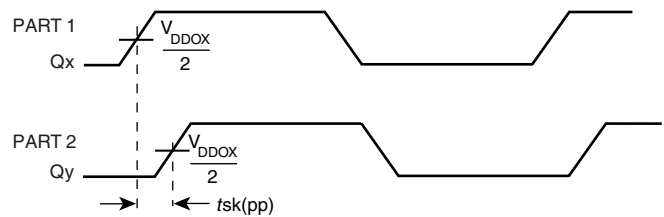
3.3V CORE/1.8V OUTPUT LOAD AC TEST CIRCUIT



2.5V CORE/2.5V OUTPUT LOAD AC TEST CIRCUIT

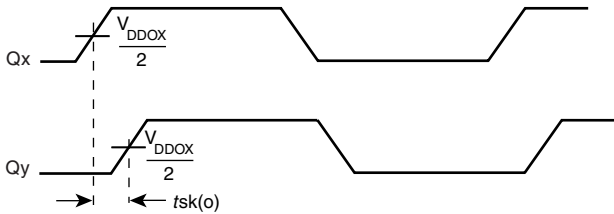


2.5V CORE/1.8V OUTPUT LOAD AC TEST CIRCUIT

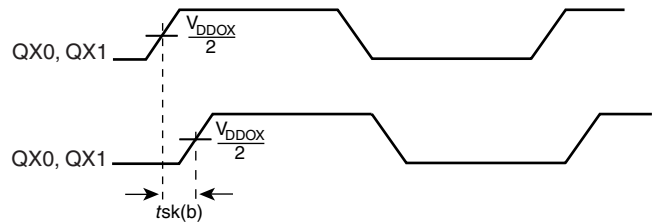


PART-TO-PART SKEW

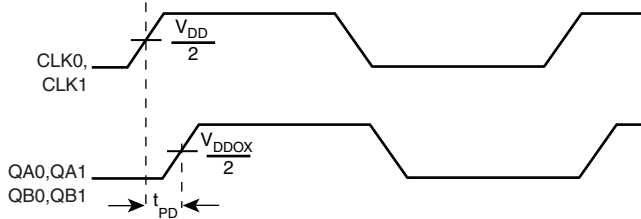
PARAMETER MEASUREMENT INFORMATION, CONTINUED



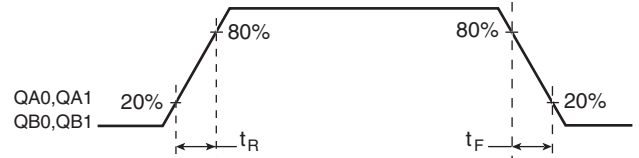
OUTPUT SKEW



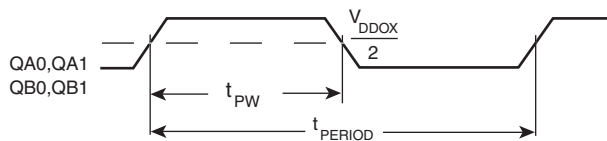
BANK SKEW (where X denotes outputs in the same bank)



PROPAGATION DELAY



OUTPUT RISE/FALL TIME



$$\text{odc} = \frac{t_{\text{PW}}}{t_{\text{PERIOD}}} \times 100\%$$

OUTPUT DUTY CYCLE/PULSE WIDTH/PERIOD

APPLICATION INFORMATION

RECOMMENDATIONS FOR UNUSED INPUT AND OUTPUT PINS

INPUTS:

CLK INPUTS

For applications not requiring the use of a clock input, it can be left floating. Though not required, but for additional protection, a 1k Ω resistor can be tied from the CLK input to ground.

LVC MOS CONTROL PINS

All control pins have internal pull-ups or pull-downs; additional resistance is not required but can be added for additional protection. A 1k Ω resistor can be used.

OUTPUTS:

LVC MOS OUTPUTS

All unused LVC MOS output can be left floating. There should be no trace attached.

RELIABILITY INFORMATION

TABLE 6. θ_{JA} VS. AIR FLOW TABLE FOR 20 LEAD TSSOP

θ_{JA} by Velocity (Meters per Second)			
	0	1	2.5
Multi-Layer PCB, JEDEC Standard Test Boards	91.1°C/W	86.7°C/W	84.6°C/W

TRANSISTOR COUNT

The transistor count for ICS87004I-03 is: 2781

PACKAGE OUTLINE AND DIMENSIONS

PACKAGE OUTLINE - G SUFFIX FOR 20 LEAD TSSOP

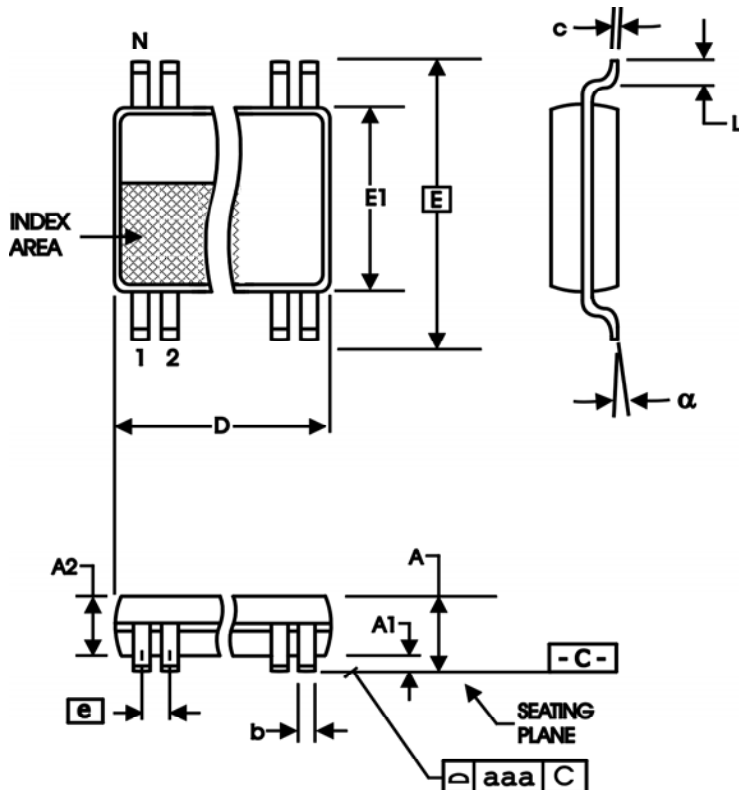


TABLE 7. PACKAGE DIMENSIONS

SYMBOL	Millimeters	
	MIN	MAX
N	20	
A	--	1.20
A1	0.05	0.15
A2	0.80	1.05
b	0.19	0.30
c	0.09	0.20
D	6.40	6.60
E	6.40 BASIC	
E1	4.30	4.50
e	0.65 BASIC	
L	0.45	0.75
alpha	0°	8°
aaa	--	0.10

Reference Document: JEDEC Publication 95, MO-153

TABLE 8. ORDERING INFORMATION

Part/Order Number	Marking	Package	Shipping Packaging	Temperature
87004BGI-03	ICS87004BI03	20 Lead TSSOP	tube	-40°C to 85°C
87004BGI-03T	ICS87004BI03	20 Lead TSSOP	2500 tape & reel	-40°C to 85°C
87004BGI-03LF	TBD	20 Lead "Lead-Free" TSSOP	tube	-40°C to 85°C
87004BGI-03LFT	TBD	20 Lead "Lead-Free" TSSOP	2500 tape & reel	-40°C to 85°C

NOTE: Parts that are ordered with an "LF" suffix to the part number are the Pb-Free configuration and are RoHS compliant.

While the information presented herein has been checked for both accuracy and reliability, Integrated Device Technology, Incorporated (IDT) assumes no responsibility for either its use or for infringement of any patents or other rights of third parties, which would result from its use. No other circuits, patents, or licenses are implied. This product is intended for use in normal commercial and industrial applications. Any other applications such as those requiring high reliability or other extraordinary environmental requirements are not recommended without additional processing by IDT. IDT reserves the right to change any circuitry or specifications without notice. IDT does not authorize or warrant any IDT product for use in life support devices or critical medical instruments.

Innovate with IDT and accelerate your future networks. Contact:

www.IDT.com

For Sales

800-345-7015 (inside USA)
+408-284-8200 (outside USA)
Fax: 408-284-2775
www.IDT.com/go/contactIDT

For Tech Support

netcom@idt.com
+480-763-2056

Corporate Headquarters

Integrated Device Technology, Inc.
6024 Silver Creek Valley Road
San Jose, CA 95138
United States
800-345-7015 (inside USA)
+408-284-8200 (outside USA)