

BM1117A

GENERAL DESCRIPTION

The BM1117A series of adjustable and fixed voltage regulator are designed to provide 0.8A output current and to operate down to 1V input-to-output differential. The dropout voltage of the device is guaranteed maximum 1.3V at maximum output current, decreasing at lower load currents.

On-chip trimming adjusts the reference voltage to within 1% accuracy. Current limit is also trimmed, minimizing the stress under overload conditions on both the regulator and power source circuitry.

The BM1117A devices are pin compatible with other three-terminal SCSII regulators and are offered in the low profile surface mount SOT-223 package and in the TO252-2 small plastic package.

FEATURES

- ◆ Three Terminal Adjustable or Fixed Voltages*
1.5V, 1.8V, 2.5V, 2.85V, 3.3V and 5.0V
- ◆ Output Current of 0.8A
- ◆ Up to +15V input max.
- ◆ Line Regulation: 0.2% Max.
- ◆ Load Regulation: 0.4% Max.
- ◆ SOT-223 and TO-252-2 package

APPLICATIONS

- ◆ High Efficiency Linear Regulators
- ◆ Post Regulators for Switching Supplies
 - ◆ 5V to 3.3V Linear Regulator
- ◆ Power Management for Notebook
- ◆ Battery Chargers
- ◆ Battery Powered Instrumentation
- ◆ Active SCSI Terminators

ORDERING INFORMATION

PACKAGE TYPE		OPERATING JUNCTION TEMPERATURE RANGE
TO-252	SOT-223	
BM1117D-ADJ	BM1117A-ADJ	-20 to 125° C
BM1117D-1.5	BM1117A-1.5	-20 to 125° C
BM1117D-1.8	BM1117A-1.8	-20 to 125° C
BM1117D-2.5	BM1117A-2.5	-20 to 125° C
BM1117D-2.85	BM1117A-2.85	-20 to 125° C
BM1117D-3.3	BM1117A-3.3	-20 to 125° C
BM1117D-5.0	BM1117A-5.0	-20 to 125° C

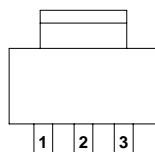
*For additional available fixed voltages contact factory.

PIN DESCRIPTIONS

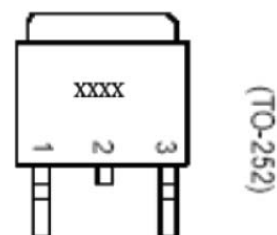
FIXED VERSION
1- Ground
2- V_{OUT}
3- V_{IN}

ADJUSTABLE VERSION
1- Adjust
2- V_{OUT}
3- V_{IN}

SOT-223 Top View



TO-252-2 FRONT VIEW



SPECIFICATION**BM1117A****ABSOLUT MAXIMUM RATINGS**(Note 1)

Power Dissipation	Internally limited	Soldering information	
Input Voltage	17V	Lead Temperature (10 sec)	300°C
Operating Junction Temperature		Thermal Resistance	
Control Section	-20°C to 125°C	TO-252 package	ϕ JA= 60°C/W
Power Transistor	-20°C to 150°C	SOT-223 package	ϕ JA= 90°C/W*
Storage temperature	- 65°C to +150°C	* With package soldering to copper area over backside ground plane or internal power plane ϕ JA can vary from 46°C/W to >90°C/W depending on mounting technique and the size of the copper area.	

ELECTRICAL CHARACTERISTICSElectrical Characteristics at $I_{OUT} = 0$ mA, and $T_J = +25^\circ\text{C}$ unless otherwise specified.

Parameter	Device	Conditions	Min	Typ	Max	Units
Reference Voltage (Note 2)	BM1117A	$I_{OUT} = 10$ mA $10\text{mA} \leq I_{OUT} \leq 0.8\text{A}$, $1.5\text{V} \leq (V_{IN} - V_{OUT}) \leq 12\text{V}$	1.238	1.250	1.262	V
			1.225	1.250	1.270	V
Output Voltage (Note 2)	BM1117A-1.5	$0 \leq I_{OUT} \leq 0.8\text{A}$, $3.0\text{V} \leq V_{IN} \leq 12\text{V}$	1.485	1.500	1.515	V
	1.476		1.500	1.524	V	
	BM1117A-1.8	$0 \leq I_{OUT} \leq 0.8\text{A}$, $3.3\text{V} \leq V_{IN} \leq 12\text{V}$	1.782	1.800	1.818	V
	1.773		1.800	1.827	V	
	BM1117A-2.5	$0 \leq I_{OUT} \leq 0.8\text{A}$, $4.0\text{V} \leq V_{IN} \leq 12\text{V}$	2.475	2.500	2.525	V
	2.460		2.500	2.560	V	
	BM1117A-2.85	$0 \leq I_{OUT} \leq 0.8\text{A}$, $4.35\text{V} \leq V_{IN} \leq 12\text{V}$	2.82	2.850	2.88	V
	2.79		2.850	2.91	V	
	BM1117A-3.3	$0 \leq I_{OUT} \leq 0.8\text{A}$, $4.75\text{V} \leq V_{IN} \leq 12\text{V}$	3.267	3.300	3.333	V
	3.235		3.300	3.365	V	
	BM1117A-5.0	$0 \leq I_{OUT} \leq 0.8\text{A}$, $6.5\text{V} \leq V_{IN} \leq 12\text{V}$	4.950	5.000	5.050	V
	4.900		5.000	5.100	V	
Line Regulation	BM1117A	$I_{OUT} = 10$ mA , $1.5\text{V} \leq (V_{IN} - V_{OUT}) \leq 12\text{V}$		0.015	0.2	%
				0.035	0.2	%
	BM1117A-1.5	$3.0\text{V} \leq V_{IN} \leq 12\text{V}$		0.3	5	mV
	0.6		6	mV		
	BM1117A-1.8	$3.3\text{V} \leq V_{IN} \leq 12\text{V}$		0.3	5	mV
	0.6		6	mV		
	BM1117A-2.5	$4.0\text{V} \leq V_{IN} \leq 12\text{V}$		0.3	6	mV
	0.6		6	mV		
	BM1117A-2.85	$4.35\text{V} \leq V_{IN} \leq 12\text{V}$		0.3	6	mV
	0.6		6	mV		
	BM1117A-3.3	$4.75\text{V} \leq V_{IN} \leq 12\text{V}$		0.5	10	mV
	1.0		10	mV		
	BM1117A-5.0	$6.5\text{V} \leq V_{IN} \leq 12\text{V}$		0.5	10	mV
	1.0		10	mV		

SPECIFICATION				BM1117A		
Parameter	Device	Conditions	Min	Typ	Max	Units
Load Regulation (Notes 2, 3)	BM1117A	$(V_{IN} - V_{OUT}) = 3V$, $10mA \leq I_{OUT} \leq 0.8A$		0.1 0.2	0.3 0.4	%
	BM1117A-1.5	$V_{IN} = 5V$, $0 \leq I_{OUT} \leq 0.8A$		3 6	10 20	mV mV
	BM1117A-1.8	$V_{IN} = 5V$, $0 \leq I_{OUT} \leq 0.8A$		3 6	10 20	mV mV
	BM1117A-2.5	$V_{IN} = 5V$, $0 \leq I_{OUT} \leq 0.8A$		3 6	12 20	mV mV
	BM1117A-2.85	$V_{IN} = 5V$, $0 \leq I_{OUT} \leq 0.8A$		3 6	12 20	mV mV
	BM1117A-3.3	$V_{IN} = 5V$, $0 \leq I_{OUT} \leq 0.8A$		3 7	15 25	mV mV
	BM1117A-5.0	$V_{IN} = 8V$, $0 \leq I_{OUT} \leq 0.8A$		5 10	20 35	mV mV
Dropout Voltage ($V_{IN} - V_{OUT}$)	BM1117A /-1.5/-1.8/-2.5/-2.85/-3.3/-5.0	ΔV_{OUT} , $\Delta V_{REF} = 1\%$, $I_{OUT} = 0.8A$ (Note 4)		1.0	1.3	V
Current Limit	BM1117A /-1.5/-1.8/-2.5/-2.85/-3.3/-5.0	$(V_{IN} - V_{OUT}) = 5V$	900	1,100	1,500	mA
Minimum Load Current	BM1117A	$(V_{IN} - V_{OUT}) = 12V$ (Note 5)		3	5	mA
Quiescent Current	BM1117A /-1.5/-1.8/-2.5/-2.85/-3.3/-5.0	$V_{IN} \leq 12V$		3	5	mA
Ripple Rejection	BM1117A	$f = 120Hz$, $C_{OUT} = 22\mu F$ Tantalum, $I_{OUT} = 0.8A$, $(V_{IN} - V_{OUT}) = 3V$, $C_{ADJ} = 10\mu F$	60	75		dB
	BM1117A-1.5/-1.8/-2.5/-2.85	$f = 120Hz$, $C_{OUT} = 22\mu F$ Tantalum, $I_{OUT} = 0.8A$, $V_{IN} = 6V$	60	72		dB
	BM1117A-3.3	$f = 120Hz$, $C_{OUT} = 22\mu F$ Tantalum, $I_{OUT} = 0.8A$, $V_{IN} = 6.3V$	60	72		dB
	BM1117A-5.0	$f = 120Hz$, $C_{OUT} = 22\mu F$ Tantalum, $I_{OUT} = 0.8A$, $V_{IN} = 8V$	60	68		dB
Thermal Regulation	BM1117A	$T_A = 25^\circ C$, 30ms pulse		0.008	0.04	%W
Adjust Pin Current	BM1117A	$10mA \leq I_{OUT} \leq 0.8A$, $1.5V \leq (V_{IN} - V_{OUT}) \leq 12V$		55	120	μA μA
Adjust Pin Current Change	BM1117A	$10mA \leq I_{OUT} \leq 0.8A$, $1.5V \leq (V_{IN} - V_{OUT}) \leq 12V$		0.2	5	μA
Temperature Stability				0.5		%

SPECIFICATION				BM1117A		
Parameter	Device	Conditions	Min	Typ	Max	Units
Long Term Stability		$T_A = 125^\circ\text{C}$, 1000Hrs		0.3	1	%
RMS Output Noise (% of V_{OUT})		$T_A = 25^\circ\text{C}$, $10\text{Hz} \leq f \leq 10\text{kHz}$		0.003		%
Thermal Resistance Junction-to-Case					15	$^\circ\text{C/W}$

Parameters identified with **boldface type** apply over the full operating temperature range.

Note 1: Absolute Maximum Ratings indicate limits beyond which damage to the device may occur. For guaranteed specifications and test conditions, see the Electrical Characteristics. The guaranteed specifications apply only for the test conditions listed.

Note 2: Line and Load regulation are guaranteed up to the maximum power dissipation of 1.2 W. Power dissipation is determined by the input/output differential and the output current. Guaranteed maximum power dissipation will not be available over the full input/output range.

Note 3: See thermal regulation specifications for changes in output voltage due to heating effects. Line and load regulation are measured at a constant junction temperature by low duty cycle pulse testing. Load regulation is measured at the output lead $\sim 1/8"$ from the package.

Note 4: Dropout voltage is specified over the full output current range of the device.

Note 5: Minimum load current is defined as the minimum output current required to maintain regulation. When $1.5\text{V} \leq (V_{IN} - V_{OUT}) \leq 12\text{V}$ the device is guaranteed to regulate if the output current is greater than 10mA.

APPLICATION HINTS

The BM1117A series of adjustable and fixed regulators are easy to use and are protected against short circuit and thermal overloads. Thermal protection circuitry will shut-down the regulator should the junction temperature exceed 165°C at the sense point.

Pin compatible with older three terminal adjustable regulators, these devices offer the advantage of a lower dropout voltage, more precise reference tolerance and improved reference stability with temperature.

Stability

The circuit design used in the BM1117A series requires the use of an output capacitor as frequency compensation. The addition of $22\mu\text{F}$ solid tantalum or $150\mu\text{F}$ aluminum on the output will ensure stability for all operating conditions.

When adjustment terminal is bypassed with a capacitor to improve ripple rejection, the requirement for output capacitor increase. The value of $22\mu\text{F}$ tantalum or $150\mu\text{F}$ aluminum covers all cases of bypassing the adjustment terminal. Without bypassing the adjustment terminal smaller capacitors can be used with equally good results.

To ensure good transient response with heavy load current changes capacitor values on the order of 100mF are used in the output of many regulators. To further improve stability and transient response of these devices larger values of output capacitor can be used.

Protection Diodes

Unlike older regulators, the BM1117A family does not need any protection diodes between the adjustment pin and the output and from the output to the input to prevent over-stressing the die. Internal resistors are limiting the internal

.current paths on the BM1117A adjustment pin, therefore even with capacitors on the adjustment pin no protection diode is needed to ensure device safety under short-circuit conditions.

Diodes between the input and output are not usually needed. Microsecond surge currents of 50A to 100A can be handled by the internal diode between the input and output pins of the device. In normal operations it is difficult to get those values of surge currents even with the use of large output capacitances. If high value output capacitors are used, such as 1000mF to 5000mF and the input pin is instantaneously shorted to ground,

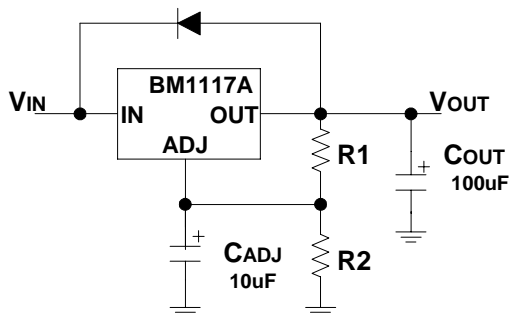


Figure 1.

Load Regulation

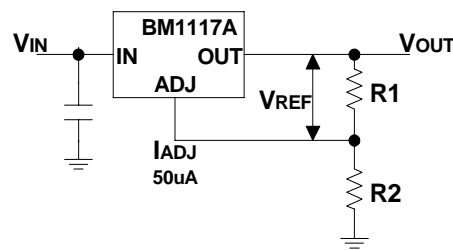
True remote load sensing it is not possible to provide, because the BM1117A is a three terminal device. The resistance of the wire connecting the regulator to the load will limit the load regulation. The data sheet specification for load regulation is measured at the bottom of the package. Negative side sensing is a true Kelvin connection, with the bottom of the output divider returned to the negative side of the load.

The best load regulation is obtained when the top of the resistor divider R1 is connected directly to the case not to the load. If R1 were connected to the load, the

damage can occur. A diode from output to input is recommended, when a crowbar circuit at the input of the BM1117A is used (Figure 1).

Output Voltage

The BM1117A series develops a 1.25V reference voltage between the output and the adjust terminal. Placing a resistor between these two terminals causes a constant current to flow through R1 and down through R2 to set the overall output voltage. This current is normally the specified minimum load current of 10mA. Because I_{ADJ} is very small and constant it represents a small error and it can usually be ignored



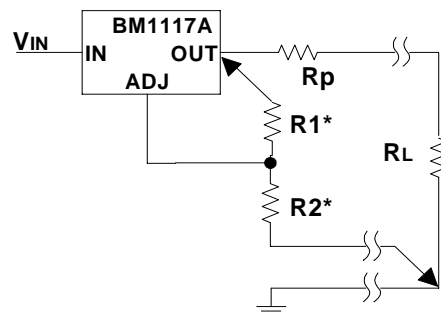
$$V_{OUT} = V_{REF} (1 + R2/R1) \quad 47 \text{ ohm} < R1 < 1500 \text{ ohm}$$

Figure 2. Basic Adjustable Regulator

effective resistance between the regulator and the load would be:

$$R_P \times ((R2+R1)/ R1),$$

R_P = Parasitic Line Resistance



*CONNECT R1 TO CASE

*CONNECT R2 TO LOAD

Figure 3. Connections for Best Load Regulation

Connected as shown above , RP is not multiplied by the divider ratio
 In the case of fixed voltage devices the top of R1 is connected Kelvin internally, and the ground pin can be used for negative side sensing.

Thermal Considerations

The BM1117A series have internal power and thermal limiting circuitry designed to protect the device under overload conditions. However maximum junction temperature ratings of 125°C should not be exceeded under continuous normal load conditions.

Careful consideration must be given to all sources of thermal resistance from junction to ambient. For the surface mount package SOT-223 additional heat sources mounted near the device must be considered. The heat dissipation capability of the PC board and its copper traces is used as a heat sink for the device. The thermal resistance from the junction to the tab for the BM1117A is 15°C/W. Thermal resistance from tab to ambient can be as low as 30°C/W.

The total thermal resistance from junction to ambient can be as low as 45°C/W. This requires a reasonable sized PC board with at least on layer of copper to spread the heat across the board and couple it into the surrounding air.

Experiments have shown that the heat spreading copper layer does not need to be electrically connected to the tab of the device. The PC material can be very effective at transmitting heat between the pad area, attached to the pad of the device, and a ground plane layer either inside or on the opposite side of the board. Although the actual thermal resistance of the PC material is high, the Length/Area ratio of the thermal resistance between layers is small. The data in Table 1, was taken using 1/16" FR-4 board with 1 oz. copper foil, and it can be used as a rough guideline for estimating thermal resistance.

For each application the thermal resistance will be affected by thermal interactions with other components on the board. To determine the actual value some experimentation will be necessary.

The power dissipation of the BM1117A is equal to:

$$P_D = (V_{IN} - V_{OUT}) (I_{OUT})$$

Maximum junction temperature will be equal to:

$$T_J = T_{A(MAX)} + P_D$$

P_D :Thermal esistance (junction-to-ambient)

Maximum junction temperature must not exceed 125°C.

SOT223 Table 1.

COPPER AREA		BOARD AREA	THERMAL RESISTANCE (JUNCTION-TO-AMBIENT)
TOP SIDE*	BACK SIDE		
2500 Sq. mm	2500 Sq. mm	2500 Sq. mm	45°C/W
1000 Sq. mm	2500 Sq. mm	2500 Sq. mm	45°C/W
225 Sq. mm	2500 Sq. mm	2500 Sq. mm	53°C/W
100 Sq. mm	2500 Sq. mm	2500 Sq. mm	59°C/W
1000 Sq. mm	1000 Sq. mm	1000 Sq. mm	52°C/W
1000 Sq. mm	0	1000 Sq. mm	55°C/W

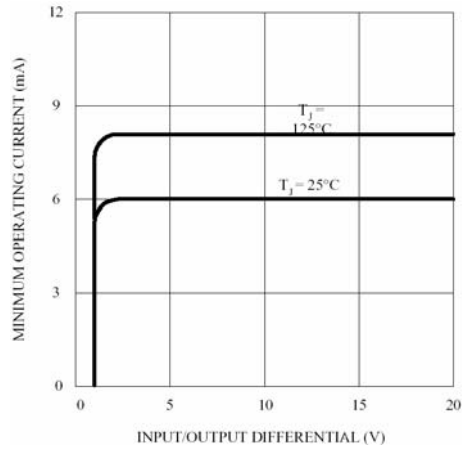
Ripple Rejection

The ripple rejection values are measured with the adjustment pin bypassed. The impedance of the adjust pin capacitor at the ripple frequency should be less than the value of R1 (normally 100Ω to 200Ω) for a proper bypassing and ripple rejection approaching the values shown. The size of the required adjust pin capacitor is a function of the input ripple frequency. If R1=100Ω at 120Hz the adjust pin capacitor should be >13mF. At 10kHz only 0.16mF is needed.

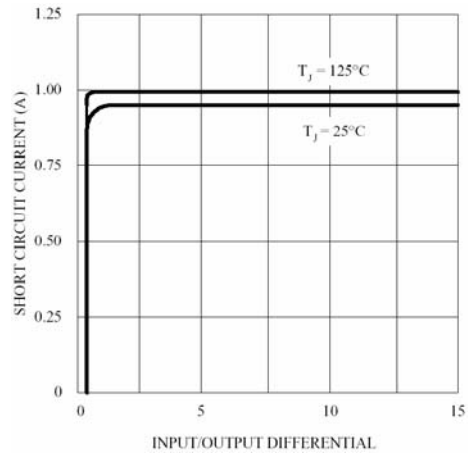
The ripple rejection will be a function of output voltage, in circuits without an adjust pin bypass capacitor. The output ripple will increase directly as a ratio of the output voltage to the reference voltage (V_{OUT} / V_{REF}).

TYPICAL CHARACTERISTICS

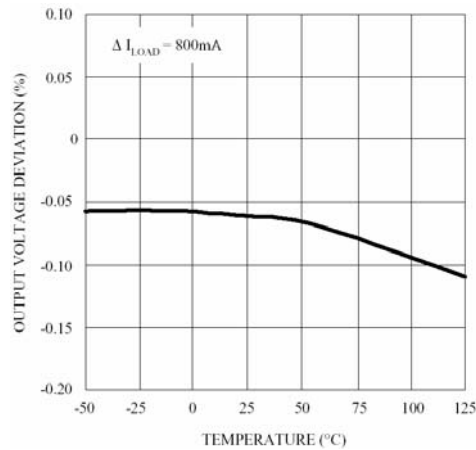
Minimum Operating Current
(Adjustable Device)



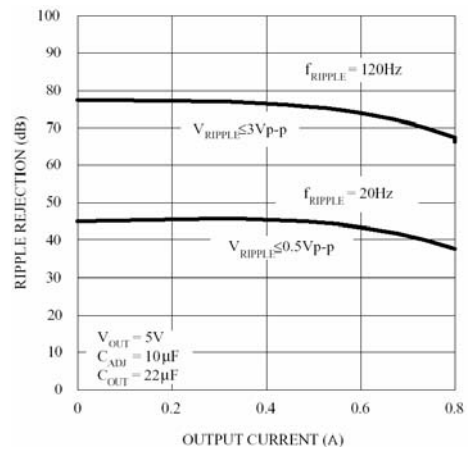
Short-Circuit Current



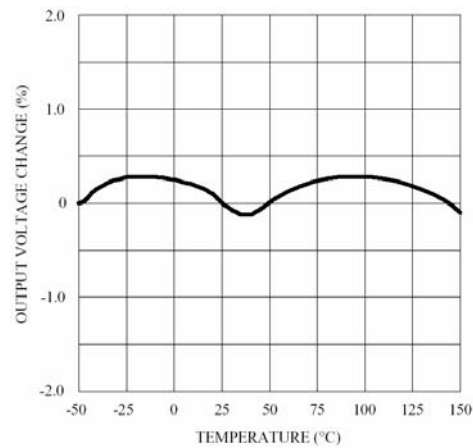
Load Regulation



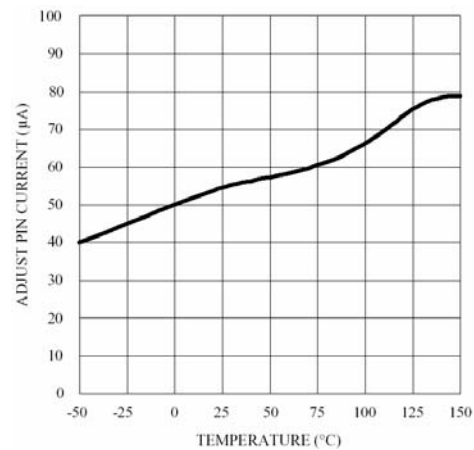
Ripple Rejection vs. Current



Temperature Stability



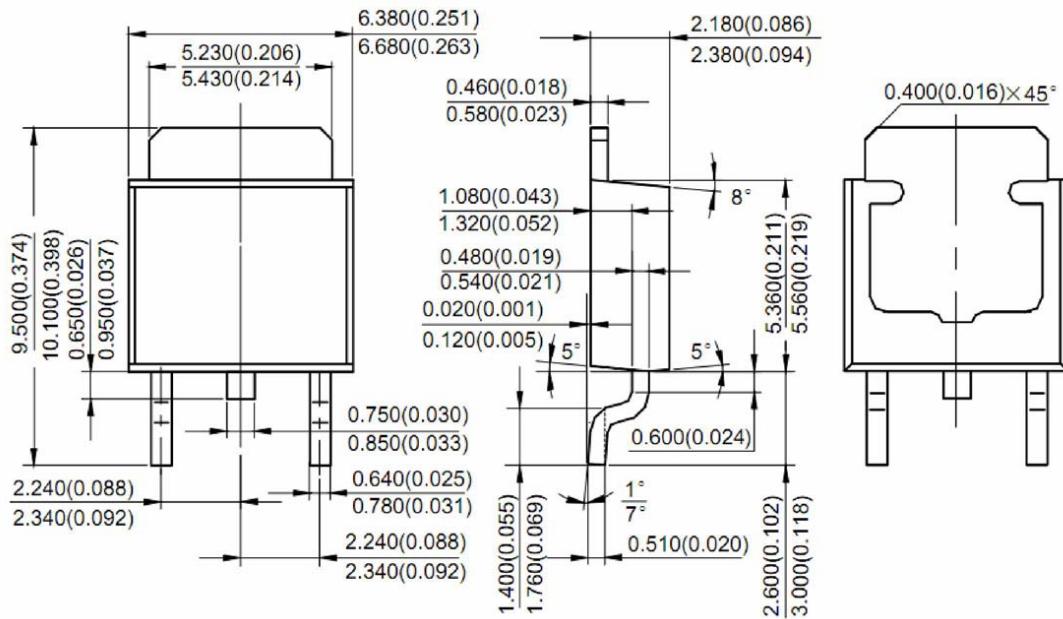
Adjust Pin Current



SPECIFICATION

BM1117A

● TO252-2



● SOT223-3

