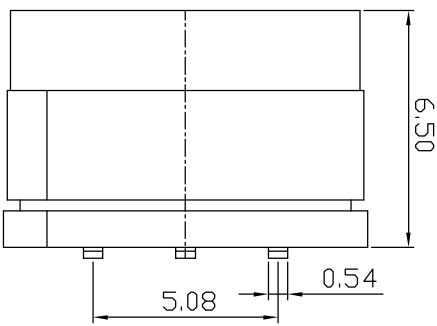
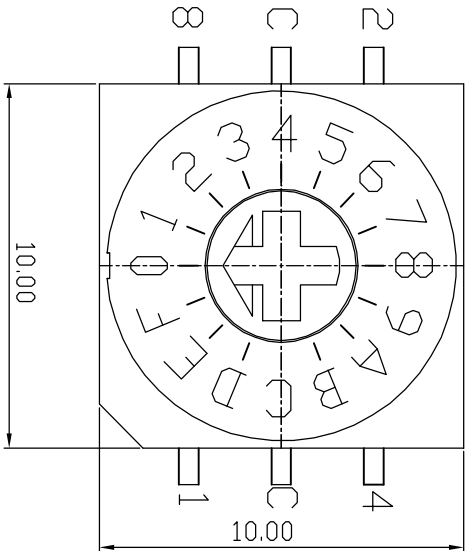


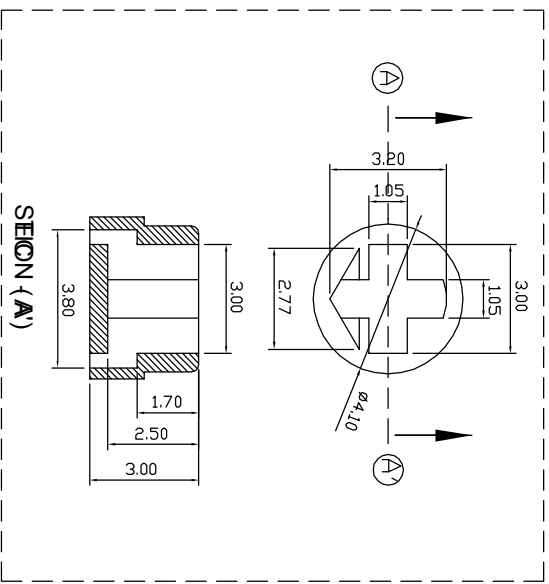
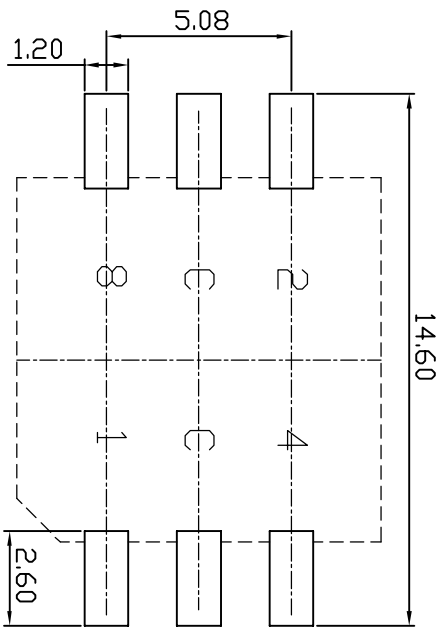
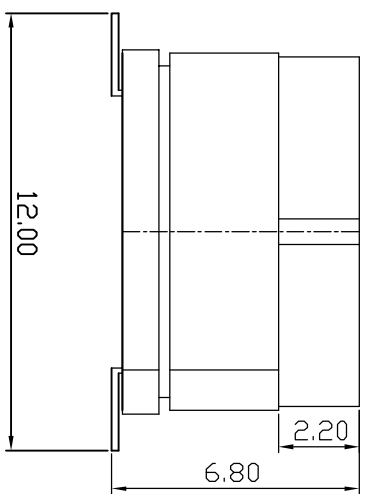
WORK	DATE	REMARKS
△		
△		



SPECIFICATION

1. Rating : 150mA, 42V DC (Switching)
200mA, 42V DC (None-Switching)
2. Contact Resistance : 80mΩ Max
3. Insulation Resistance : 100MΩ Min
4. Operating Force : 700gf Max
5. Life cycle : 10,000 steps

Real Code		C	1	2	4	8
0	●	●				
1	●	●	●			
2	●	●	●	●		
3	●	●	●	●	●	
4	●	●	●	●	●	●
5	●	●	●	●	●	●
6	●	●	●	●	●	●
7	●	●	●	●	●	●
8	●	●	●	●	●	●
9	●	●	●	●	●	●
A	●	●	●	●	●	●
B	●	●	●	●	●	●
C	●	●	●	●	●	●
D	●	●	●	●	●	●
E	●	●	●	●	●	●
F	●	●	●	●	●	●



P.C.B DIMENSION

APPD	CHKD	D'SGD	TITLE
KL LEE	J.P ROH	H.S LEE	ROTARY DIP SWITCH
MODEL NO.		TER-16S	
SUNGMUN ELECTRONICS CO., LTD.		REV A	