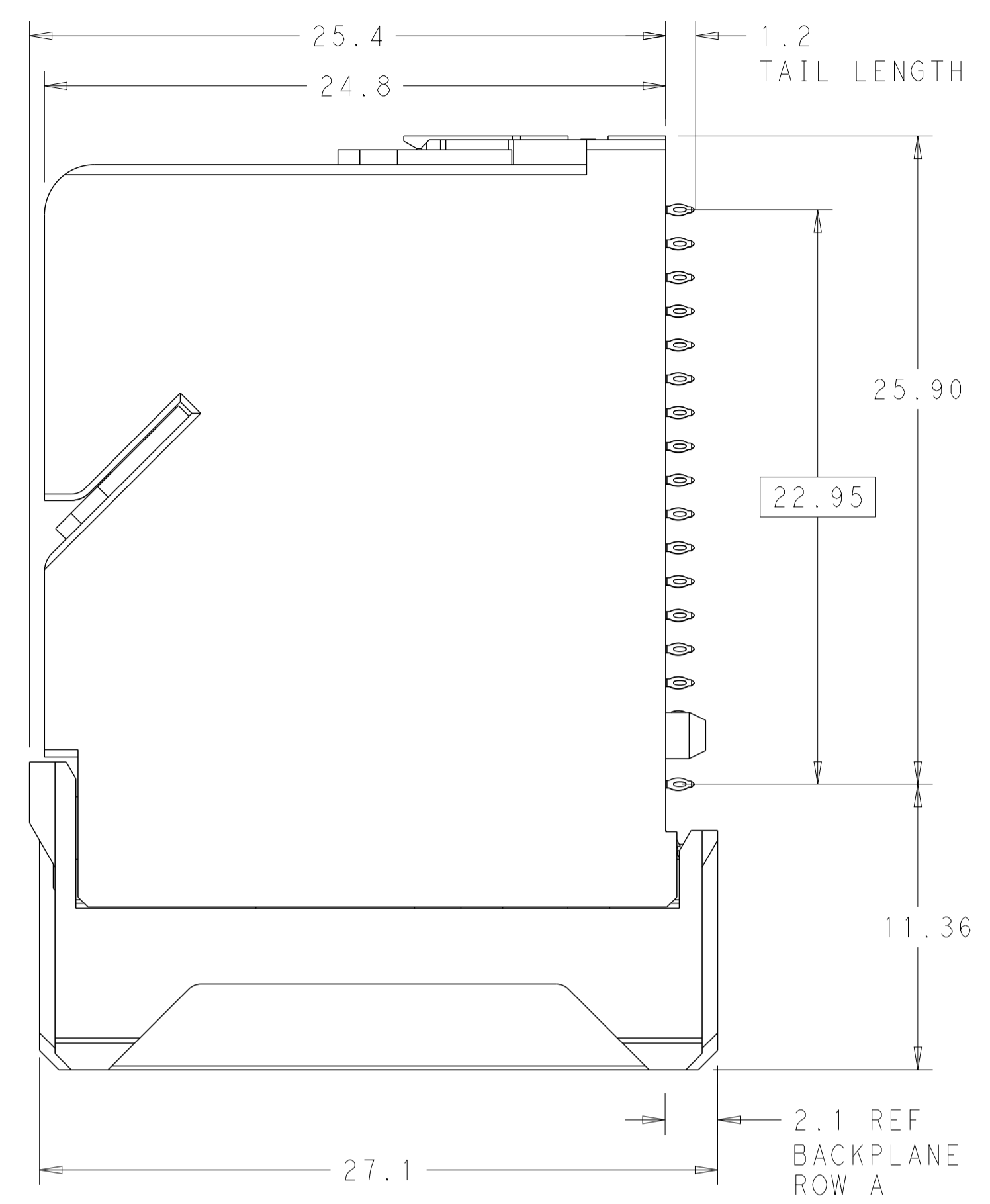
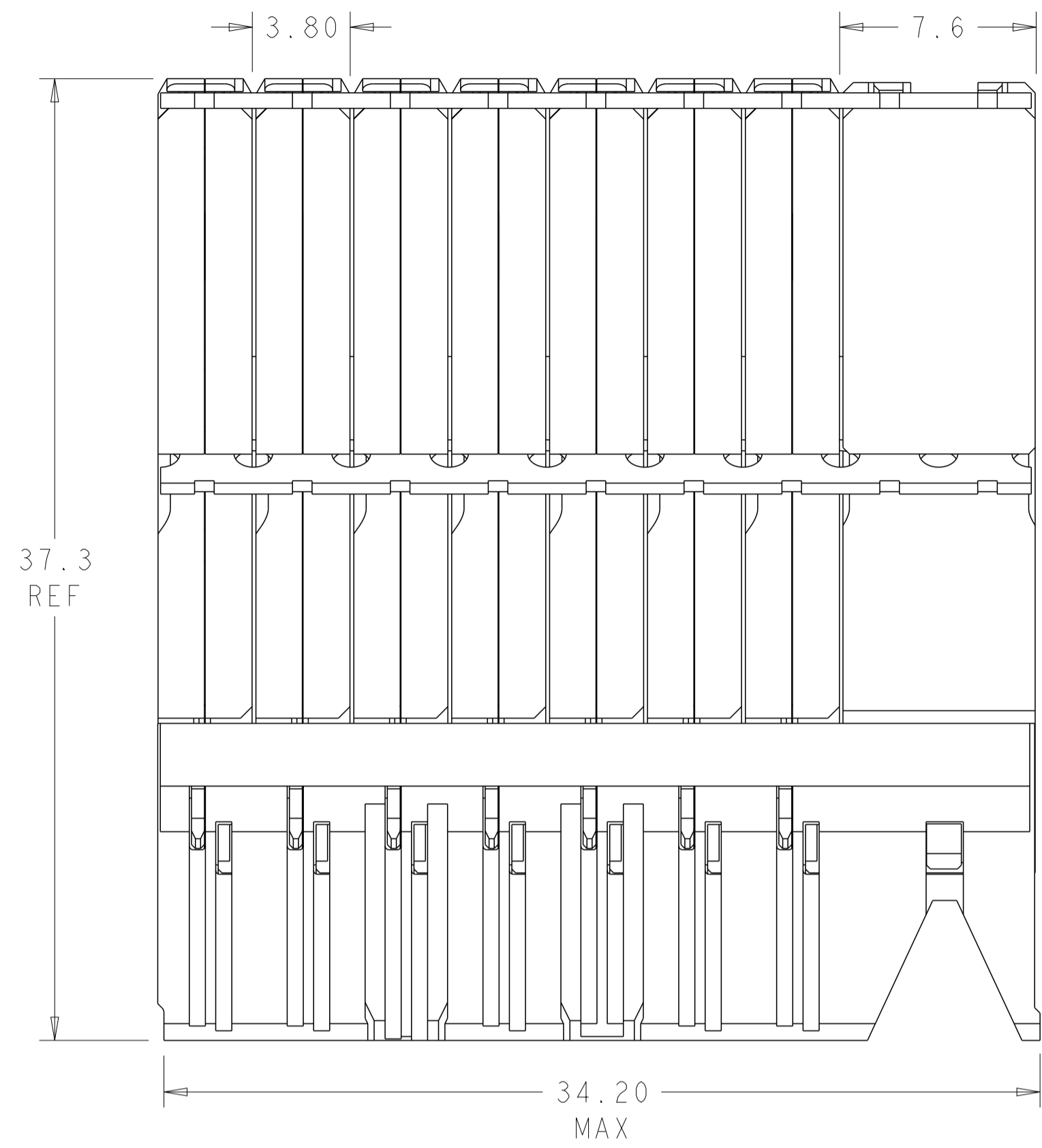
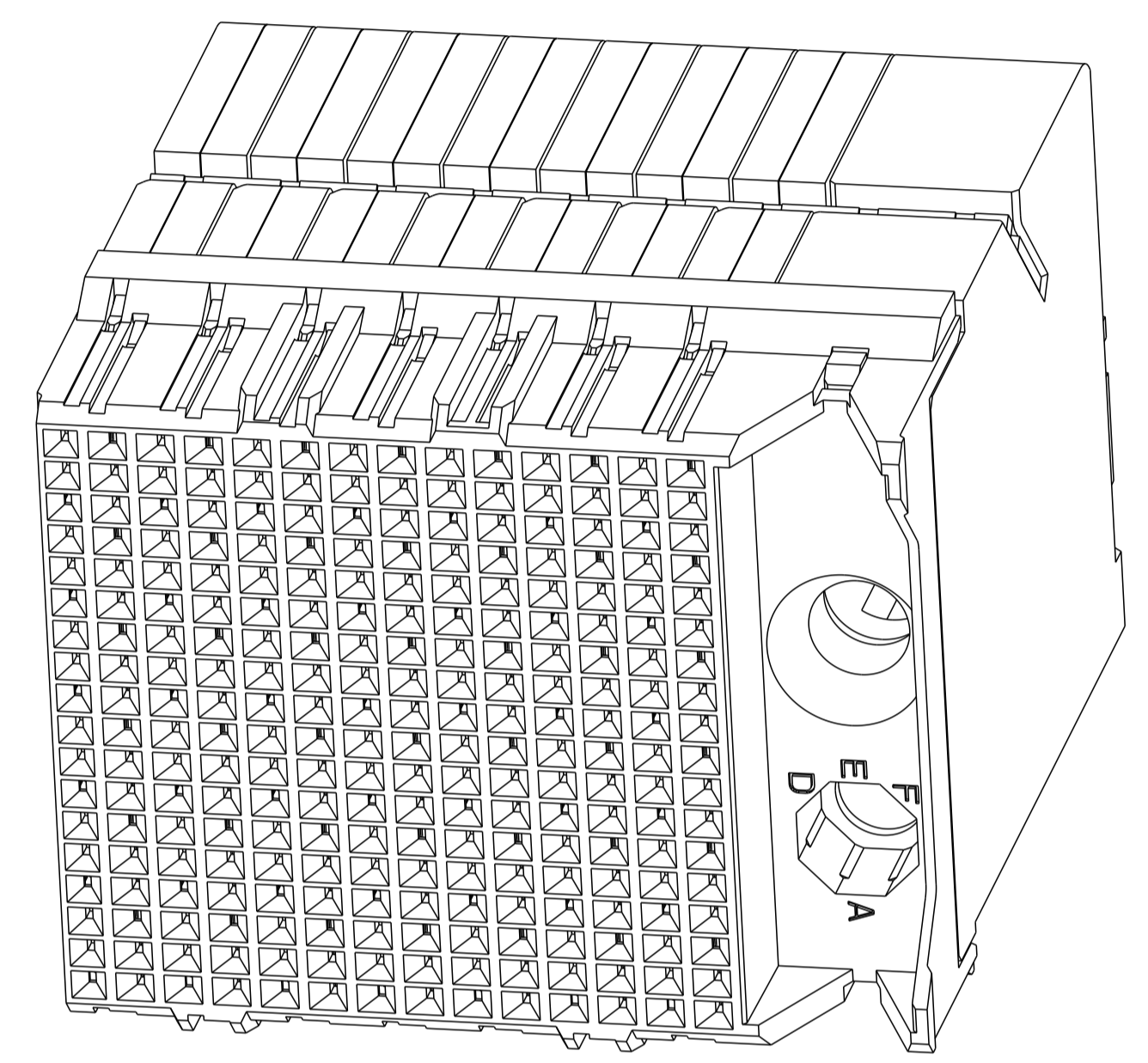


REVISIONS				
P	LTN	DESCRIPTION	DATE	APVD
E		REVISED PER ECO-15-012351	03SEP2015	AP SY

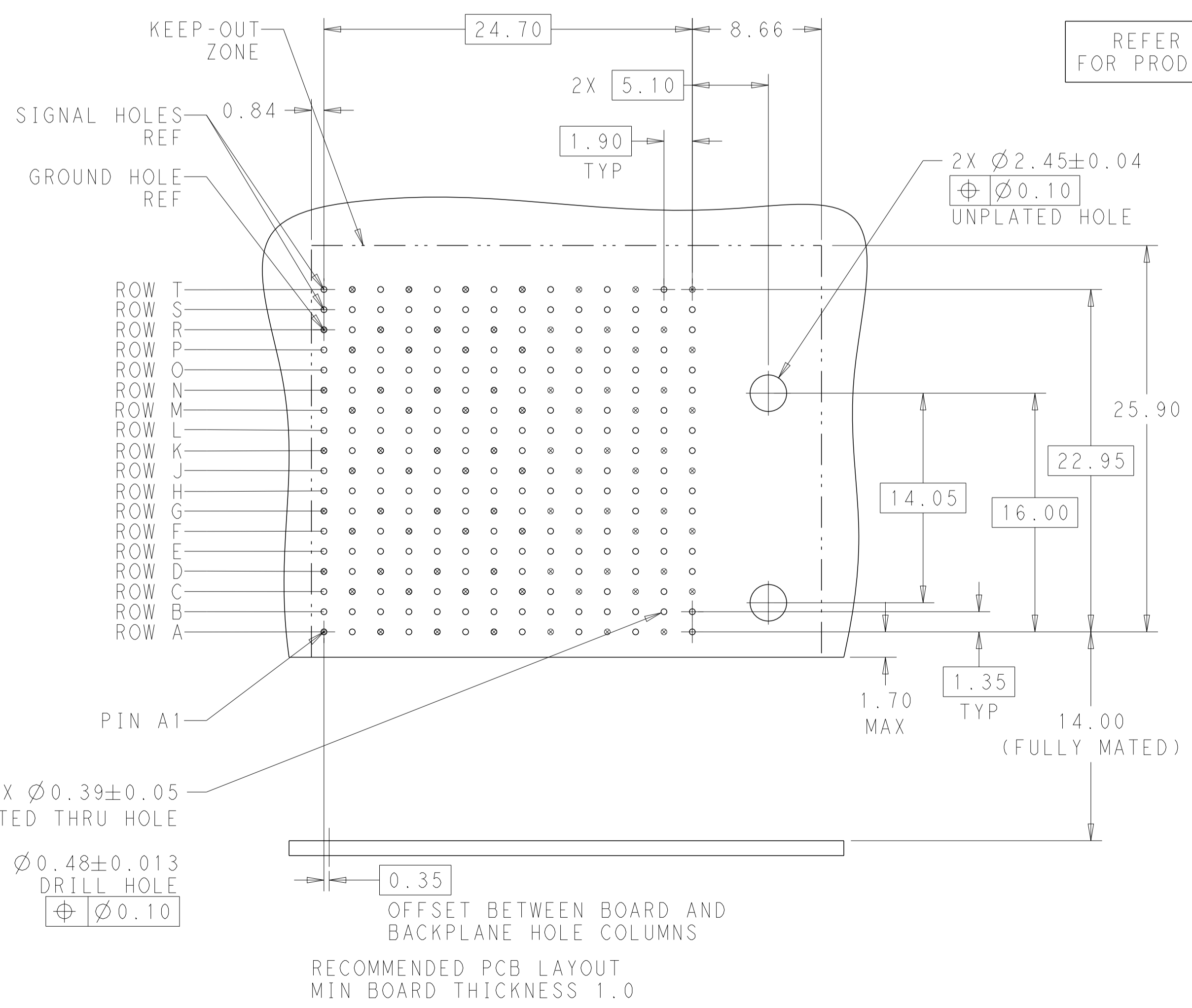
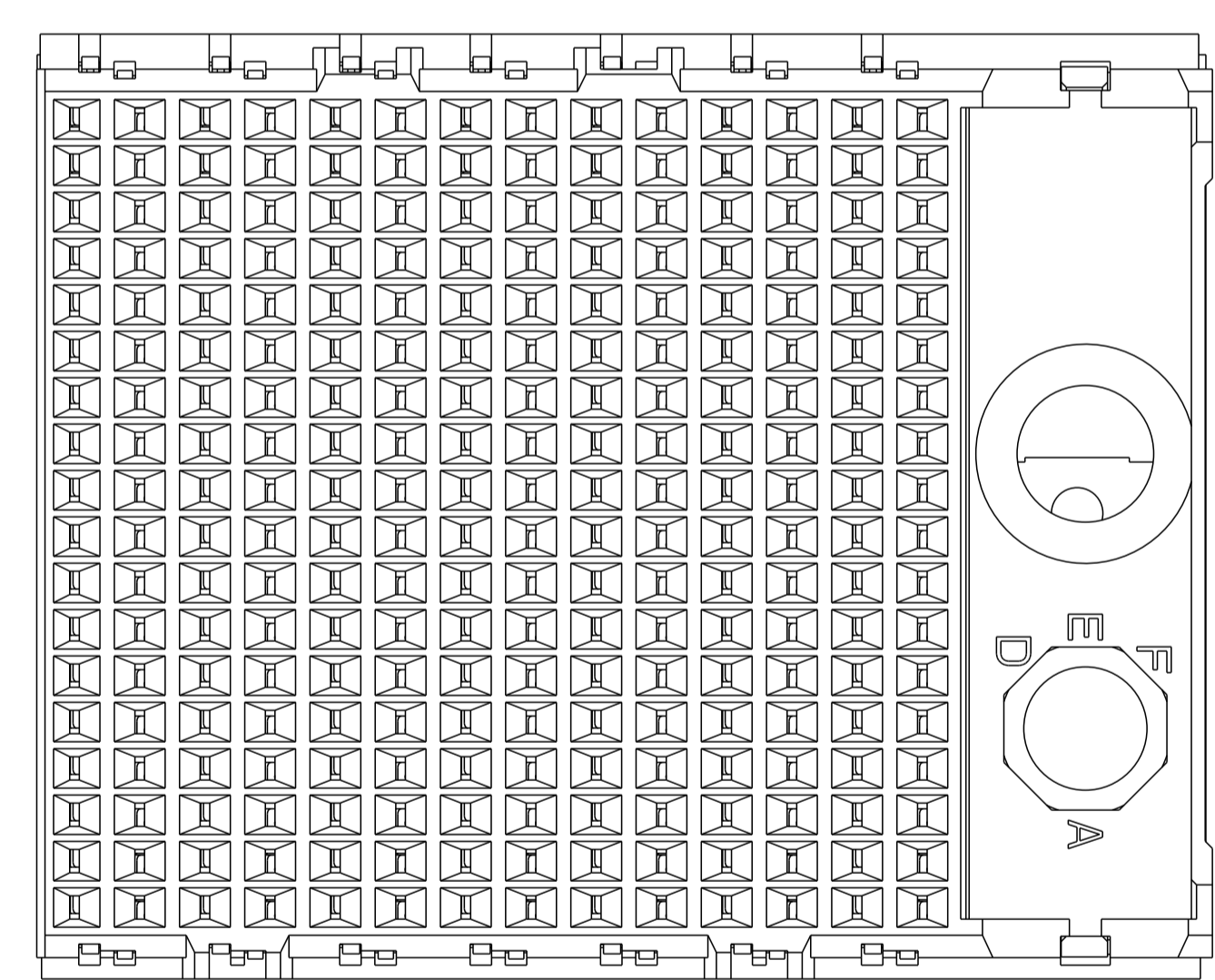


- ⚠ MATERIAL:
HOUSING: LCP, GLASS FILLED, UL94V-0.
TERMINALS: HIGH PERFORMANCE COPPER ALLOY.
- ⚠ FINISH:
30µ" SELECTIVE GOLD IN CONTACT AREA. SELECTIVE TIN ON PCB TAILS, NICKEL OVERALL.
- 3. CONNECTORS SUPPLIED WITH MOUNTING SCREWS



SCALE 4:1

REFER TO WWW.TE.COM FOR PRODUCT AVAILABILITY



KEY POSITION CHART

NONE	
A	M
B	T
C	G
D	H

KEY POSITION	FINISH	PART NUMBER
H	⚠	8-2057990-1
G	⚠	7-2057990-1
F	⚠	6-2057990-1
E	⚠	5-2057990-1
D	⚠	4-2057990-1
C	⚠	3-2057990-1
B	⚠	2-2057990-1
A	⚠	1-2057990-1
NONE	⚠	2057990-1

THIS DRAWING IS A CONTROLLED DOCUMENT.

DIMENSIONS:	TOLERANCES UNLESS OTHERWISE SPECIFIED:	OWN: B. CARBO 19AUG2010	NAME: IMPACT, STD, R/A, 6 PAIR, 14 COLUMN, DAUGHTERCARD, RIGHT GUIDED SIGNAL MODULE, 0.39 EYELET
mm	0 PLC ±0.2	CHK: D. DIXON 19AUG2010	SIZE: CAGE CODE DRAWING NO
	1 PLC ±0.10	APVD: D. DIXON 19AUG2010	RESTRICTED TO
	2 PLC ±0.10	PRODUCT SPEC	
	3 PLC ±0.10	APPLICATION SPEC	
	4 PLC ±0.10	WEIGHT	A100779C=2057990
	ANGLES ±0.10	Customer Drawing	SCALE 5:1 SHEET 1 OF 1 REV E
MATERIAL:	SEE TABLE		