

**PLEASE CHECK WWW.MOLEX.COM FOR LATEST PART INFORMATION**

**Part Number:** [0850010385](#)  
**Status:** **Active**  
**Overview:** [din\\_41612](#)  
**Description:** 2.54mm (.100") Pitch DIN 41612 Header, Style B, Right Angle, Through Hole, 0.6µm (24µ") Selective Gold (Au), 64 Circuits

**Documents:**

[3D Model](#) [RoHS Certificate of Compliance \(PDF\)](#)  
[Drawing \(PDF\)](#)

**Agency Certification**

CSA LR19980  
 UL E29179

**General**

Product Family Backplane Connectors  
 Series [85001](#)  
 Application Daughtercard  
 Component Type PCB Header  
 Overview [din\\_41612](#)  
 Product Name IEC 603-2/DIN 41612  
 Style B

**Physical**

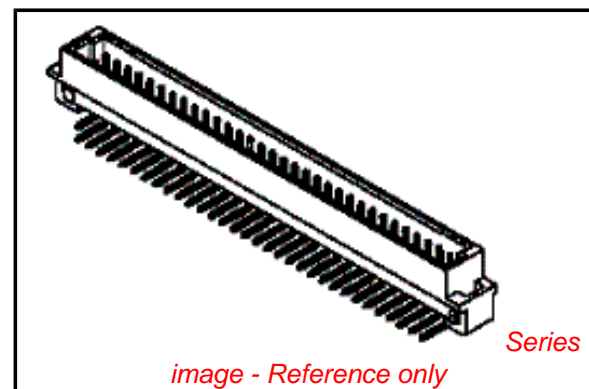
Circuits (Loaded) 64  
 Circuits (maximum) 64  
 Durability (mating cycles max) 400  
 First Mate / Last Break Yes  
 Flammability 94V-0  
 Guide to Mating Part No  
 Keying to Mating Part Yes  
 Number of Columns 16  
 Number of Pairs Open Pin Field  
 Number of Rows 2  
 Orientation Right Angle  
 PC Tail Length (in) 0.118 In  
 PC Tail Length (mm) 3.00 mm  
 PCB Locator No  
 PCB Retention Yes  
 PCB Thickness Recommended (in) 0.062 In  
 PCB Thickness Recommended (mm) 1.60 mm  
 Packaging Type Tray  
 Pitch - Mating Interface (in) 0.100 In  
 Pitch - Mating Interface (mm) 2.54 mm  
 Pitch - Term. Interface (in) 0.100 In  
 Pitch - Term. Interface (mm) 2.54 mm  
 Temperature Range - Operating -55°C to +125°C  
 Termination Interface: Style Through Hole

**Electrical**

Current - Maximum per Contact 1.5A  
 Data Rate 622.0 Mbps  
 Voltage - Maximum 250V AC (RMS)

**Material Info**

**Reference - Drawing Numbers**



**EU RoHS**

**ELV and RoHS Compliant**  
**REACH SVHC**  
 Not Reviewed  
**Halogen-Free Status**  
**Not Reviewed**

**China RoHS**



**Need more information on product environmental compliance?**

Email [productcompliance@molex.com](mailto:productcompliance@molex.com)  
 For a multiple part number RoHS Certificate of Compliance, [click here](#)

Please visit the [Contact Us](#) section for any non-product compliance questions.

**Search Parts in this Series**

[85001Series](#)

**Mates With**

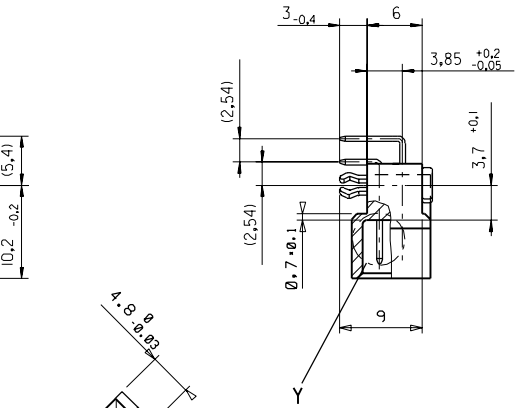
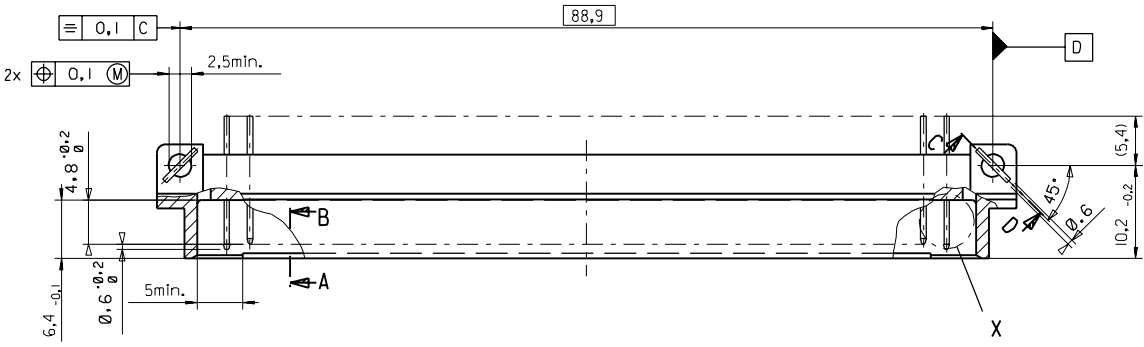
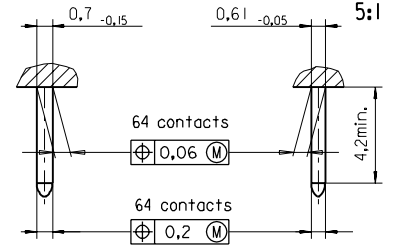
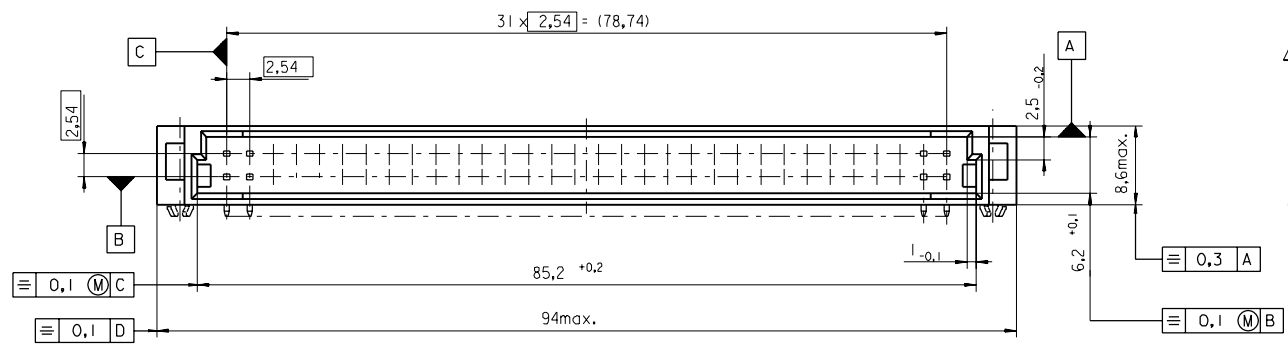
DIN 41612 Receptacle [85040](#) , [85050](#)

This document was generated on 05/17/2010

**PLEASE CHECK [WWW.MOLEX.COM](http://WWW.MOLEX.COM) FOR LATEST PART INFORMATION**

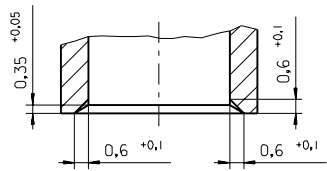
PART NO.  
DWG. NO.

View X 5:1 View Y 5:1



Section C - D

Section A - B  
5:1



FIRST ANGLE PROJECTION		REVISE ONLY ON CAD SYSTEM		SH.	REV.
first release see ECN No. 1887	L TR REVISIONS FOR PREVIOUS REVISIONS SEE MRI LIST	UNLESS OTHERWISE SPECIFIED TOLERANCES: ANGULAR ±2°	DRWG BY <b>Ca</b>	CAD/CAM PROJECT NAME 85001000 811	
		INCH METRIC	CHK'D BY <b>KN</b>	THIS DRAWING CONTAINS INFORMATION THAT IS PROPRIETARY TO MOLEX INC. & SHOULD NOT BE USED WITHOUT WRITTEN PERMISSION	
		3 PLACE ± . ±	APP'D BY	TITLE <b>64 pos. Male connector acc. DIN 41612 style B Dimensions</b>	
		2 PLACE ± . ±	SCALE <b>2:1</b>	SHEET NO. DATE 1 OF 95/06/06	
1 PLACE ± . ±	DESIGN DIMENSION <input checked="" type="checkbox"/> MM	MOLEX MOLEX EUROPE		SHEET NO. DATE	
DRAFT WHERE APPLICABLE MUST REMAIN WITHIN DIMENSIONS	EQUIVALENT DIMENSION <input type="checkbox"/> MM	PART NO.		DWG NO.	
IF TWO DIMENSIONS ARE SHOWN THE UPPER IS THE DESIGN DIMENSION, LOWER IS SECONDARY		SDA-85001-0001		SIZE <b>B</b>	

