

# WITTEN COMPANY, INC.

## 2005 SERIES INSERT THRU-HOLE W/ FLANGE

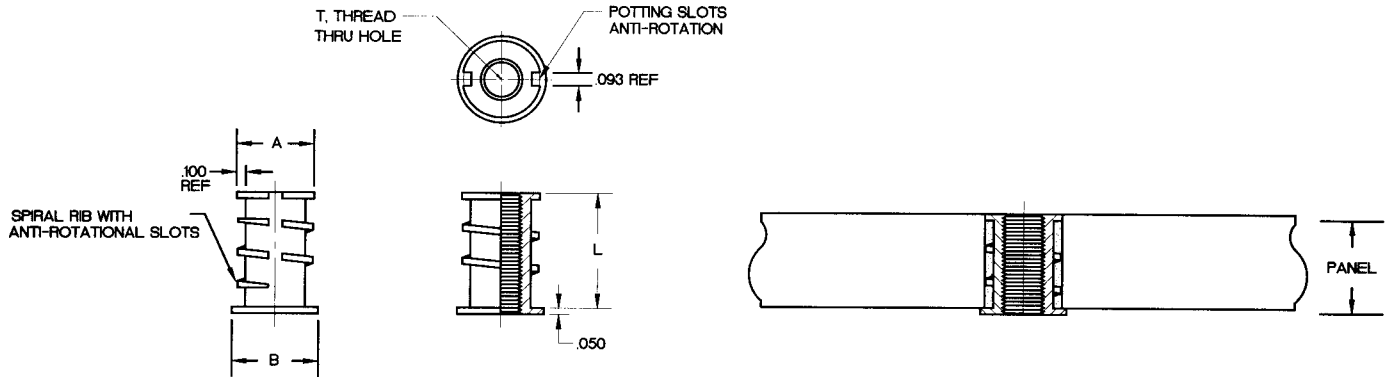


TABLE I

CODE NO.	T THREAD	A DIA ±.010	B DIA	L LENGTH +.010 -.000	INSTALL HOLE +.010 -.000	MATERIAL	FINISH
-1	.375-16 UNC-3B	.708	.830	.500	.718	303 STAINLESS	NONE
-2	.250-20 UNC-3B	.600	.722	.500	.609	303 STAINLESS	NONE
-3	.375-16 UNC-3B	.708	.830	.500	.718	12L14 CARBON STL	CAD-PLATE
-4	.250-20 UNC-3B	.600	.722	.750	.609	303 STAINLESS	NONE
-5	.250-20 UNC-3B	.600	.722	1.000	.609	303 STAINLESS	NONE
-6	.250-28 UNF-3B	.600	.722	.750	.609	303 STAINLESS	NONE
-7	.250-20 UNC-3B	.600	.722	1.500	.609	303 STAINLESS	NONE
-8	.375-16 UNC-3B	.708	.830	1.000	.718	303 STAINLESS	NONE
-9	M8x1.25mm	.660	.780	.500	.671	303 STAINLESS	NONE
-10							
-11	.250-20 UNC-3B	.600	.722	1.250	.609	303 STAINLESS	PASSIVATE
-12	.437-14 UNC-3B	.771	.895	1.250	.781	303 STAINLESS	PASSIVATE
-13	.375-16 UNC-3B	.708	.830	1.250	.718	303 STAINLESS	PASSIVATE
-14	.500-13 UNC-3B	.833	.955	1.250	.843	303 STAINLESS	PASSIVATE

NOTE: 1. BOTTOM SIDE OF INSTALLATION HOLE COULD BE COUNTERBORED FOR FLUSH INSTALLATION IF DESIRED.

2. PATENT NO'S 4,941,785 & 5,082,405.