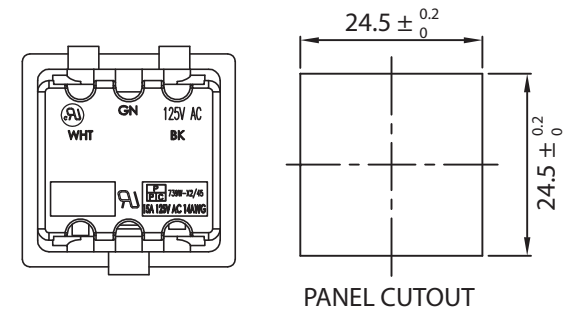
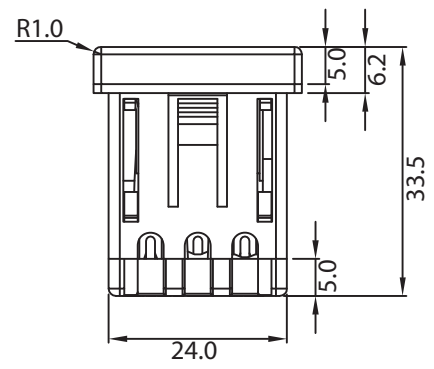
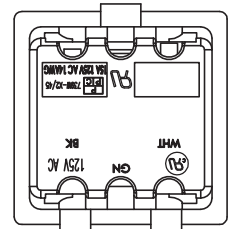
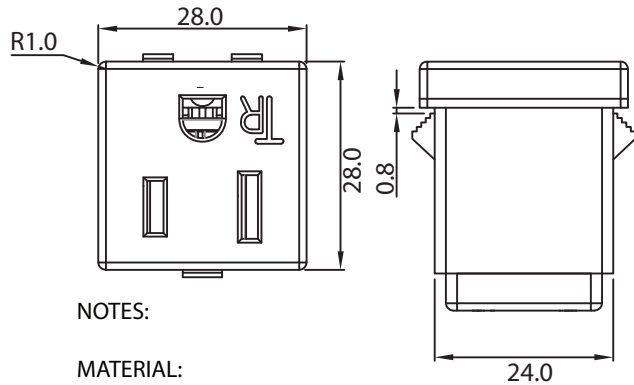
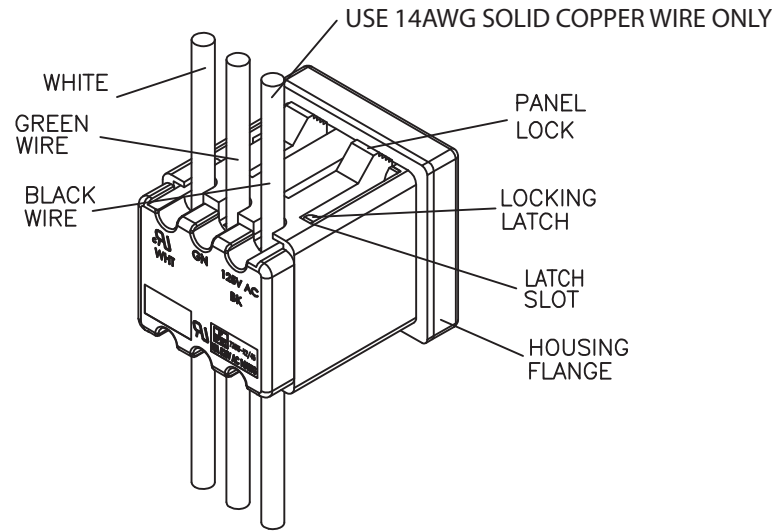


THESE DRAWINGS ARE THE PROPERTY OF QUALTEK ELECTRONICS AND NOT TO BE REPRODUCED FOR OR COMMUNICATED TO A THIRD PARTY WITHOUT THE EXPRESS WRITTEN PERMISSION OF AN OFFICER OF QUALTEK ELECTRONICS.

REVISION			
REV.	DESCRIPTION	DATE	APPROVED



NOTES:

MATERIAL:

- TOP COVER: PC WHITE COLOR
- BODY: NYLON 66 WHITE COLOR
- SPRING: SWC
- SHUTTER: POM WHITE COLOR
- BACK COVER: PC BLACK COLOR
- GN TERMINAL: BRASS t=0.4mm
- BK TERMINAL: BRASS t=0.4mm
- WHT TERMINAL: BRASS t=0.4mm NI-PLATED
- USE 14AWG SOLID COPPER WIRE ONLY
- PRODUCT SHIPPED UNASSEMBLED
- RATING: 15A 125V AC
- APPROVALS: UL, cUL
- PANEL THICKNESS: 0.8~2.0mm
- TAMPER RESISTANT
- RoHS COMPLIANT

**CONTROLLED**

Dim range (mm)	Tolerance +/- (mm)	Qualtek Electronics Corp. PPC DIVISION		
		Part Number: 739W-X2/45-WH1 <span style="border: 1px solid green; padding: 2px;">RoHS Compliant</span>		Description: TAMPER RESISTANT AC RECEPTACLE
0-1	0.20	RFQ# 5810	UNIT: mm	
1-6	0.25			
6-18	0.40	Drawn / Date	Checked / Date	Approved / Date
18-50	0.50			
50-120	0.70	R. Nuti 09-07-16	09-07-16	LY / 09-07-16
120-250	0.90			
250-500	1.20			