

**PLEASE CHECK WWW.MOLEX.COM FOR LATEST PART INFORMATION**

**Part Number:** [0353030650](#)  
**Status:** **Active**  
**Description:** 2.00mm (.079") Pitch Wire-to-Board Header, Vertical, Blade Pin, Shrouded, 6 Circuits

**Documents:**

[3D Model](#) [Product Specification PS-35303-001 \(PDF\)](#)  
[Drawing \(PDF\)](#) [RoHS Certificate of Compliance \(PDF\)](#)

**Agency Certification**

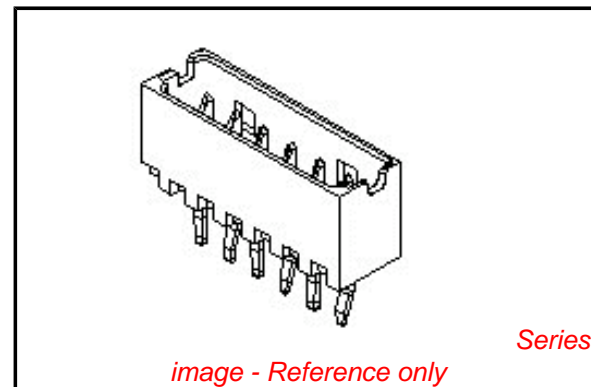
CSA LR 19980  
 UL E29179

**General**

Product Family PCB Headers  
 Series [35303](#)  
 Application Wire-to-Board  
 Product Name N/A

**Physical**

Breakaway No  
 Circuits (Loaded) 6  
 Circuits (maximum) 6  
 Color - Resin Natural  
 Durability (mating cycles max) 30  
 First Mate / Last Break No  
 Flammability 94V-0  
 Glow-Wire Compliant No  
 Guide to Mating Part No  
 Keying to Mating Part None  
 Lock to Mating Part Yes  
 Material - Metal Phosphor Bronze  
 Material - Plating Mating Tin  
 Material - Plating Termination Tin  
 Material - Resin Nylon  
 Number of Rows 1  
 Orientation Vertical  
 PC Tail Length (in) 0.138 In  
 PC Tail Length (mm) 3.50 mm  
 PCB Locator No  
 PCB Retention Yes  
 PCB Thickness Recommended (in) 0.062 In  
 PCB Thickness Recommended (mm) 1.60 mm  
 Packaging Type Tube  
 Pitch - Mating Interface (in) 0.079 In  
 Pitch - Mating Interface (mm) 2.00 mm  
 Plating min: Mating (µin) 32  
 Plating min: Mating (µm) 0.80  
 Plating min: Termination (µin) 32  
 Plating min: Termination (µm) 0.80  
 Polarized to PCB No  
 Shrouded Partial  
 Stackable No  
 Surface Mount Compatible (SMC) No  
 Temperature Range - Operating -20°C to +85°C  
 Termination Interface: Style Through Hole



**EU RoHS**

**ELV and RoHS  
 Compliant**  
**REACH SVHC**  
 Not Reviewed  
**Halogen-Free  
 Status**

**China RoHS**



**Need more information on product  
 environmental compliance?**

Email [productcompliance@molex.com](mailto:productcompliance@molex.com)  
 For a multiple part number RoHS Certificate of  
 Compliance, [click here](#)

Please visit the [Contact Us](#) section for any  
 non-product compliance questions.

**Search Parts in this Series**

[35303Series](#)

**Mates With**

[51004 Wire-to-Board Housing](#)

**Electrical**

Current - Maximum per Contact

2A

Voltage - Maximum

125V

**Material Info****Reference - Drawing Numbers**

Product Specification

PS-35303-001

Sales Drawing

SD-35303-001, SD-35303-010

This document was generated on 04/15/2010

**PLEASE CHECK [WWW.MOLEX.COM](http://WWW.MOLEX.COM) FOR LATEST PART INFORMATION**

DWG. NO. SD-35303-001

SIMILAR ITEM

PROJECT NO.

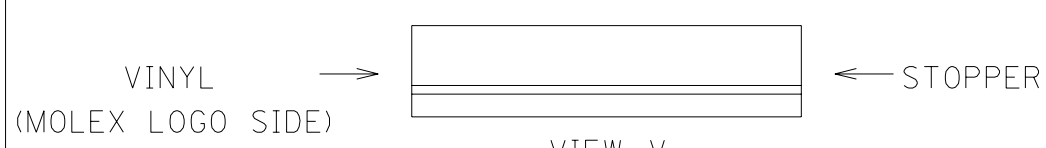
5

4

3

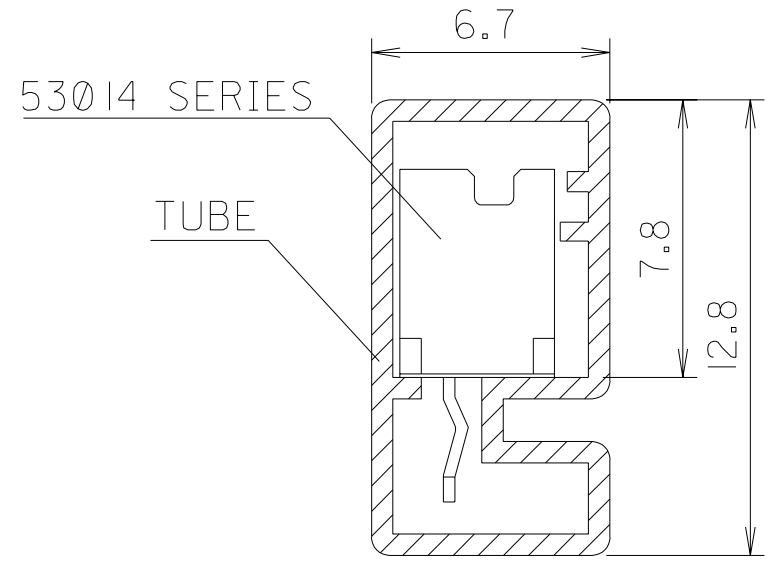
2

1



NOTES  
 1. TUBE : STOPPER & VINYL LOCKING TYPE  
 2. THICKNESS : 0.6+  
 3. LENGTH : 550mm

LEGEND 35303-\*\*\* 5 \*  
 COLOR : 0 --- NATURAL  
 1 --- BLACK  
 2 --- RED  
 3 --- YELLOW  
 4 --- BLUE  
 CKT (02, 03, 04, ...)



15	35303155*	35303-155*	8	35303085*	35303-085*	53014 SERIES	
14	35303145*	-145*	7	35303075*	-075*		
13	35303135*	-135*	6	35303065*	-065*		
12	35303125*	-125*	5	35303055*	-055*		
11	35303115*	-115*	4	35303045*	-045*		
10	35303105*	-105*	3	35303035*	-035*		
9	35303095*	35303-095*	2	35303025*	35303-025*		
CKTS	MAT'L NO.	ENG NO.	CKTS	MAT'L NO.	ENG NO.		USED ON

NEW RELEASED  
 EC NO. KOR2004-0124  
 DRWN: K.S.KIM (040324)  
 CH'K: J.K.OH  
 APPR: C.W.LEE

QUALITY SYMBOLS  
 MAJOR =  
 CRITICAL =

GENERAL TOLERANCES: (UNLESS SPECIFIED)

	mm	INCH
4 PLACES	±0.	±.
3 PLACES	±0.	±.
2 PLACES	±0.	±.
1 PLACE	±0.	±.

ANGULAR: ± °

DRAFT WHERE APPLICABLE MUST REMAIN WITHIN DIMENSIONS

SCALE NONE  
 DESIGN UNITS  mm  INCH  
 THIRD ANGLE PROJECTION  FIRST ANGLE PROJECTION  
 DRAWN BY & DATE H.S.SHIN (910220)  
 CHECKED BY & DATE J.K.OH  
 APPROVED BY & DATE C.W.LEE  
 CAD FILENAME SD-35303-001

DIMENSIONS:  mm  INCH  mm ONLY  
 SHT REV  
 REVISE ON CAD ONLY  
 TITLE: TUBE PACKAGED FOR 53014 SERIES  
 MOLEX INCORPORATED KOREA  
 MATERIAL NO. SEE TABLE  
 DRAWING NO. SD-35303-001  
 SHEET NO. 1 OF 1  
 THIS DRAWING CONTAINS INFORMATION THAT IS PROPRIETARY TO MOLEX INCORPORATED AND SHOULD NOT BE USED WITHOUT WRITTEN PERMISSION.  
 SIZE A

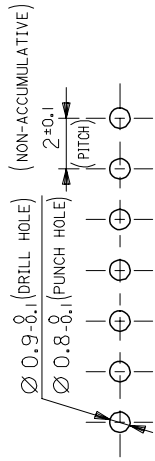
5

4

3

2

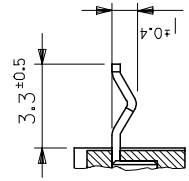
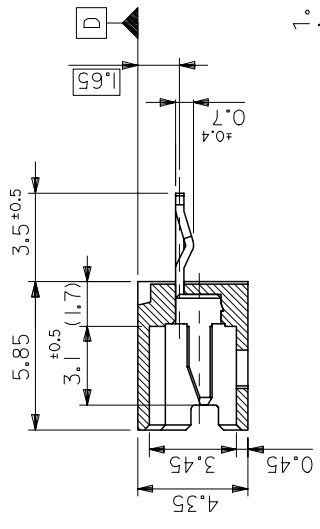
MX-A4



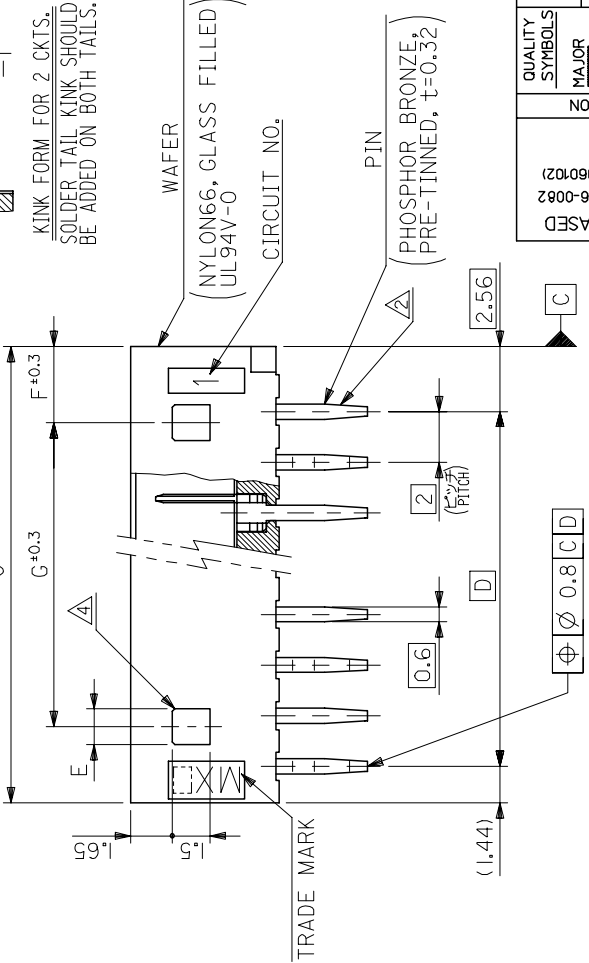
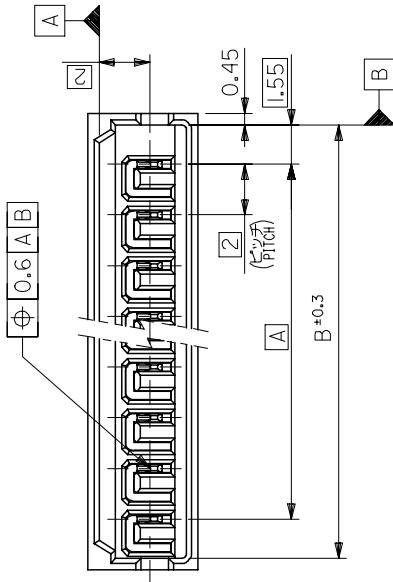
RECOMMENDED P.C. BOARD  
HOLE DIMENSION(REFERENCE) t=1.6

**NOTES**

- MATES WITH : 51004-\*\*\*00
- KINK TO BE ADDED ON THE ODD NUMBER SOLDER TAILS.(FROM THE TRADE MARK SIDE.)
- \* MARK INDICATES DYED COLOR :  
"0" NATURAL, "1" BLACK, "2" RED, "3" YELLOW, "4" BLUE
- LOCKING HOLE : 1 PLACE FOR 2, 3 CKTS. AND 2 PLACES FOR 4 CKTS. AND MORE THAN 4 CKTS.



KINK FORM FOR 2 CKTS.  
SOLDER TAIL KINK SHOULD BE ADDED ON BOTH TAILS.



PROJECT NO.	SCALE	DESIGN UNITS	THIRD ANGLE PROJECTION	APPLIED ITEM	ENG. NO.	ENG. NO.	NO. OF CKTS.
26	3	1.4	28	31.1	28	53014-15*	35303-155*
24	3	1.4	26	29.1	26	-14*	35303-145*
22	3	1.4	24	27.1	24	-13*	35303-135*
20	3	1.4	22	25.1	22	-12*	35303-125*
18	3	1.4	20	23.1	20	-11*	35303-115*
16	3	1.4	18	21.1	18	-10*	35303-105*
14	3	1.4	16	19.1	16	-09*	35303-095*
12	3	1.4	14	17.1	14	-08*	35303-085*
10	3	1.4	12	15.1	12	-07*	35303-075*
8	3	1.4	10	13.1	10	-06*	35303-065*
6	3	1.4	8	11.1	8	-05*	35303-055*
4	3	1.4	6	9.1	6	-04*	35303-045*
3	4	3.4	4	7.1	4	-03*	35303-035*
2	3	1.4	2	5.1	2	53014-02*	35303-025*
G	F	E	D	C	B	A	ENG. NO. $\Delta$

GENERAL TOLERANCES: (UNLESS SPECIFIED)	SCALE	DESIGN UNITS	THIRD ANGLE PROJECTION	APPLIED ITEM	ENG. NO.	ENG. NO.	NO. OF CKTS.
MITT	5:1	MITT	MITT	MITT	MITT	MITT	MITT
4 PLACES $\pm 0.$	INCH	DRAWN BY & DATE	THIRD ANGLE PROJECTION	APPLIED ITEM	ENG. NO.	ENG. NO.	NO. OF CKTS.
3 PLACES $\pm 0.$	$\pm$	K-SKIM (060102)	THIRD ANGLE PROJECTION	APPLIED ITEM	ENG. NO.	ENG. NO.	NO. OF CKTS.
2 PLACES $\pm 0.$	$\pm$	CHECKED BY & DATE	THIRD ANGLE PROJECTION	APPLIED ITEM	ENG. NO.	ENG. NO.	NO. OF CKTS.
1 PLACE $\pm 0.$	$\pm$	Y.500/KIM	THIRD ANGLE PROJECTION	APPLIED ITEM	ENG. NO.	ENG. NO.	NO. OF CKTS.
ANGULAR: $\pm$	$^{\circ}$	APPROVED BY & DATE	THIRD ANGLE PROJECTION	APPLIED ITEM	ENG. NO.	ENG. NO.	NO. OF CKTS.
DRAFT WHERE APPLICABLE MUST REMAIN WITHIN DIMENSIONS		S.H.CHOI	THIRD ANGLE PROJECTION	APPLIED ITEM	ENG. NO.	ENG. NO.	NO. OF CKTS.
CAD FILENAME		SD-35303-010	THIRD ANGLE PROJECTION	APPLIED ITEM	ENG. NO.	ENG. NO.	NO. OF CKTS.
SHEET NO.		1 OF 1	THIRD ANGLE PROJECTION	APPLIED ITEM	ENG. NO.	ENG. NO.	NO. OF CKTS.

DO NOT SCALE DRAWING  
DIMENSION IN METRIC

NEW RELEASED  
ECN NO. KOR2006-0082  
DRWN: K.S.KIM (060102)  
CHK: Y.500/KIM  
APP: S.H.CHOI

QUALITY SYMBOLS	DESCRIPTION	REV
MAJOR		
CRITICAL		

GENERAL TOLERANCES	ANGLE
30 OVER	$\pm 3^{\circ}$
10 OVER 30 UNDER	$\pm 0.3$
10 UNDER	$\pm 0.25$
	$\pm 0.2$

TITLE: 2.0 LOW PROFILE WAFER ASSY

MATERIAL NO. MOLEX INCORPORATED

DRAWING NO. SD-35303-010

KOREA

MX-A3