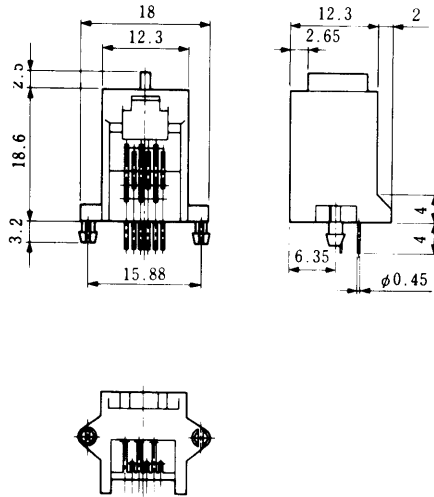
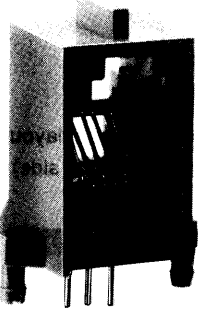


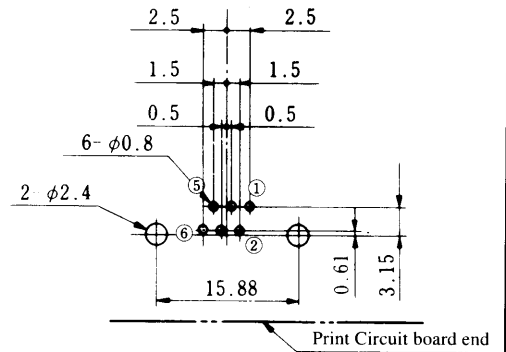
Right Angle Dip Type

● TM5RC-※※

HRS No.	Part No.
CL222-0270-9	TM5RC-44
CL222-0338-0	TM5RC-64
CL222-0337-8	TM5RC-66



PCB mounting hole layout
(Connector mounting side)

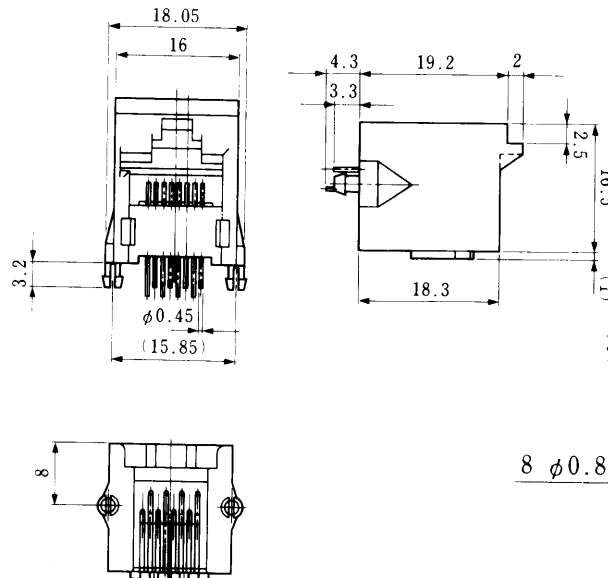
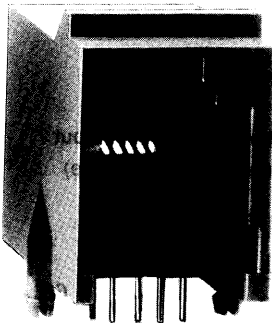


Note 1: Standard finish color is grey.

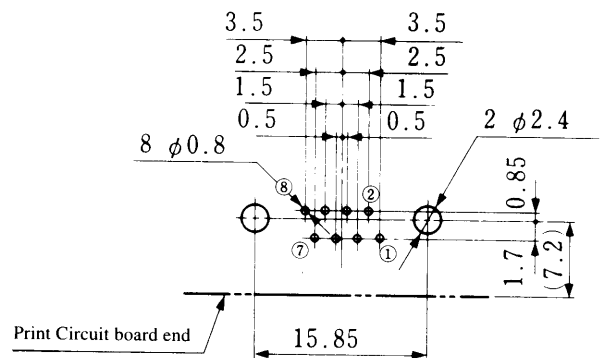
Note 2: The drawing is shown sample of TM5RC-66.

● TM5RC-88

CL222-0339-3



PCB mounting hole layout
(Connector mounting side)



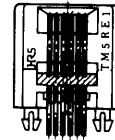
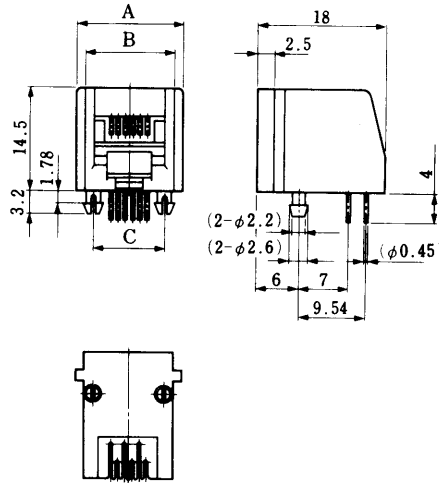
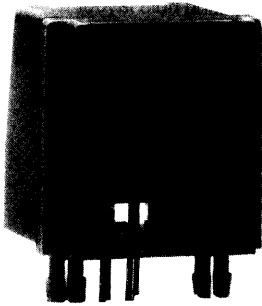
Note : Standard finish color is warm grey.

MODULAR CONNECTORS

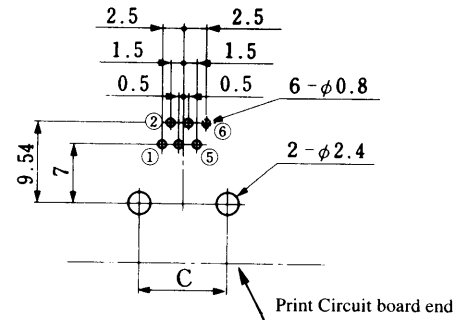
GL 222 TM

● TM5RE1- ※※

HRS No.	Part No.	A	B	C
CL222-0538-0-50	TM5RE1-44(50)	13	10.4	8
CL222-0539-2-50	TM5RE1-62(50)	15	12.4	10
CL222-0540-1-50	TM5RE1-64(50)	15	12.4	10
CL222-0541-4-50	TM5RE1-66(50)	15	12.4	10



PCB mounting hole layout
(Connector mounting side)

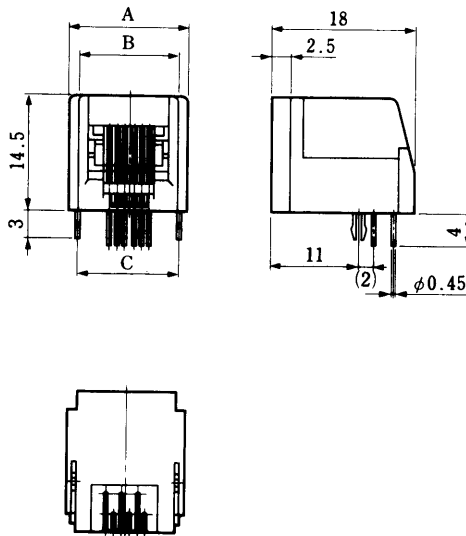
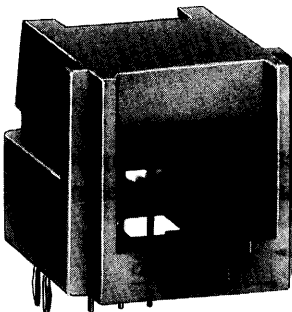


Note 1: Standard finish color is dark grey.

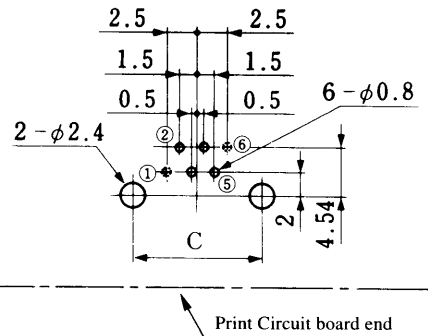
Note 2: The drawing is shown sample of TM5RE1-66.

● TM5RE2- ※※

HRS No.	Part No.	A	B	C
CL222-1222-1-50	TM5RE2-44(50)	13	10.4	10.8
CL222-1224-7-50	TM5RE2-62(50)	15	12.4	12.8
CL222-1223-4-50	TM5RE2-64(50)	15	12.4	12.8
CL222-1225-0-50	TM5RE2-66(50)	15	12.4	12.8



PCB mounting hole layout
(Connector mounting side)



Note 1: Standard finish color is dark grey.

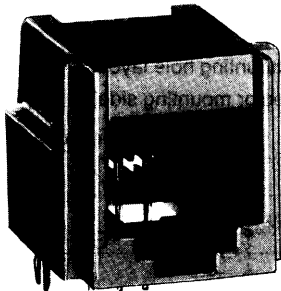
Note 3: The drawing is shown sample of TM5RE2-66.

MODULAR CONNECTORS

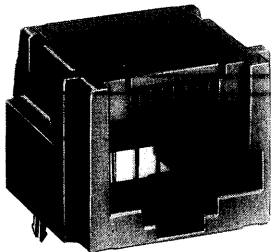
CL 222 TM

● TM5RE3- ※※

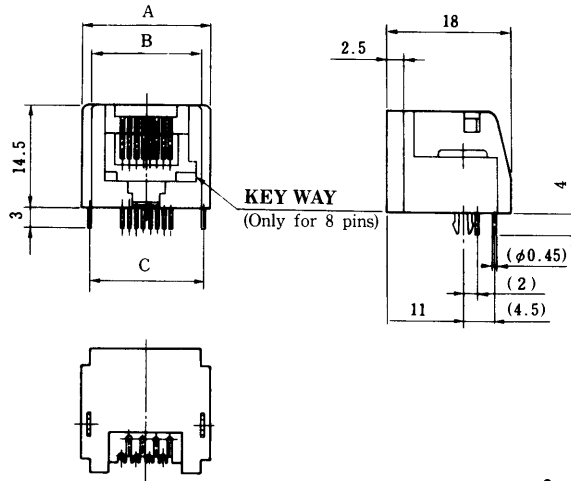
HRS No.	Part No.	A	B	C
CL222-1406-4-50	TM5RE3-44(50)	13	10.4	10.8
CL222-1407-7-50	TM5RE3-62(50)	15	12.4	12.8
CL222-1427-4-50	TM5RE3-64(50)	15	12.4	12.8
CL222-1428-7-50	TM5RE3-66(50)	15	12.4	12.8
CL222-1702-7-10	TM5RE3-88(10)	18.6	16	16.4



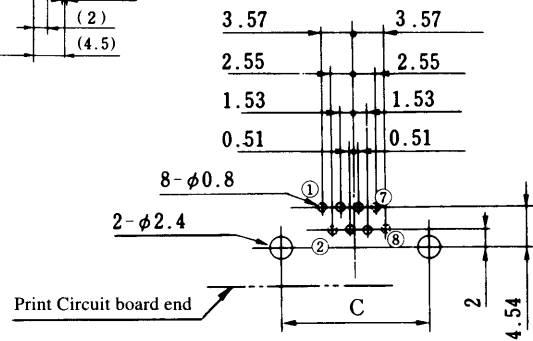
TM5RE3-66 (50)



TM5RE3-88 (10)



PCB mounting hole layout
(Connector mounting side)

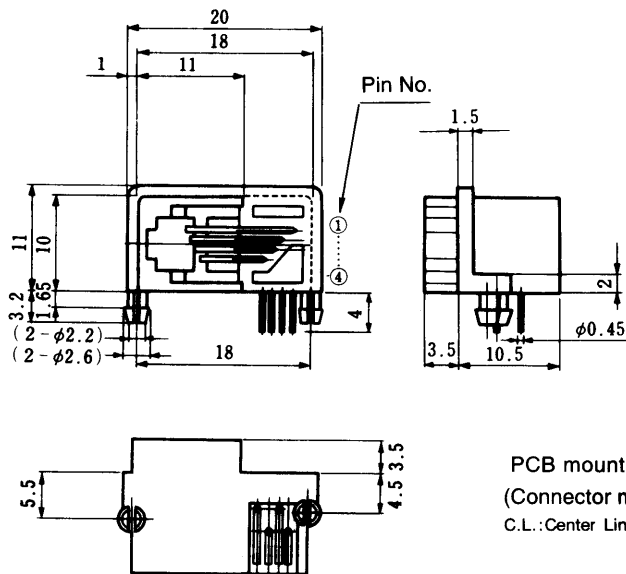
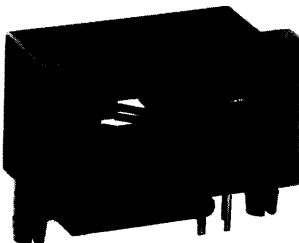


Note 1: Standard finish color is dark grey.

Note 2: The drawing is shown sample of TM5RE3-88.

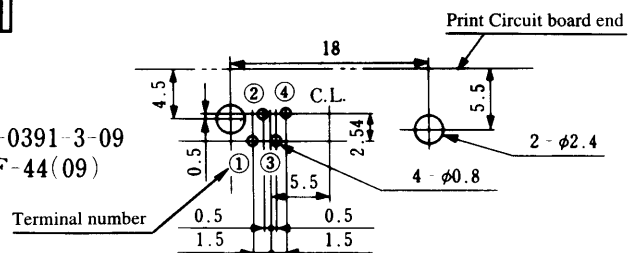
● TM5RF-44

CL222-0391-3



PCB mounting hole layout
(Connector mounting side)

C.L.:Center Line



CL222-0391-3-09
TM5RF-44(09)

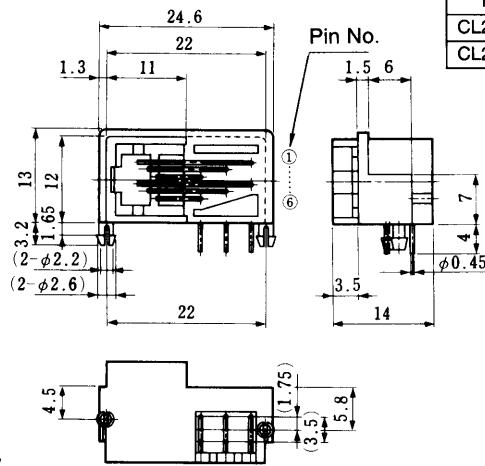
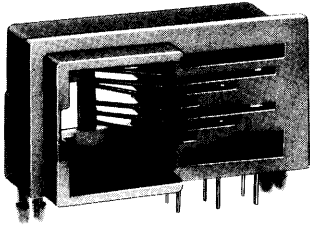
Note 1: Standard finish color is grey.

Note 2: Backboard size is shown the connector mounting side of PCB.

MODULAR CONNECTORS

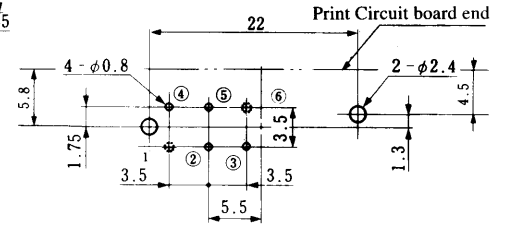
CL 222 TM

● TM5RF-6 ※



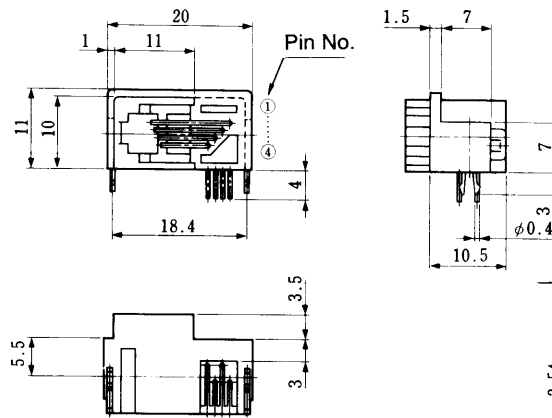
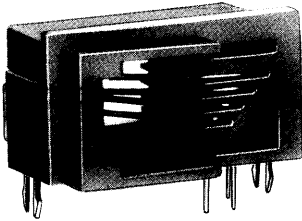
HRS No.	Part No.
CL222-1452-1	TM5RF-64
CL222-1411-4	TM5RF-66

PCB mounting hole layout
(Connector mounting side)

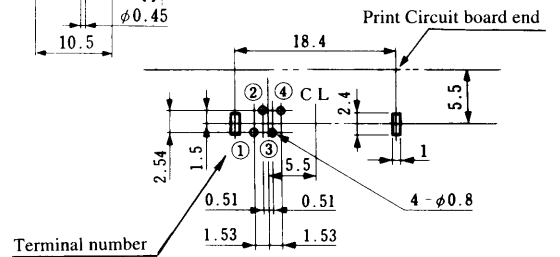


Note 1: Standard finish color is dark grey.
Note 2: The drawing is shown sample of TM5RF-66.

● TM5RF-1-44 CL222-1242-9

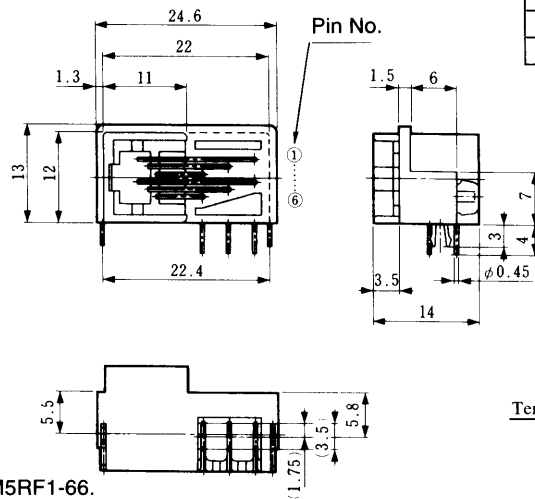
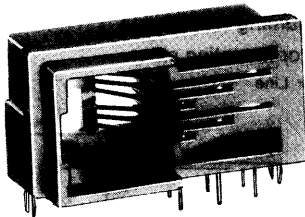


PCB mounting hole layout
(Connector mounting side)



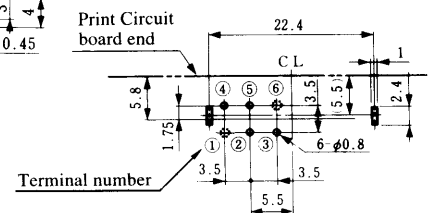
Note 1: Standard finish color is dark grey.

● TM5RF-1-6 ※



HRS No.	Part No.
CL222-1533-1	TM5RF1-64
CL222-1534-4	TM5RF1-66

PCB mounting hole layout
(Connector mounting side)



Note 1: Standard finish color is dark grey.
Note 2: The drawing is shown sample of TM5RF1-66.

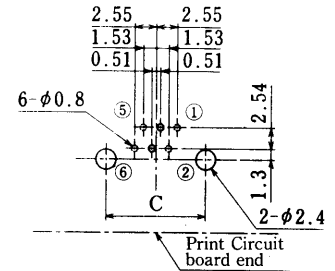
MODULAR CONNECTORS

CL 222 TM

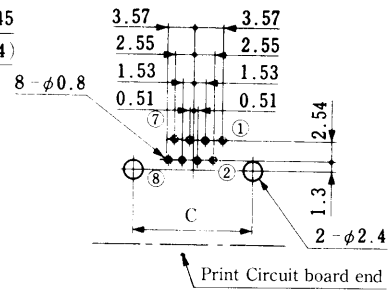
● TM5RJ2- ※※

HRS No.	Part No.	A	B	C
CL222-1459-0	TM5RJ2-44	12.8	10.2	10
CL222-1486-3	TM5RJ2-62	14.8	12.2	12
CL222-1460-0	TM5RJ2-64	14.8	12.2	12
CL222-1461-2	TM5RJ2-66	14.8	12.2	12
CL222-1462-5	TM5RJ2-88	18.6	16	15

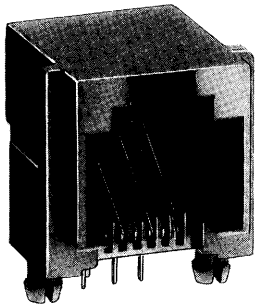
PCB mounting hole layout
(Connector mounting side)



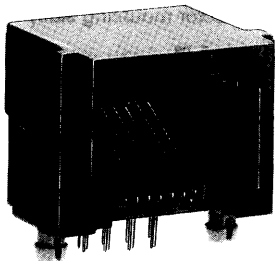
TM5RJ2-44, 6※



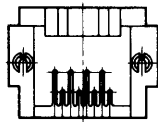
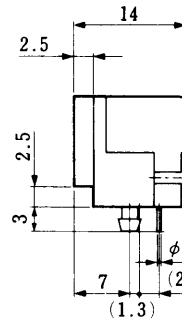
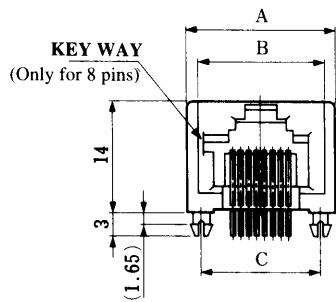
TM5RJ2-88



TM5RJ2-66



TM5RJ2-88



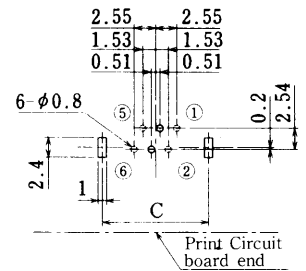
Note 1: Standard finish color is grey.

Note 2: The drawing is shown sample of TM5RJ2-88.

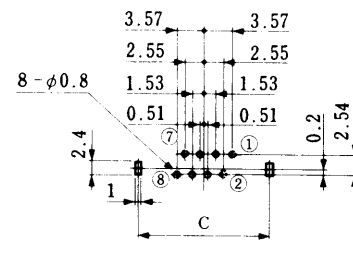
● TM5RJ3- ※※

HRS No.	Part No.	A	B	C
CL222-1363-3	TM5RJ3-44	12.8	10.2	10.76
CL222-1487-6	TM5RJ3-62	14.8	12.2	12.8
CL222-1463-8	TM5RJ3-64	14.8	12.2	12.8
CL222-1464-0	TM5RJ3-66	14.8	12.2	12.8
CL222-1465-3	TM5RJ3-88	18.6	16	16.6

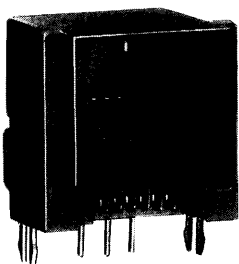
PCB mounting hole layout
(Connector mounting side)



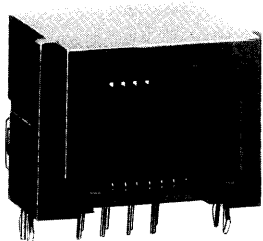
TM5RJ3-44, 6※



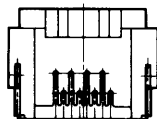
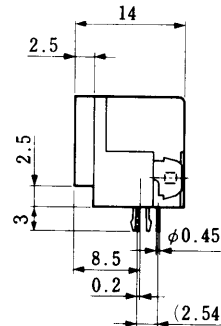
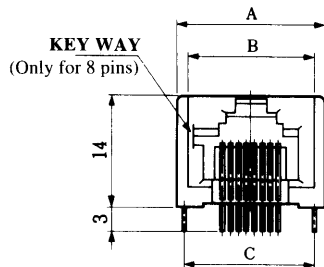
TM5RJ3-88



TM5RJ3-66



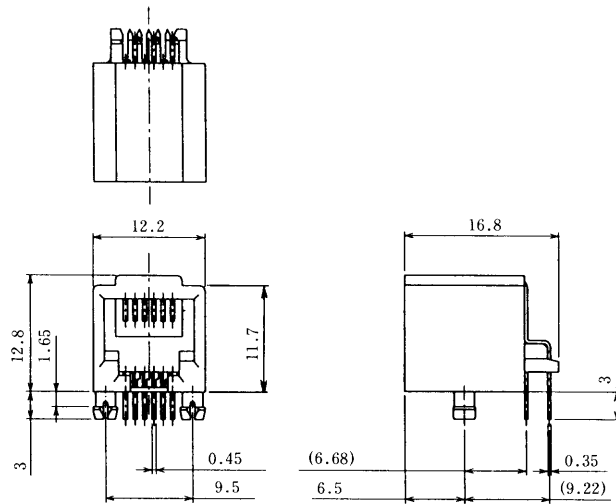
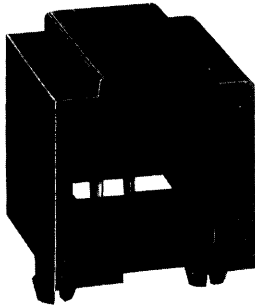
TM5RJ3-88



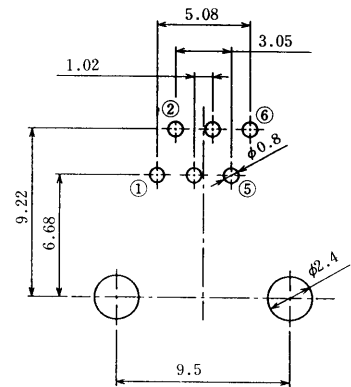
Note 1: Standard finish color is grey.

Note 2: The drawing is shown sample of TM5RJ3-88.

● TM5RU-6 ※



PCB mounting hole layout
(Connector mounting side)



HRS No.	Part No.
CL222-2639-8	TM5RU-62
CL222-2638-5	TM5RU-64
CL222-2630-3	TM5RU-66

Note 1: Standard finish color is black.

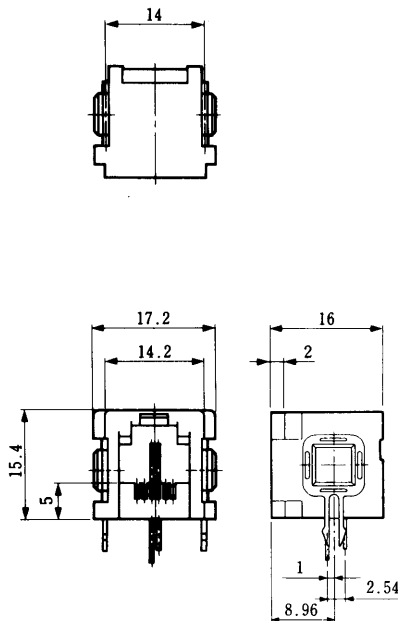
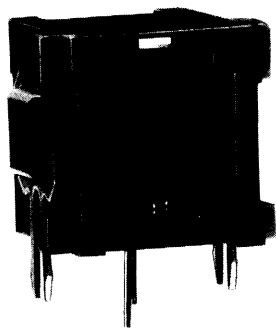
Note 2: The drawing is shown sample of TM5RU-66.

MODULAR CONNECTORS

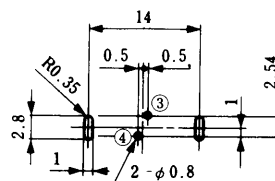
CL 222 TM

Gang-Jacks Right Angle Dip Type

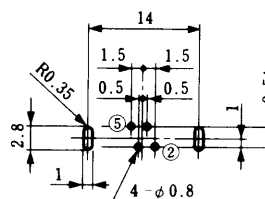
● TM2REA-06 ※※



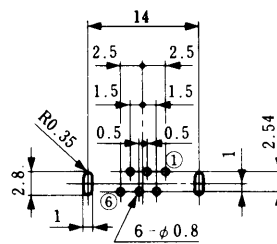
PCB mounting hole layout
(Connector mounting side)



CL222-1277-3
TM2REA-0602



CL222-1466-6
TM2REA-0604

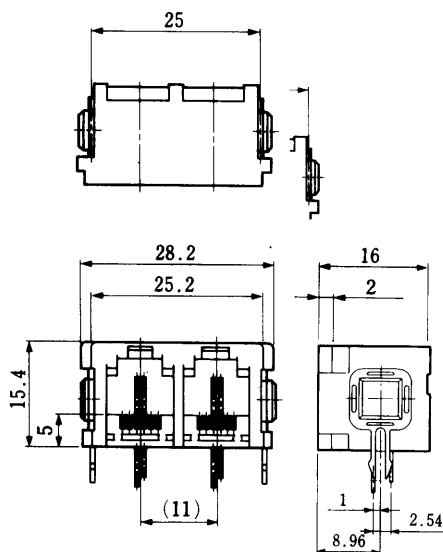
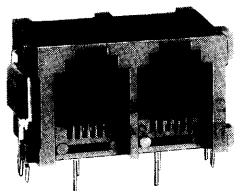


CL222-1467-9
TM2REA-0606

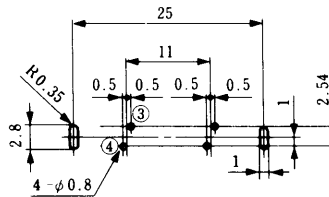
Note 1: Standard finish color is grey.

Note 2: The drawing is shown sample of TM2REA-0602.

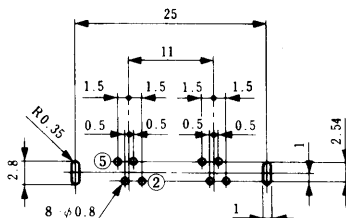
● TM2REA-12 ※※



PCB mounting hole layout
(Connector mounting side)

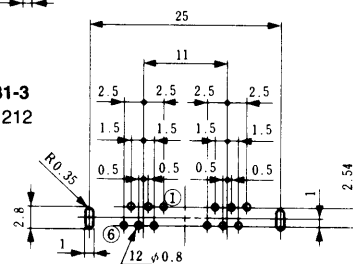


CL222-0802-6
TM2REA-1204



CL222-0799-3
TM2REA-1208

CL222-0681-3
TM2REA-1212



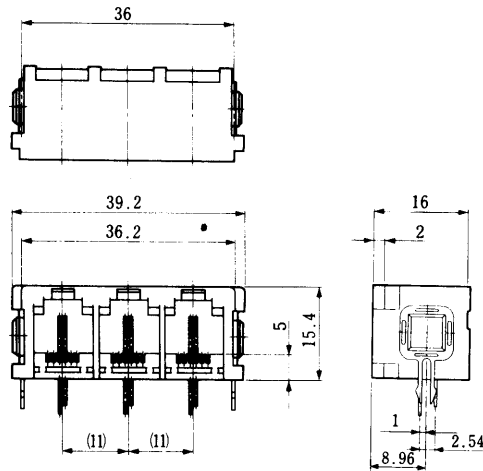
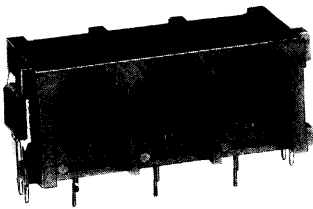
Note 1: Standard finish color is grey.

Note 2: The drawing is shown sample of TM2REA-1204.

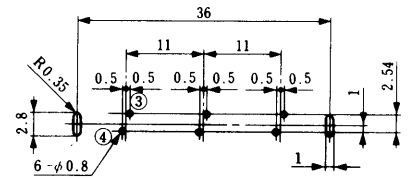
MODULAR CONNECTORS

CL 222 TM

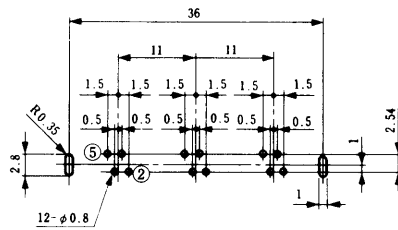
● TM2REA-18 ※※



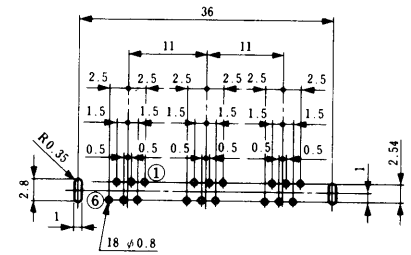
PCB mounting hole layout
(Connector mounting side)



CL222-0801-3
TM2REA-1806



CL222-0798-0
TM2REA-1812

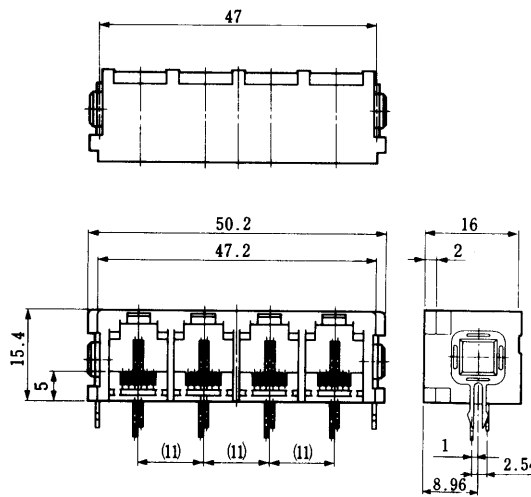
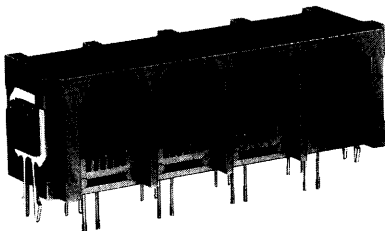


CL222-0737-6
TM2REA-1818

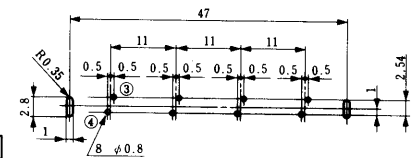
Note 1: Standard finish color is grey.

Note 2: The drawing is shown sample of TM2REA-1806.

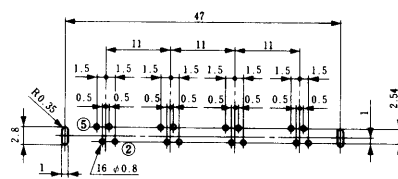
● TM2REA-24 ※※



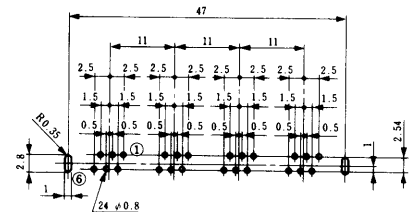
PCB mounting hole layout
(Connector mounting side)



CL222-0800-0
TM2REA-2408



CL222-0749-5
TM2REA-2416



CL222-0750-4
TM2REA-2424

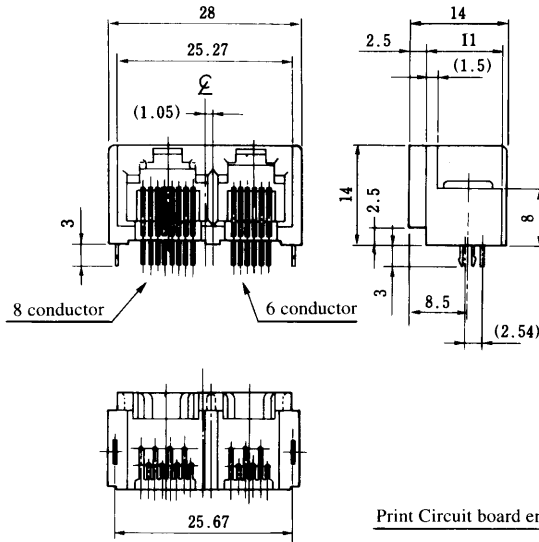
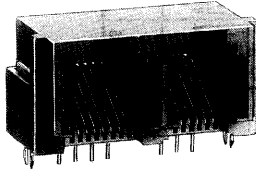
Note 1: Standard finish color is grey.

Note 2: The drawing is shown sample of TM2REA-2416.

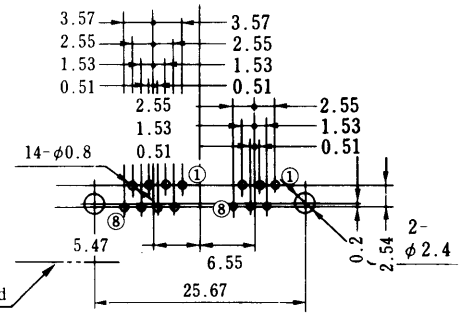
MODULAR CONNECTORS

CL 222 TM

● **TM5RQ-1414**
CL222-1504-3

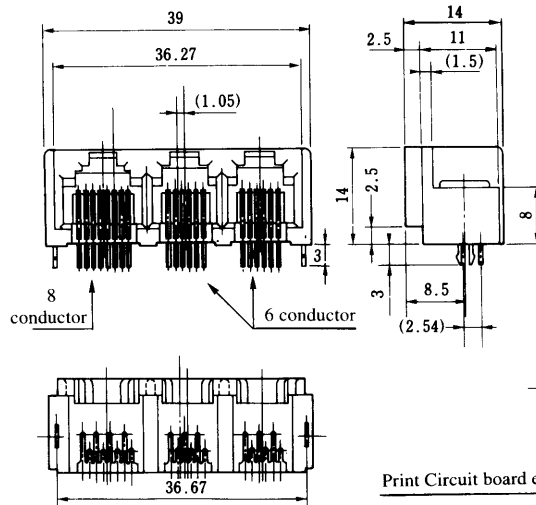
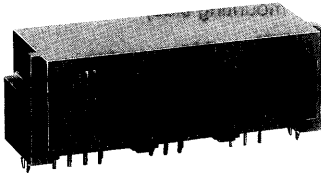


PCB mounting hole layout
(Connector mounting side)

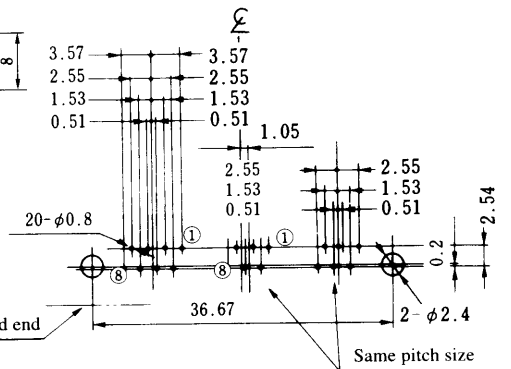


Note: Standard finish color is grey.

● **TM5RQ-2020**
CL222-1645-5

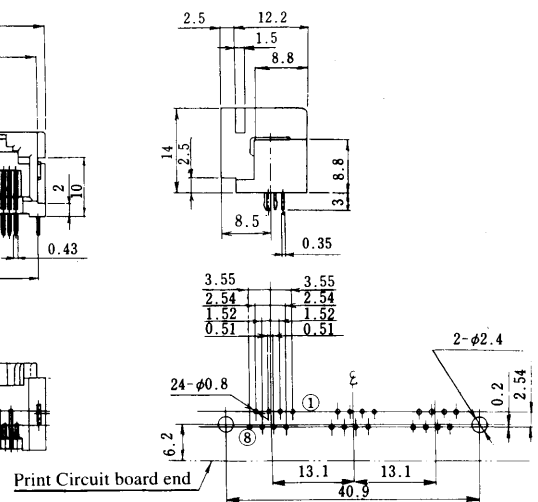
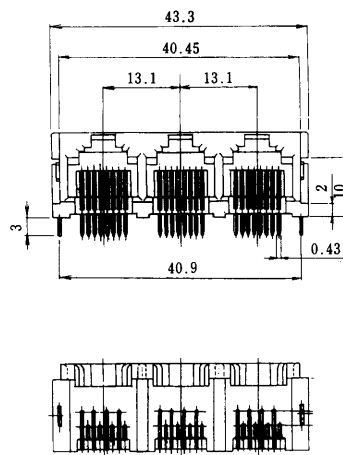
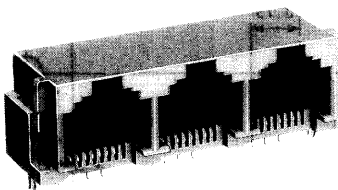


PCB mounting hole layout
(Connector mounting side)



Note: Standard finish color is grey.

● **TM5RSA-2424**
CL222-3264-2



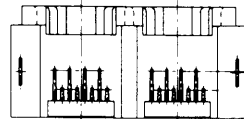
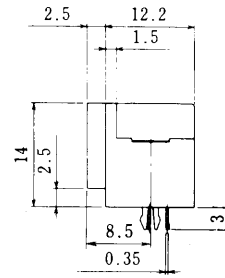
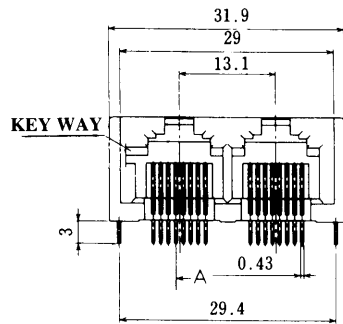
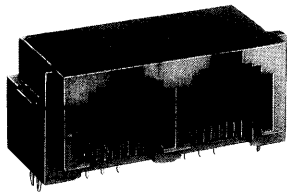
PCB mounting hole layout (Connector mounting side)

Note: Standard finish color is grey.

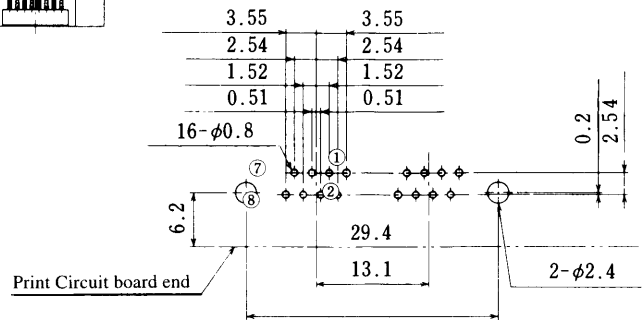
MODULAR CONNECTORS

CL 222 TM

● TM5RSB-1616
CL222-3712-1

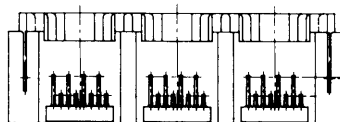
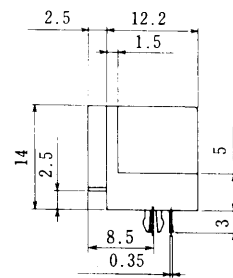
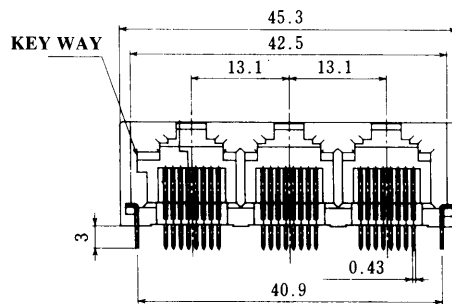
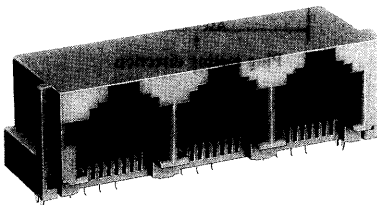


PCB mounting hole layout
(Connector mounting side)

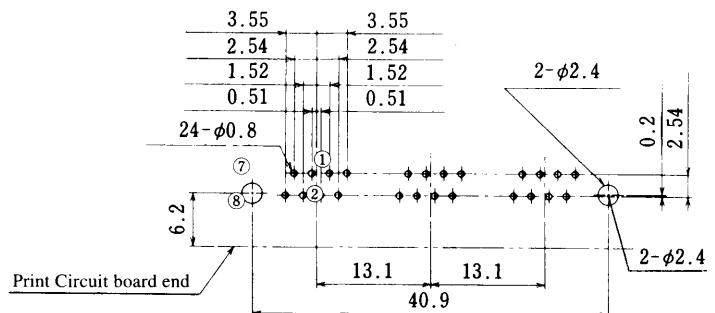


Note: Standard finish color is grey.

● TM5RSB-2424
CL222-3423-4



PCB mounting hole layout
(Connector mounting side)



Note: Standard finish color is grey.

EIGHT-CONDUCTOR LOW PROFILE JACKS

● GENERAL

The TM5RL Series are small 8-contact modular connectors designed to be 11.7 mm in height and 23% smaller in volume than our former models to meet the demand for smaller and thinner electronic equipment.

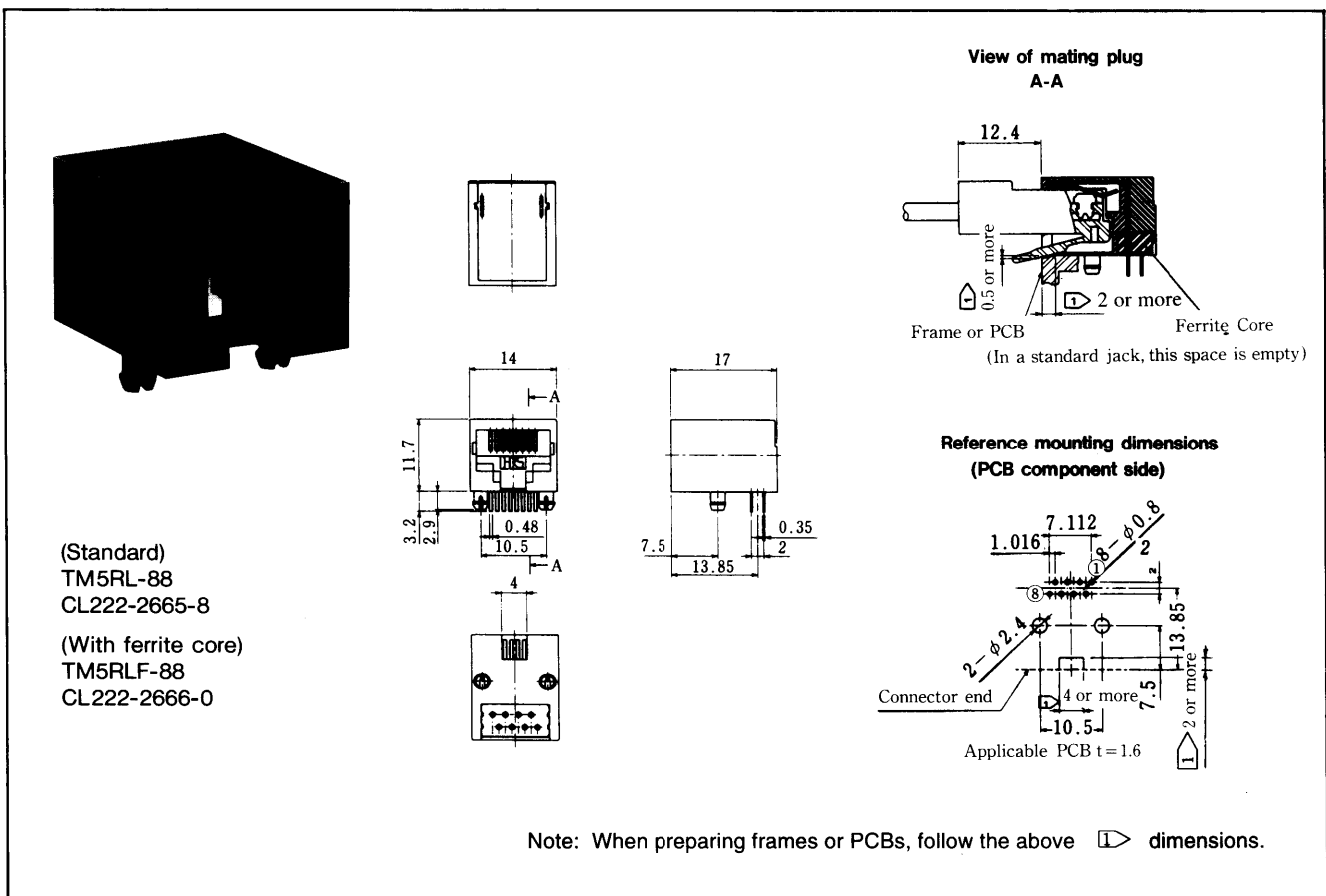
● FEATURES

- (1) 11.7 mm in height above PCB surface (shielded jacks: 11.9 mm)
- (2) 23% smaller in volume than our former models
- (3) Space-saving: 14 mm (14.6 mm) in width and 17 mm (7.6 mm) in depth. (): shielded jacks
- (4) EMI-protected ferrite and shielded jacks available.
- (5) Ferrite and shielded jacks use the same connector body as standard jacks, requiring no change in the PCB for redesigning.
(When you plan to redesign a standard PCB to a shielded PCB, select the shielding pattern in advance).
- (6) A quadruple jack is equal to or smaller in size than four TM5RL-88 jacks combined.
- (7) Plugs and jack connectors comply with the ISO 8877 Standard (ISDN interface connector).

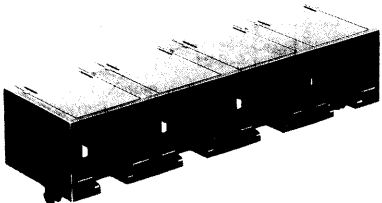
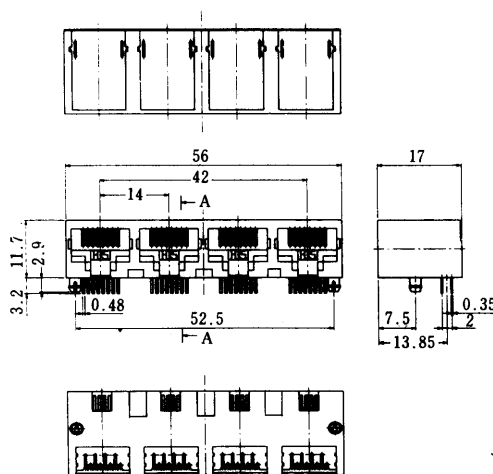
● APPLICATIONS

LAN boards, HUB, ISDN terminals, and personal computers.

● RIGHT-ANGLE DIP TYPE



Quadruplet right-angle dip

**View of mating plug
A-A**

12.4
0.5 or more
2 or more
Ferrite core
Frame or PCB
(In a standard jack this space is empty.)

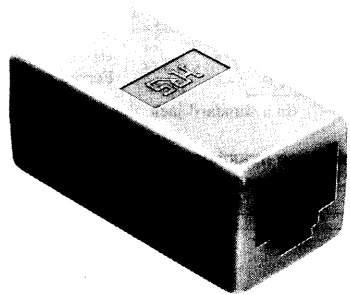
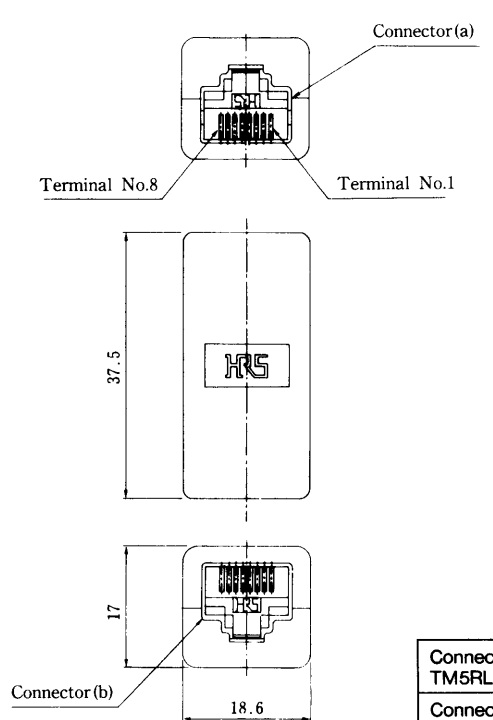
**Mounting dimensions for reference
(PCB mounting side)**

42
14
7.112
1.016
32- ϕ 0.8
2
13.85
4 or more
52.5
7.5
Applicable PCBt = 1.6

(Standard)
TM5RL-3232
CL222-2671-0
(With ferrite core)
TM5RLF-3232
CL222-2711-3

Note: When preparing frames or PCBs, provide the above \square for the connector.

Eight-conductor extension adapter

Connector (a)
Terminal No.8
Terminal No.1

37.5
HRS

17
Connector (b)
18.6

Terminal numbers

Connector(a) terminal No. TM5RL-88	1	2	3	4	5	6	7	8
Connector(b) terminal No. TM5RL-88	1	2	3	4	5	6	7	8

(Standard)
TM5RL-88-JJ
CL222-3798-7
(With ferrite core)
TM5RLF-88-JJ
CL222-3805-0