

6

5

4

3

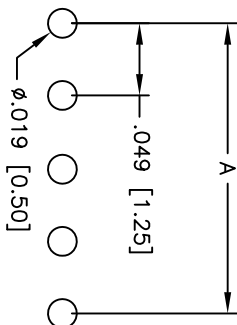
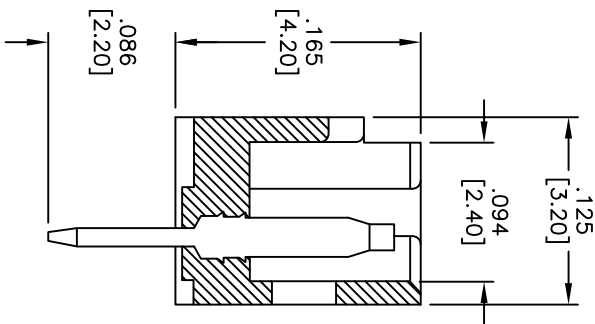
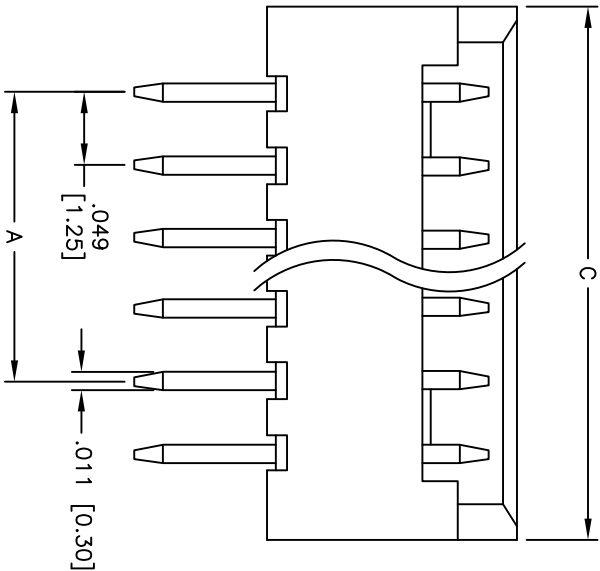
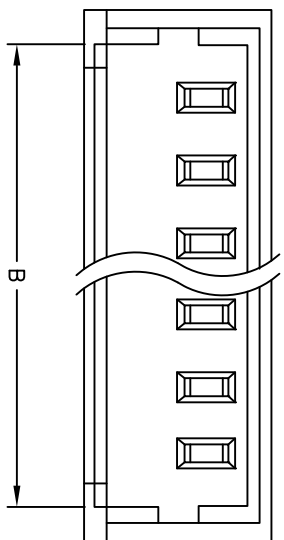
2

1

APPROVED: _____

DATE: _____ TITLE: _____

Rev	AWO #	Description	Date	Appr
-		RELEASED	01/17/07	
A		REVISED COLOR	6/21/10	



SPECIFICATIONS:

Material: Nylon 46, rated UL 94V-0
 Insulator color: Natural
 Contacts: Brass

Plating:

Tin over Nickel underplate overall

Electrical:

Operating voltage: 250 VAC max
 Current rating: 1 Amps max
 Contact resistance: 20 mohms max
 Insulation resistance: 100 Mohms min
 Dielectric withstanding voltage: 250 VAC for 1 minute

Temperature Rating:

Operating temperature: -40°C to +85°C

Environmental:

Lead free, RoHS compliant.

Recommended soldering temp: 260° for 5 sec.



A=.049 [1.25] X NO. OF SPACES
 B=.049 [1.25] X NO. OF SPACES X+.070 [1.80]
 C=.049 [1.25] X NO. OF SPACES X+.118 [3.00]

ADAM TECH

909 Rahway Avenue, Union, NJ 07083
 Phone: 908-687-5000 Fax: 908-687-5710

TITLE: MX 1.25mm WAFER DIP 180°

UNLESS OTHERWISE SPECIFIED ALL DIMENSIONS ARE INCHES [MM]		TOLERANCES: EXCEPT AS NOTED	
.X	± .10	ØX	± .10
.XX	± .020	ØXXX	± .015
.XXX	± .015	ØXXXX	± .010
APPROVALS		DATE	
DRAWN	BW	01/17/07	
CHECKED			
APPROVED			
SIZE	PART NO.	SCALE	REV.
X	125SH-B-XX-TS	NTS	A
REF:		SHEET	1 OF 1

6

5

4

3

2

1