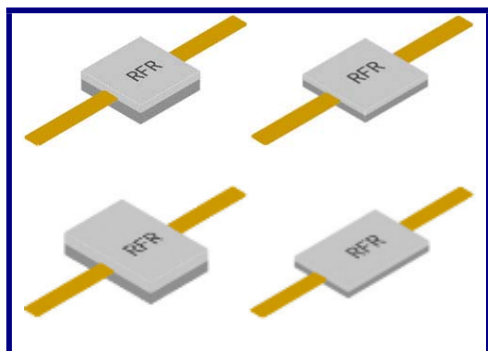


## Attenuators

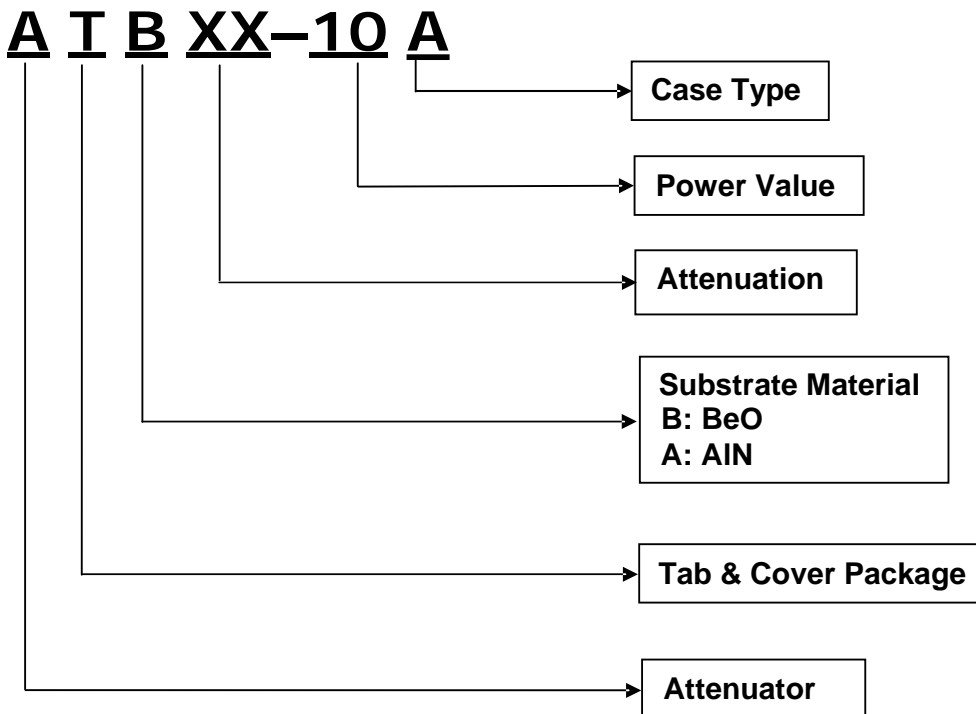
### Tab & Cover



- ◆ Resistance: 50Ω
- ◆ Power: 5-100W
- ◆ Substrate Material: BeO, AlN
- ◆ Attenuation\*: 1-30dB
- ◆ Attenuation Accuracy: 1-10dB ±0.6dB  
11-20dB ±0.8dB  
21-30dB ±1.0dB
- ◆ Frequency Range\*: DC-4GHz
- ◆ Operation Temperature: -55 ~ +150°C
- ◆ RoHS Compliant
- ◆ \*Custom Designs Available

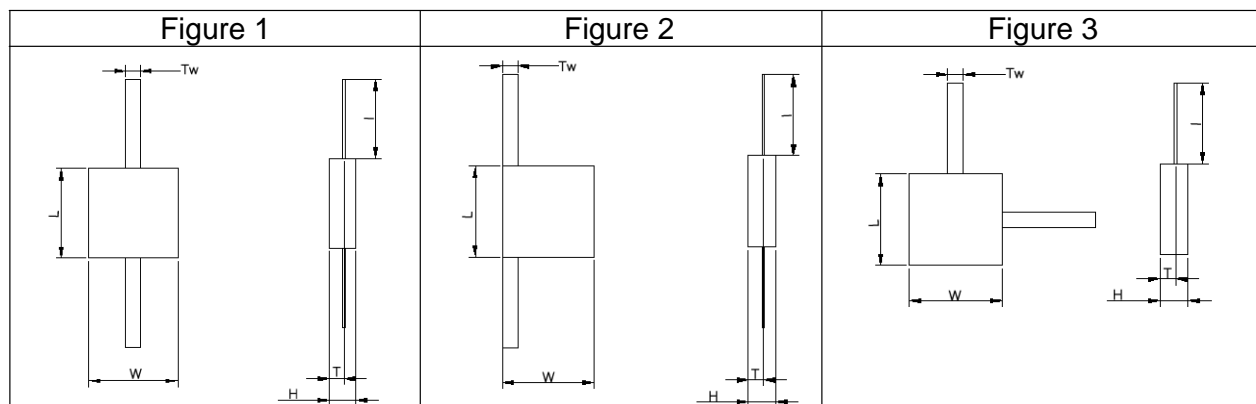
## Attenuator – Tab & Cover (ATB series)

### Explanation to P/N



## Attenuators

### Tab & Cover



P/N	Power (W)	Frequency (GHz)	VSWR max	Size(mm)					
				W	L	T	H	I	Tw
ATBXX-5A	5	DC-4	1.2	2.5	5	1	2.2	4	1
ATBXX-10A	10	DC-3	1.2	2.5	5	1	2.2	4	1
ATBXX-20A	20	DC-4	1.2	4	4	1	2.2	4	1
ATBXX-20B	20	DC-4	1.2	4	4	1	2.2	4	1
ATBXX-20AA	20	DC-4	1.2	6	6	1	2.2	4	1
ATBXX-20AB	20	DC-4	1.2	6	6	1	2.2	4	1
ATBXX-30A	30	DC-3	1.2	6	6	1	2.2	4	1
ATBXX-30B	30	DC-4	1.2	6	6	1	2.2	4	1
ATBXX-40A	40	DC-4	1.2	9	6	1	2.2	4	1
ATBXX-60A	60	DC-3	1.2	10	10	1	2.2	6	1
ATBXX-60B	60	DC-3	1.2	10	10	1	2.2	6	1
ATBXX-60AB	60	DC-3	1.2	9	6	1	2.2	4	1
ATBXX-80A	80	DC-2	1.3	10	10	1	2.2	6	1
ATBXX-80B	80	DC-2	1.3	10	10	1	2.2	6	1
ATBXX-80AB	80	DC-3	1.25	9	6	1	2.2	4	1
ATBXX-100A	100	DC-3	1.3	9	6	1	2.2	6	1
ATBXX-100B	100	DC-3	1.35	6	9	1	2.2	6	1
ATBXX-100AB	100	DC-3	1.3	9.5	6.35	1	2.2	6	1