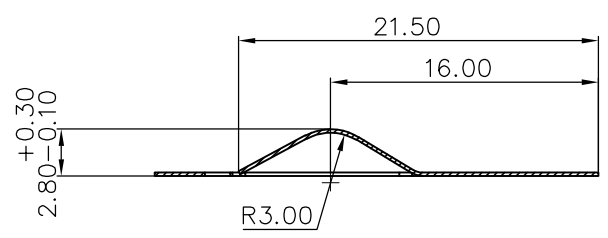
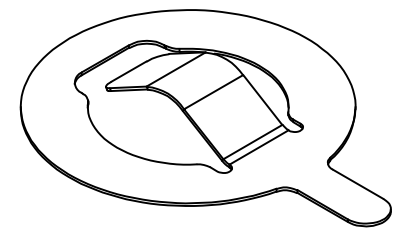
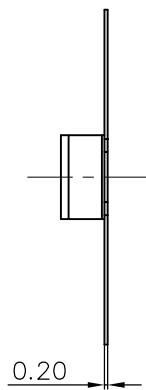
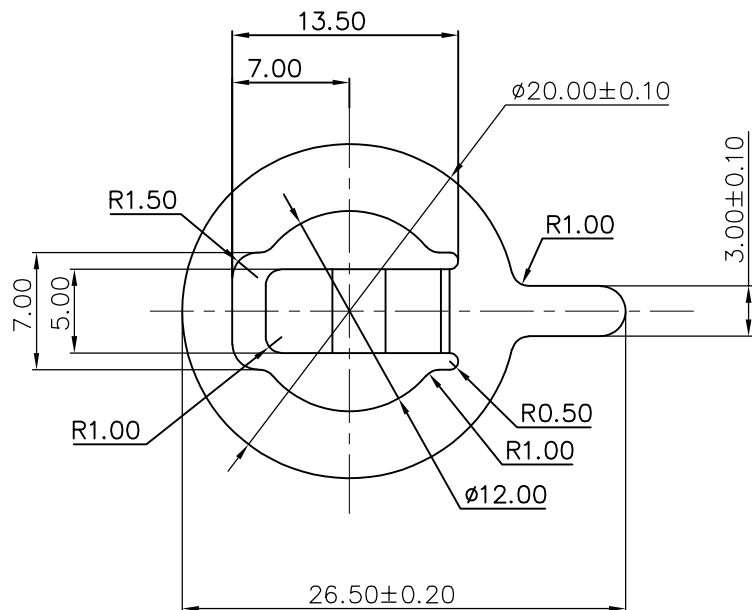




REV.	ECN NO.	REVISED	DATE



工程部
2021-11-11
LQ. HUANG

- 技术要求:
- 1、截断面毛刺高度 $\leq 0.03\text{mm}$;
 - 2、部件要求平整,无变形、裂纹、损伤等外观缺陷;

UNLESS OTHERWISE SPECIFIED TOLERANCES		MYOUNG 美阳 www.meiyangdz.com			
DECIMALS: X :±0.30 X.X :±0.25 X.XX :±0.20 X.XXX :±0.10	ANGLES: X :±1° X.X :±0.5°	DSND	YangFeng	DATE	2021-11-11
		CHKD	ZhouRuicai	DATE	2021-11-11
		APVD	XueShunyong	DATE	2021-11-11
WEIGHT:		SCALE:	SIZE: A4	VIEW:	
SHEET 1 OF 1		UNIT: mm	REV.: A/0	OBJECT: MY	TITLE: 电池接触片SJ-0243 镀镍
				PART NO.:	MY-SJ-0243N
				DRAW NO.:	MY-CP-0284

1	CONTACT SPRING	1	C5191 T=0.2mm	Ni-Plating
NO.	PART NAME	Q'TY	MATERIAL	PLATING & COLOR