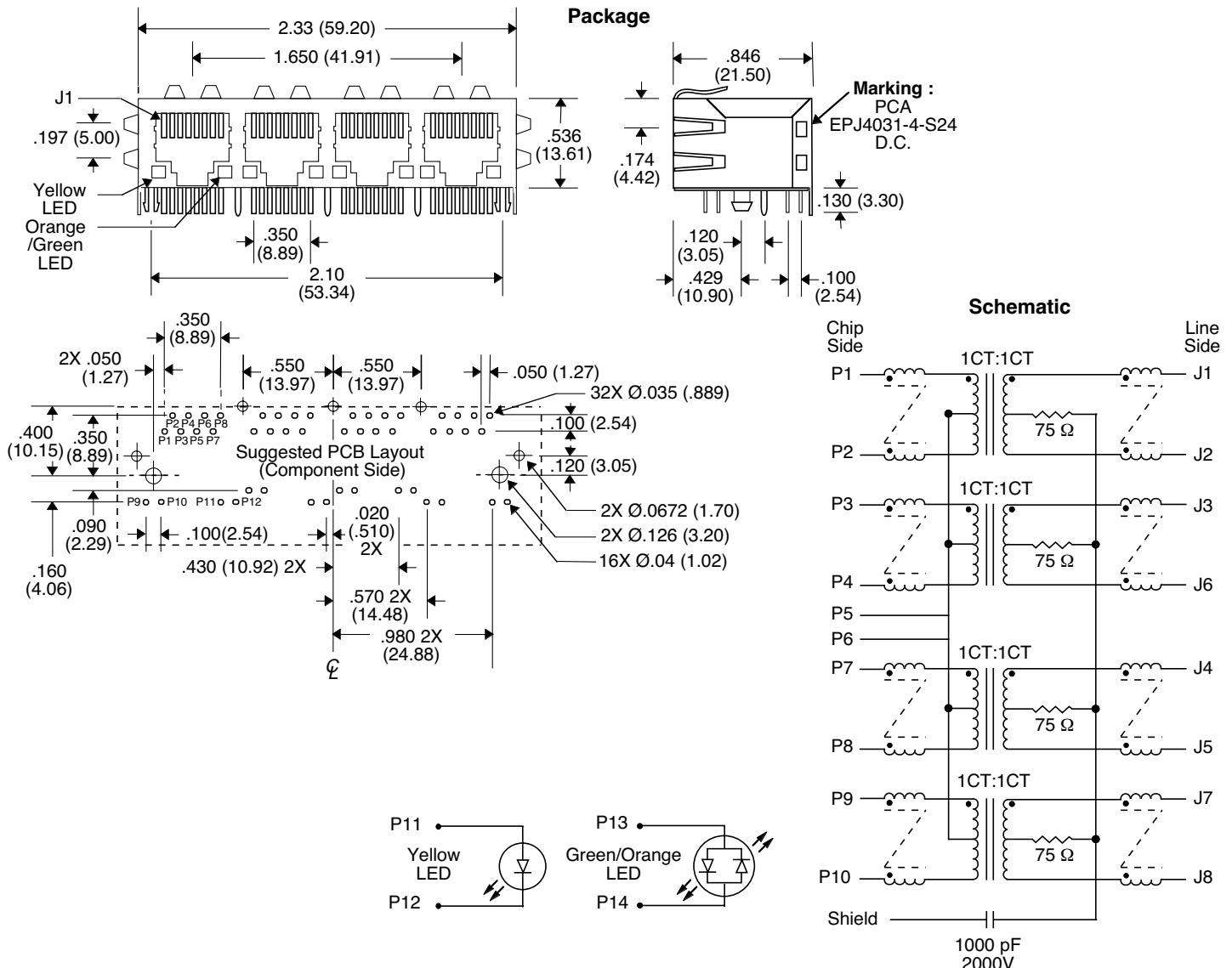


## EPJ4031-4-S24

- Space Saving RJ-45 Connectors
- Includes Common Mode Choke
- UL94V-0 Rated Connector Housing
- Complete Bob Smith Termination Included
- 1500 Vrms Isolation

### Electrical Parameters @ 25° C

Turns Ratio (± 5%)	OCL (μH Min.)	Insertion Loss (dB Max.)		Return Loss (dB Min.)		CMRR (dB Min.)	CDMR (dB Min.)	Crosstalk (dB Min.)
		1 MHz- 100 MHz	100 MHz- 125 MHz	0.3-40 MHz	40-100 MHz			
Xmit/Rcv	@ 100 KHz, 0.1 Vrms 8 mA DC Bias							
1:1/1:1	350	-0.8	-1.2	-18	-12	-35	-30	-33



Unless Otherwise Specified Dimensions are in Inches /mm ±.010 / .25