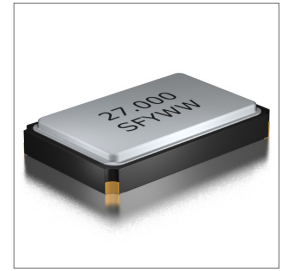
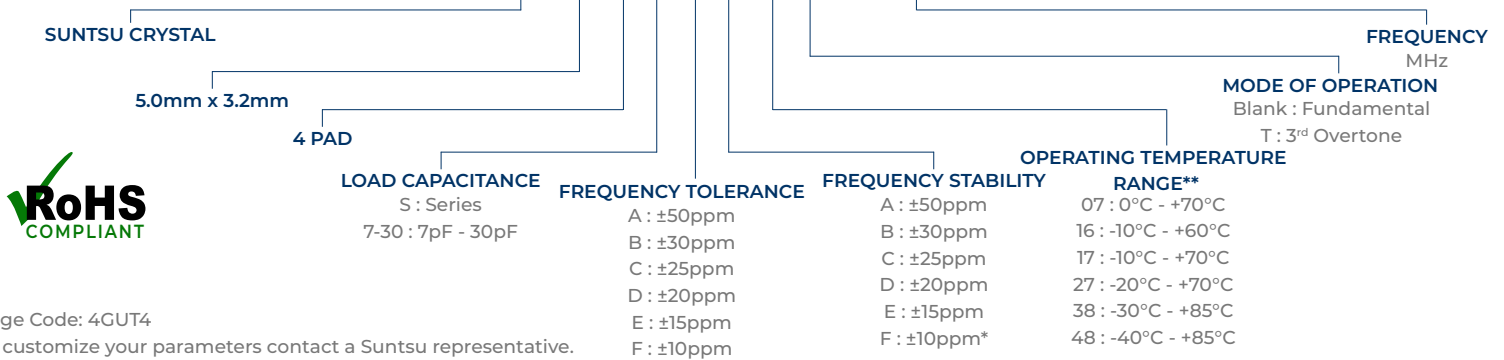


| Features |
|---|
| <ul style="list-style-type: none"> ±10ppm/±10ppm (Tolerance/Stability) Available Ultra-Miniature Package AT-Cut Fundamental Tape and Reel |

| Applications |
|--|
| <ul style="list-style-type: none"> Communication and Test Equipment PCMCIA Wireless Applications High Density Applications |


Part Numbering Guide
SXT 53 4 18 A A 48 T - 27.000M


Cage Code: 4GUT4

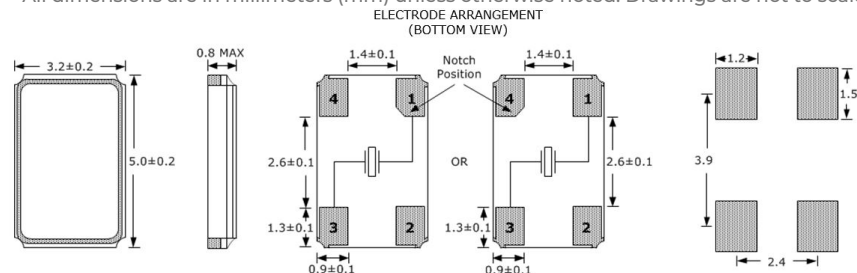
To customize your parameters contact a Suntsu representative.

* For frequency stability option F contact a Suntsu representative. ** For operating temperatures of -55-125°C a Suntsu representative.

| Electrical Parameters | Units | Minimum | Typical | Maximum | Remarks |
|---------------------------------|-------|---------|---------|---------|---------------------------------------|
| Frequency Range | MHz | 7.9921 | | 54 | AT-Cut Fundamental. |
| Frequency Range | MHz | 40 | | 125 | 3rd Overtone |
| Frequency Tolerance at +25°C | ppm | -10 | | +10 | See part numbering guide for options. |
| Frequency Stability vs. Op Temp | ppm | -10 | | +10 | See part numbering guide for options. |
| Frequency Stability vs. Aging | ppm | -3 | | +3 | First year @ +25°C. |
| Operating Temperature | °C | -40 | | +85 | See part numbering guide for options. |
| Storage Temperature | °C | -40 | | +125 | |
| Load Capacitance | pF | 7 | | 30 | See part numbering guide for options. |
| Shunt Capacitance | pF | | | 7 | |
| Drive Level | µW | | 10 | 100 | |
| Insulation Resistance | MΩ | 500 | | | @ 100VDC ± 15V. |
| 8.000MHz ~ 11.999MHz | Ω | | | 100 | AT-Cut Fundamental |
| 12.000MHz ~ 19.999MHz | Ω | | | 80 | AT-Cut Fundamental |
| ESR - 20.000MHz ~ 29.999MHz | Ω | | | 70 | AT-Cut Fundamental |
| 30.000MHz ~ 54.000MHz | Ω | | | 50 | AT-Cut Fundamental |
| 40.000MHz ~ 125.000MHz | Ω | | | 80 | 3rd Overtone |

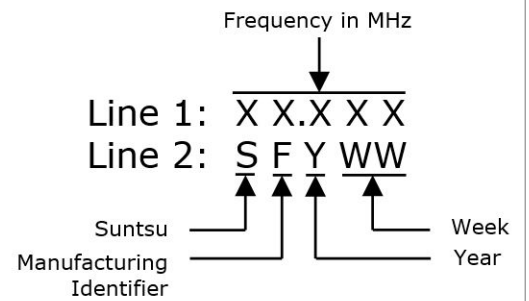
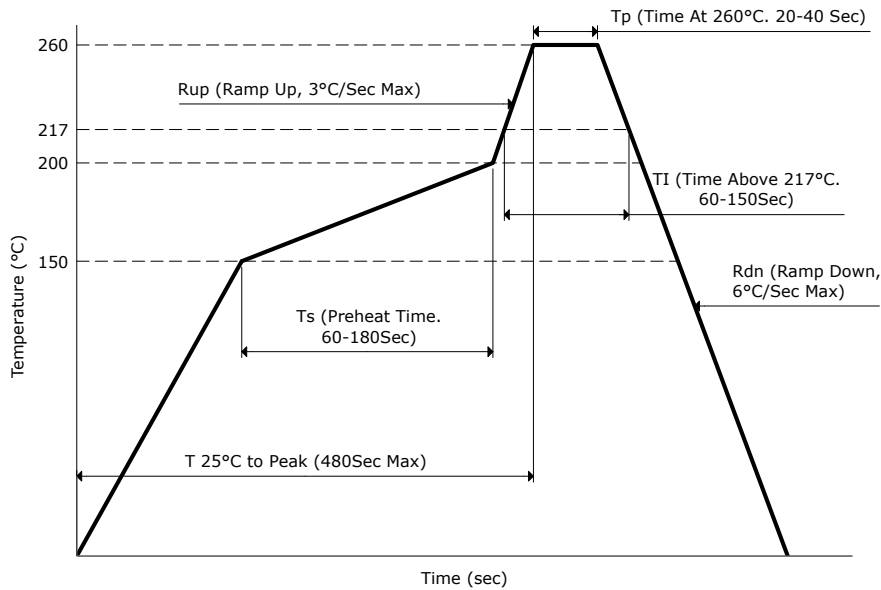
Outline Drawing & Recommended Landed Pattern

All dimensions are in millimeters (mm) unless otherwise noted. Drawings are not to scale.



| Environmental Specifications | | Mechanical Specifications | |
|------------------------------|---------------------------------------|------------------------------|---------------------------------------|
| Temperature Cycling | MIL-STD-883, Method 1010, Condition B | Mechanical Shock | MIL-STD-202, Method 213, Condition B |
| Fine Leak Test | MIL-STD-883, Method 1014, Condition A | Vibration | MIL-STD-883, Method 2007, Condition A |
| Gross Leak Test | MIL-STD-883, Method 1014, Condition C | Resistance to Soldering Heat | MIL-STD-202, Method 210, Condition K |
| Moisture Resistance | MIL-STD-883, Method 1004 | Resistance to Solvents | MIL-STD-202, Method 215 |
| Moisture Sensitivity | J-STD-020, MSL 1 | Solderability | MIL-STD-883, Method 2003 |

Reflow Profile & Part Marking



Tape And Reel Dimensions

All dimensions are in millimeters (mm) unless otherwise noted. Drawings are not to scale.

1,000pcs / Reel

