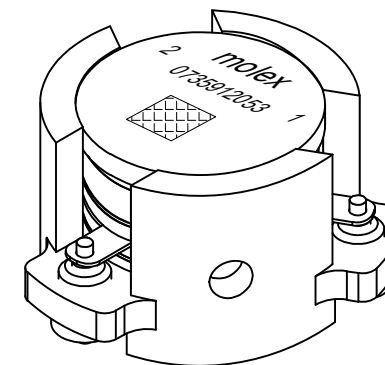
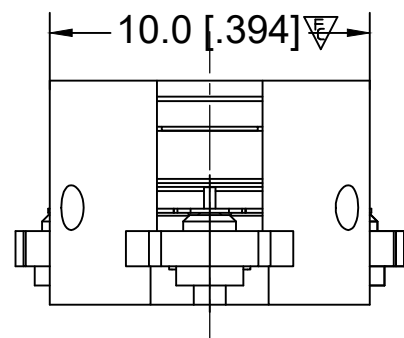
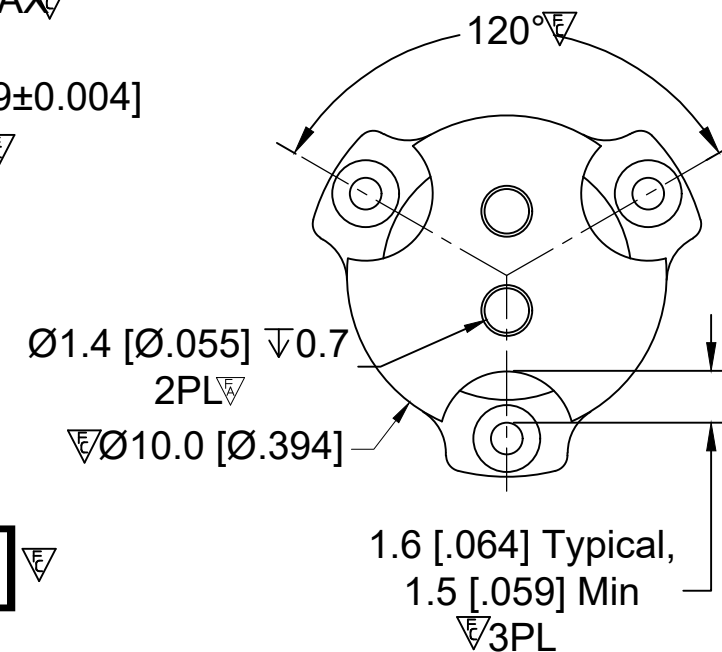
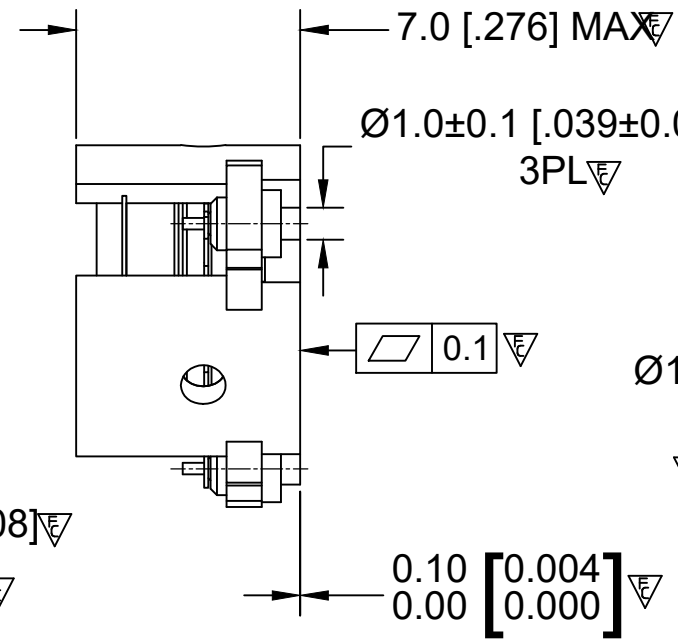
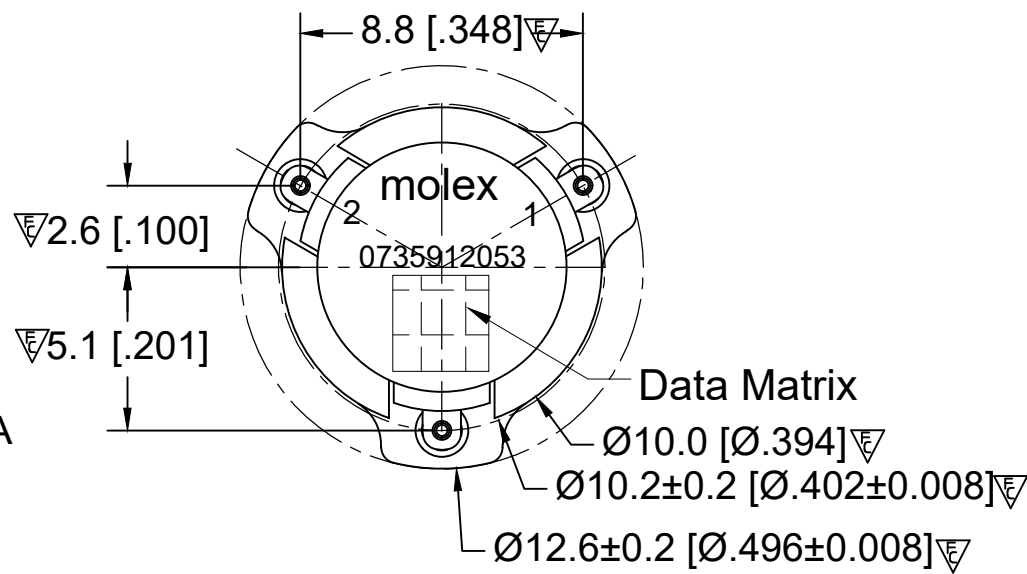
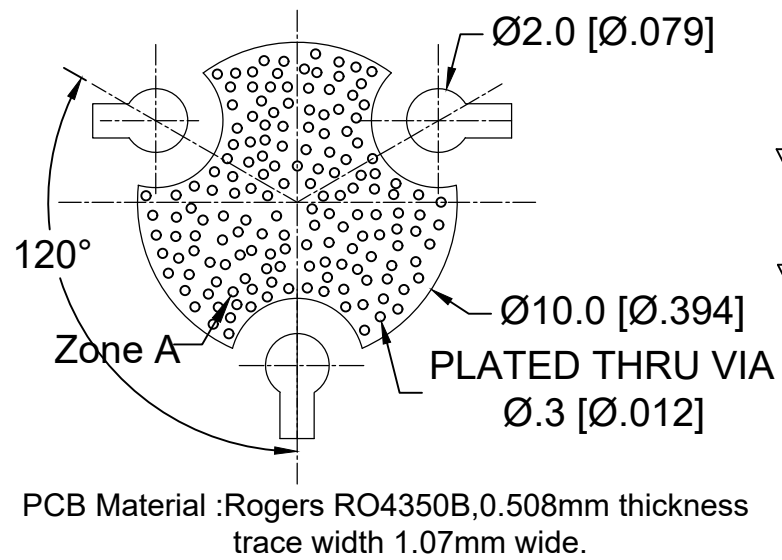


RECOMMENDED LAND PATTERN :

Zone A must be attached to heat sink. Thermal conductivity of intermediate layers between Zone A and heat sink must be better than 0.1 W / [°C x mm].



ELECTRICAL SPECIFICATIONS :

- Frequency Range : 4500~5000 MHz
- Insertion Loss : 0.25 dB@25°C ,0.28dB Max
- Isolation : 21 dB Min
- Return Loss : 21 dB Min
- Average Power : 20 W (CW)
- Peak Power : 160 W
- 2nd Harmonic : 10 dB min
- 3rd Harmonic : 5 dB min
- FMD(2 x 5 W, 1 MHz space) : -60 dBc Max
- Operating Temperature : -40°C to +105°C
- +105°C to +130°C : power capacity and reliability no change ,
Insertion loss reduce 20%, other spec.reduce 10%,
No reliability risk for long period work.
- Storage Temperature : -65°C to +155°C
- Direction : CCW

BODY: CARBON STEEL, SILVER PLATED

RIGID PINS: COPPER, SILVER PLATED

NOTES:

- 1.STANDARD INPUT/OUTPUT IMPEDANCE 50 Ohm
- 2.LEAD FREE, NO Nd MATERIAL, BeO FREE
- 3.THE DIMENSION OF DATE MATRIX IS 3X3MM INFORMATION INCLUDING WORK ORDER NUMBER-SERIAL NUMBER-MATERIAL NUMBER
- 4.THIS PART COMPLIES WITH ALL RoHS REQUIREMENTS

ENG PART#:812-450-500-VP040

FUNCTIONAL SYMBOLS FA=0 FE=0 FP=0	THIS DRAWING CONTAINS INFORMATION THAT IS PROPRIETARY TO MOLEX ELECTRONIC TECHNOLOGIES, LLC AND SHOULD NOT BE USED WITHOUT WRITTEN PERMISSION		CURRENT REV DESC: RELEASE TO PROD		molex
	DIMENSION UNITS: MM		SCALE: 1:1		
	GENERAL TOLERANCES (UNLESS SPECIFIED)				
	4 PLACES ±0.005 ±----		mm INCH		
DIVISIONAL SYMBOLS	3 PLACES ±0.025 ±----		EC NO: 696580		SMSJ CIRCULATOR/4500~5000MHZ/CCW
	2 PLACES ±0.13 ±----		DRWN: SREN05 2022/02/21		
	1 PLACE ±0.2 ±----		CHK'D: JLI252 2022/02/23		
	0 PLACES ±0.4 ±----		APPR: HWANG186 2022/03/01		
ANGULAR TOL ± 1.5 °		INITIAL REVISION:		RESTRICTED PRODUCT CUSTOMER DRAWING	
DRAFT WHERE APPLICABLE MUST REMAIN WITHIN DIMENSIONS		THIRD ANGLE PROJECTION		DOCUMENT NUMBER: 735912053	
		DRAWING: A3-SIZE		DOC TYPE: PSD	
		SERIES: 73591		DOC PART: 000	
		MATERIAL NUMBER: 0735912053		REVISION: A	
		CUSTOMER: CUSTOM PART		SHEET NUMBER: 1 OF 1	