



RoHS & Halogen Free & REACH Compliance.

## SPECIFICATION FOR APPROVAL

Customer : 深圳市福伯特电子有限公司

Customer P/N:

Drawing No :

Quantity : 0 Pcs. Date : 2018/10/24

Chilisin P/N : HEI201610A-1R0M-Q8DG

SPECIFICATION ACCEPTED BY:	
COMPONENT ENGINEER	
ELECTRICAL ENGINEER	
MECHANICAL ENGINEER	
APPROVED	
REJECTED	

### 注意事項

1. 此產品屬於工業級標準品，非車規產品！不能使用汽車配件中，若客戶未明確告知而私自使用到汽車配件中，產生任何後果，原廠不予負責售後服務；
2. 此產品承受最大电压25VDC；

Drawn by  
bingzhi.huang

Checked by  
jingying.zhang

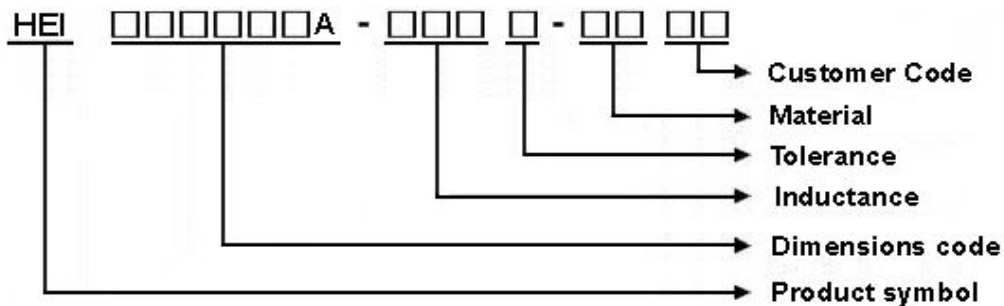
Approved by  
Steven



## HEI201610A Series Specification

**1 Scope:** This specification applies to Molding power inductors

**2 Part Numbering:**



**3 Rating:**

Operating Temperature:  $-40^{\circ}\text{C} \sim 125^{\circ}\text{C}$  (Including self - temperature rise)

Storage Temperature:  $-40^{\circ}\text{C} \sim 125^{\circ}\text{C}$  (after PCB)

$-5^{\circ}\text{C} \sim 35^{\circ}\text{C}$ , Humidity 45%~85% (before PCB)

**4 Marking:**



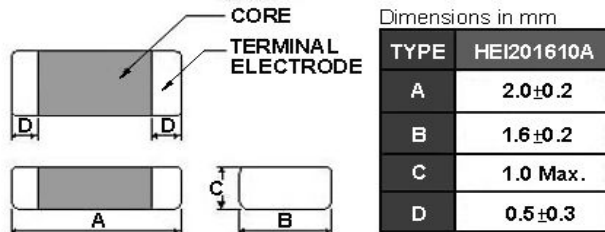
**5 Standard Testing Condition**

	Unless otherwise specified	In case of doubt
Temperature	Ordinary Temperature(15 to 35°C)	20 to 30°C
Humidity	Ordinary Humidity(25 to 85% RH)	50 to 80 %RH



## HEI201610A Series Specification

### 6 Configuration and Dimensions:



### 7 Electrical Characteristics:

Part No.	Inductance (uH)	Tolerance (±%)	Test Freq.	I <sub>rms</sub> (A) Max.(Typ)	I <sub>sat</sub> (A) Max.(Typ)	RDC(mΩ) Max.(Typ)
HEI201610A-R24M-Q8DG	0.24	20	2MHz,0.2V	3.9(4.8)	5.6(7.0)	27(21)
HEI201610A-R47M-Q8DG	0.47	20	2MHz,0.2V	3.5(4.2)	3.9(4.8)	42(33)
HEI201610A-R68M-Q8DG	0.68	20	2MHz,0.2V	2.7(3.4)	3.2(4.0)	56(43)
HEI201610A-1R0M-Q8DG	1	20	2MHz,0.2V	2.5(3.1)	2.9(3.6)	65(53)
HEI201610A-1R5M-Q8DG	1.5	20	2MHz,0.2V	2.3(2.7)	2.5(2.8)	85(75)
HEI201610A-2R2M-Q8DG	2.2	20	2MHz,0.2V	1.8(2.2)	2.4(2.7)	135(112)

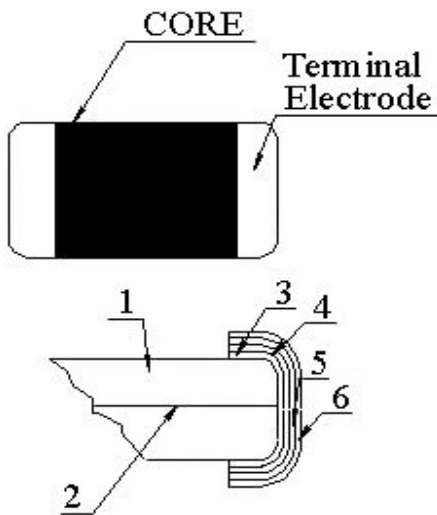
#### NOTE:

1. Operating temperature range - 40°C ~ 125°C (Including self - temperature rise)
2. I<sub>sat</sub> for Inductance drop 30% from its value without current.
3. I<sub>rms</sub> for a 40°C temperature rise from 25°C ambient.
4. All test data is referenced to 25°C ambient
5. Absolute maximum voltage 20VDC

## HEI201610A Series Specification

### 8 HEI201610A Series

#### 8.1 Construction:



#### 8.2 Material List:

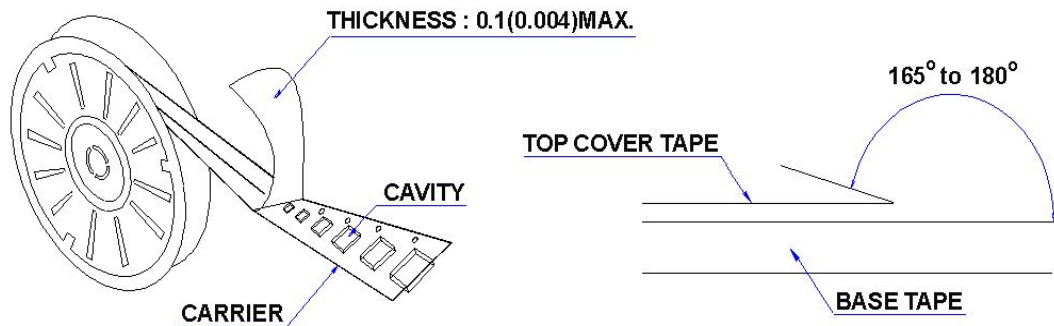
No	Part	Material
1	Core	Metal Powder
2	Wire	Copper wire
3	Sputter/Plating	Cu
4	Silver Electrode	Ag
5	Plating	Ni
6	Plating	Sn

# HEI201610A Series Specification

## 9 Packaging:

### 9.1 Packaging -Cover Tape

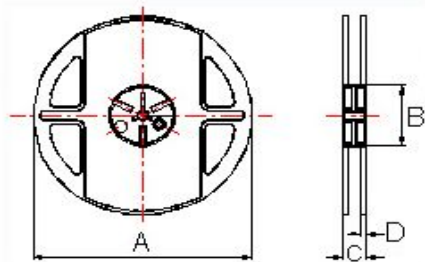
The force for tearing off cover tape is 10 to 100 grams in the arrow direction.



### 9.2 Packaging Quantity

TYPE	PCS/REEL
HEI201610A	3000

### 9.3 Reel Dimensions



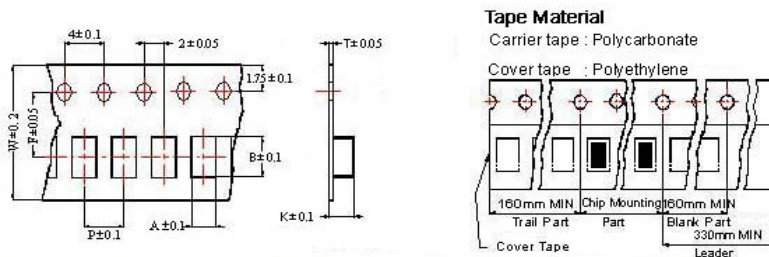
Dimensions in mm

TYPE	A	B	C	D
HEI201610A	178	60	12	1.5

## HEI201610A Series Specification

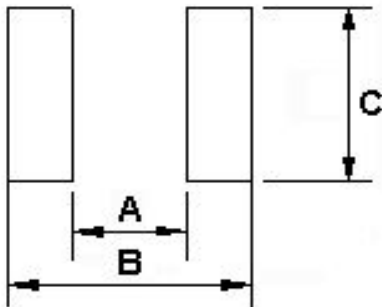
### 9 Packaging:

#### 9.4 Tape Dimensions in mm



TYPE	A	B	T	W	P	F	K
HEI201610A	1.8	2.2	0.22	8	4	3.5	1.15

### 10 Recommended Land Pattern:



Dimensions in mm

TYPE	A	B	C
HEI201610A	0.7	2.3	1.8

### 11 Note:

- Please make sure that your product has been evaluated and confirmed against your specifications when our product is mounted to your product.
- Do not knock nor drop.
- All the items and parameters in this product specification have been prescribed on the premise that our product is used for the purpose, under the condition and in the environment agreed upon between you and us. You are requested not to use our product deviating from such agreement.
- Please keep the distance between transformer/coil and other components (refer to the standard IEC 950)
- After manufacturing process, there might be slight irregular shape on the edge of the products, and it's a normal phenomenon that can be neglected
- The moisture sensitivity level (MSL) of products is classified as level 1.



## HEI201610A Series Specification

12 Graph: HEI201610A-1R0M-Q8DG

