

The Most **Reliable**
Storage For Industries

SDM7-M 7P/180D DP



SDM7-M 7P/180D DP

Overview

Apacer SDM7-M 7P/180D DP (SATA Disk Module 7 7Pin/180 Degree DP) is a super-mini Industrial SSD module that is made with rigid and flex boards having a hinged design that allows the boards to stack for better flexibility and shock absorption. The result achieves a boosted memory capacity of 256GB at four-channel speed, up to 525MB/s read and 350MB/s write. Besides, SDM7-M DP features Apacer Multi-PowerPath options giving the possibilities to power the host either via a conventional cable or cable-less design via pin7 or state-of-art 7+2 pin connector, which in turn provides developers maximum flexibility when it comes to board design. Moreover, the device adopts the latest page mapping file translation layer, thermal throttling and write protect function making it a powerful yet compact solution for space-limited design. Last but not the least, SDM7-M DP can be delivered with Apacer CoreAnalyzer analysis software on request making it possible to quantify the actual workload on application which is critical in evaluating life cycle of host applications.



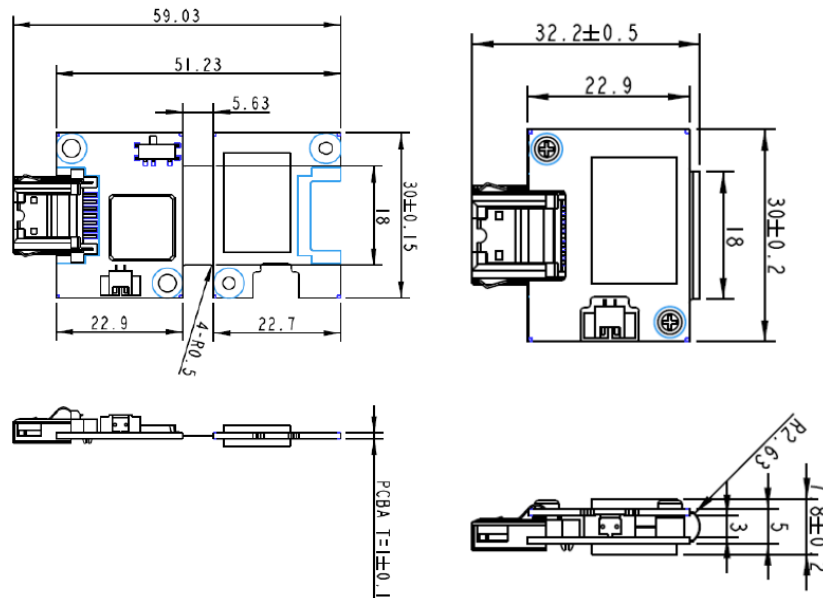
Feature

- 7-pin SATA connector
- Unique Hook Design
- Power Cable-less Solution
- Perfect Solution for 1U System
- TRIM Command Support
- Product Housing Selection (Optional)
- Built-in ATA Secure Erase and S.M.A.R.T. Functions
- Global Wear-Leveling and Block Management

Specifications

Model	SDM7-M 7P/180D DP
Interface	SATA 3.0 (6Gb/s)
Connector	7-pin
Form Factor	SATA Disk Module
NAND Flash Type	MLC
Capacity	32GB ~ 256GB
External DRAM	Yes
Sustained Read Performance (MB/sec)	Up to 525
Sustained Write Performance (MB/sec)	Up to 355
ECC Engine	Built-in 72-bit per 1K bytes BCH ECC
IOPs (4K Random Write)	76K
Standard Operating Temperature (°C)	0 ~ + 70
Extended Operating Temperature (°C)	-40 ~ + 85
Storage Temperature (°C)	-40 ~ + 100
Housing	No
H/W Write Protect	Optional
Screw Hole	No
Cable-less Solution	Optional (7+2 cable-less, Pin 7 Power cable-less)
Thermal sensor	Yes
Shock	Operation: 50G, 11ms Non-operation: 1500G, 0.5ms
Vibration	Operation: 7.69 Grms, 20~2000 Hz/random (compliant with MIL-STD-810G) Non-operation: 15 G, 10 ~ 2000 Hz/sine
Operating Voltage	5.0 V ± 5%
Power Consumption	Active mode: 610 mA & Idle mode: 60 mA
Dimension (L x W x H)	30.0 x 32.5 x 7.80 (mm)
MTBF (hours)	>1,000,000

Mechanical Specification



Unit: mm

For more information,
contact your Apacer representative

Global Presence

Taiwan (Headquarters)
Apacer Technology Inc.
Tel: +886-2-2267-8000
Fax: +886-2-2267-2261

Europe
Apacer Technology B.V.
Tel: +31-40-267-0000
Fax: +31-40-290-0686

U.S.A.
Apacer Memory America, Inc.
Tel: +1-408-518-8699
Fax: 1-510-249-9551

China
Apacer Electronic(Shanghai)
Co., Ltd.
Tel: +86-21-6228-9939

Japan
Apacer Technology Corp.
Tel: +81-3-5419-2668
Fax: +81-3-5419-0018

India
Apacer Technologies Pvt. Ltd.
Tel: +91-80-41529061~3
Fax: +91-80-41700215