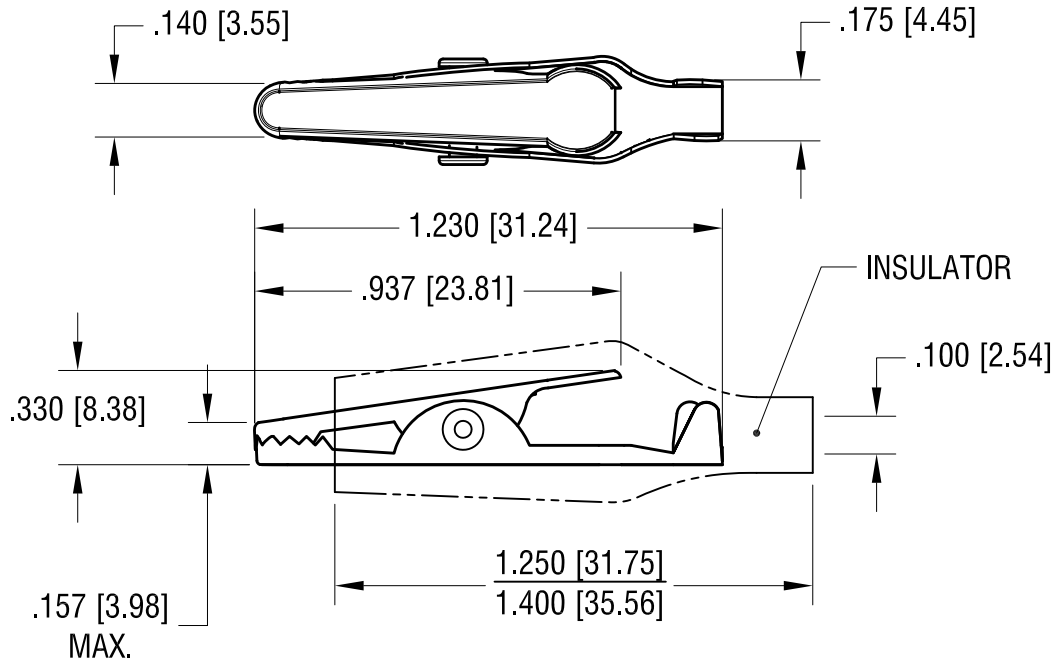
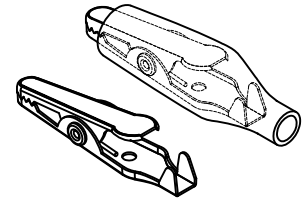


THIS DOCUMENT IS THE PROPERTY OF
KEYSTONE ELECTRONICS CORP. AND
SHALL NOT BE REPRODUCED, DISTRIBUTED
OR USED AS A BASIS FOR MANUFACTURE
WITHOUT PRIOR WRITTEN PERMISSION
FROM KEYSTONE ELECTRONICS CORP.

ACTUAL SIZE



NOTE:

1. PARTS ARE RoHS COMPLIANT

PART NO.	COLOR, VINYL INSULATOR
5033	NO INSULATOR
5034	RED
5035	BLACK
5036	GREEN
5037	YELLOW

DATE	DESCRIPTION	REV.
11.06.08	CHANGE AS PER ECN 08-175	B
10.28.93	UPDATE ALL DIME'S & TOLERANCES	A

KEYSTONE ELECTRONICS CORP.			
www.keyelco.com • NEW HYDE PARK, NY 11040 • Tel (516) 328-7500			
PART NAME			
SMALL ALLIGATOR CLIP			
MATERIAL			
STEEL			
FINISH		DRN BY	DATE
NICKEL PLATE		BOONE	11.18.82
		APP'D	SCALE
		LN	2X
TOLERANCES	INCH [MM]	CODE	DWG NO.
DECIMAL	± .020 [± 0.50]	C	5033-5037
ANGULAR	± 1°		
UNLESS OTHERWISE SPECIFIED			