

**CJ79L12** Three-terminal negative voltage regulator

**FEATURES**

Maximum output current

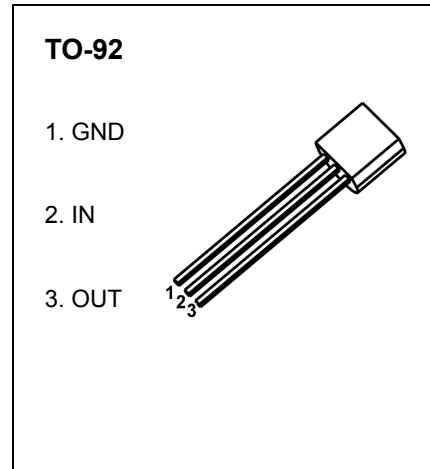
$I_{OM}$ : 0.1 A

Output voltage

$V_o$ : -12 V

Continuous total dissipation

$P_D$ : 0.625 W



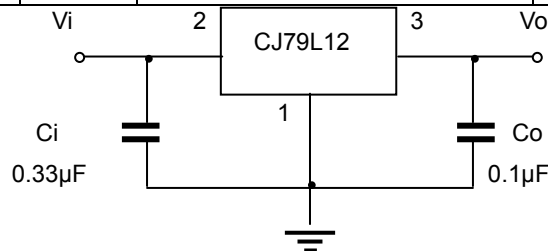
**ABSOLUTE MAXIMUM RATINGS (Operating temperature range applies unless otherwise specified)**

Parameter	Symbol	Value	Unit
Input Voltage	$V_I$	-35	V
Operating Junction Temperature Range	$T_{OPR}$	0~+150	°C
Storage Temperature Range	$T_{STG}$	-55~+150	°C

**ELECTRICAL CHARACTERISTICS AT SPECIFIED VIRTUAL JUNCTION TEMPERATURE ( $V_i=19V, I_o=40mA, C_i=0.33\mu F, C_o=0.1\mu F$ , unless otherwise specified )**

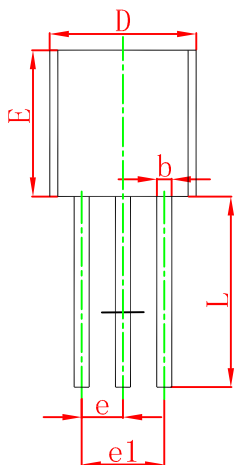
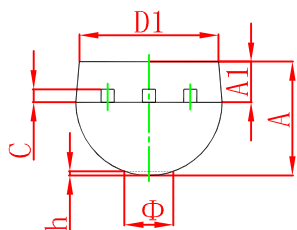
Parameter	Symbol	Test conditions	Min	Typ	Max	Unit	
Output Voltage	$V_o$	25°C	-11.5	-12	-12.5	V	
		-14.5V ≤ $V_i$ ≤ -27V, $I_o=1mA\sim 40mA$	0-125°C	-11.4	-12	-12.6	V
		$I_o=1mA\sim 70mA$		-11.4	-12	-12.6	V
Load Regulation	$\Delta V_o$	$I_o=1mA\sim 100mA$	25°C	24	100	mV	
		$I_o=1mA\sim 40mA$	25°C	15	50	mV	
Line Regulation	$\Delta V_o$	-14.5V ≤ $V_i$ ≤ -27V	25°C	50	250	mV	
		-16V ≤ $V_i$ ≤ -27V	25°C	40	200	mV	
Quiescent Current	$I_q$	25°C			6.5	mA	
Quiescent Current Change	$\Delta I_q$	-16V ≤ $V_i$ ≤ -27V	0-125°C		1.5	mA	
	$\Delta I_q$	1mA ≤ $I_o$ ≤ 40mA	0-125°C		0.1	mA	
Output Noise Voltage	$V_N$	10Hz ≤ $f$ ≤ 100KHz	25°C	80		μV	
Ripple Rejection	RR	-15V ≤ $V_i$ ≤ -25V, $f=120Hz$	0-125°C	37	42	dB	
Dropout Voltage	$V_d$	25°C		1.7		V	

**TYPICAL APPLICATION**



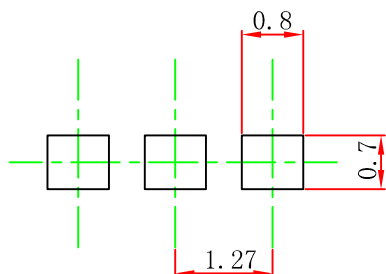
Note: Bypass capacitors are recommended for optimum stability and transient response and should be located as close as possible to the regulators.

## TO-92 Package Outline Dimensions



Symbol	Dimensions In Millimeters		Dimensions In Inches	
	Min	Max	Min	Max
A	3.300	3.700	0.130	0.146
A1	1.100	1.400	0.043	0.055
b	0.380	0.550	0.015	0.022
c	0.360	0.510	0.014	0.020
D	4.400	4.700	0.173	0.185
D1	3.430		0.135	
E	4.300	4.700	0.169	0.185
e	1.270 TYP		0.050 TYP	
e1	2.440	2.640	0.096	0.104
L	14.100	14.500	0.555	0.571
Φ		1.600		0.063
h	0.000	0.380	0.000	0.015

## TO-92 Suggested Pad Layout



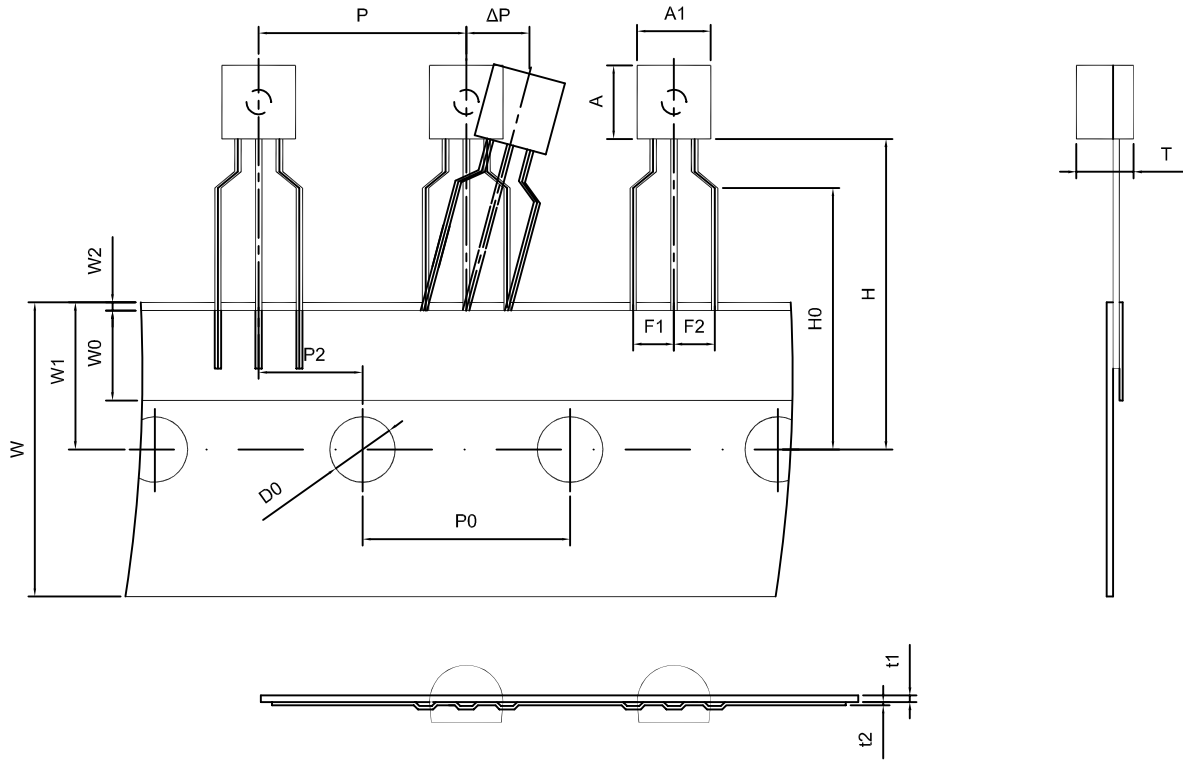
### Note:

1. Controlling dimension: in millimeters.
2. General tolerance:  $\pm 0.05\text{mm}$ .
3. The pad layout is for reference purposes only.

### NOTICE

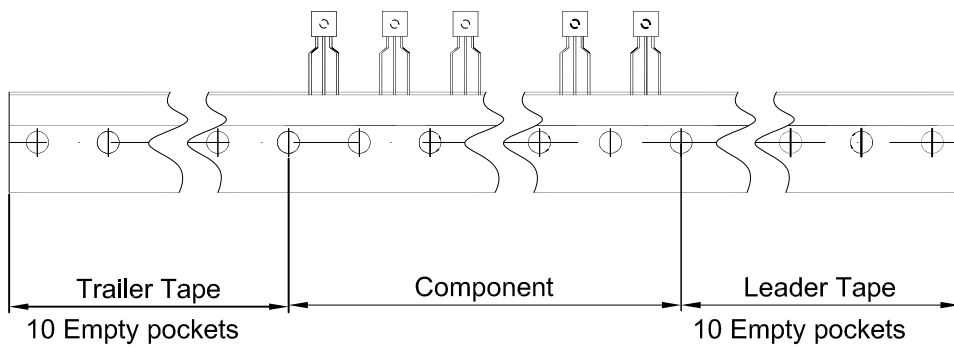
JCET reserve the right to make modifications, enhancements, improvements, corrections or other changes without further notice to any product herein. JCET does not assume any liability arising out of the application or use of any product described herein.

# TO-92 PACKAGE TAPEING DIMENSION



Dimensions are in millimeter

A1	A	T	P	P0	P2	F1	F2	W
4.5±0.2	4.5±0.2	3.5±0.2	12.7±0.3	12.7±0.2	6.35±0.3	2.5±0.3	2.5±0.3	18.0+1.0/-0.5
W0	W1	W2	H	H0	D0	t1	t2	ΔP
6.0±0.5	9.0±0.5	1.0 MAX.	19.0±1.0	16.0±0.5	4.0±0.5	0.4±0.05	0.2±0.05	0 ± 1.0



Package	Box	Box Size(mm)	Carton	Carton Size(mm)
TO-92	2000 pcs	333×162×43	20,000 pcs	350×340×250