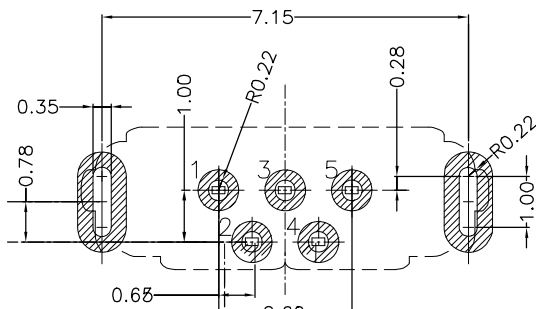
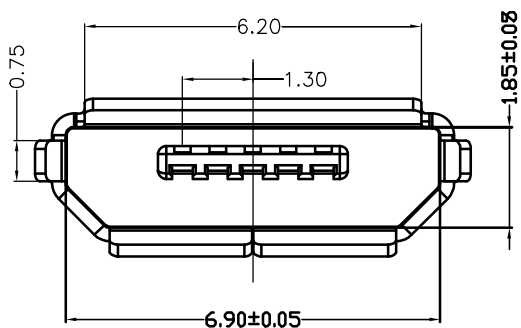
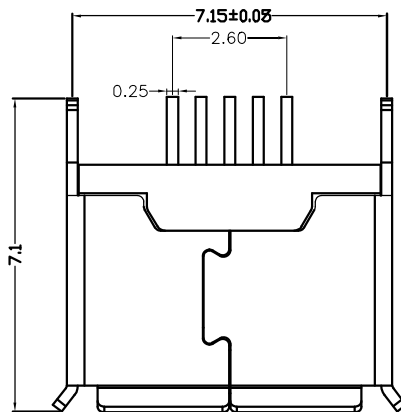
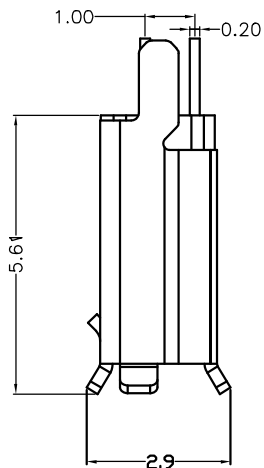
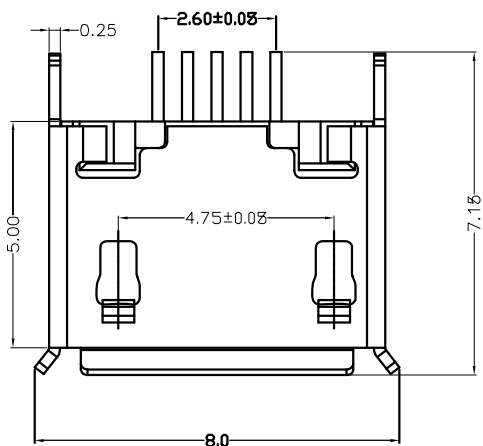




REV.	ECN NO OR DESCRIPTION	REVISED	DATE



Note:

1. Material:

1.1 Housing: High temperature thermoplastic with g.f, UL94v-0

1.2 Contact: copper alloy, t=0.20mm

1.3 Shell: copper alloy, t=0.25mm

2. Specification:

2.1 Current rating: 1 A Max.

2.2 Dielectric withstanding

voltage: 100 V(ac) for 1 min.

2.3 Contact resistance: 50 mW Max.

2.4 Insulation resistance: 100 MW Min.

2.5 Total mating force: 3.57 Kgf Max.

2.6 Total unmating force: 1.0 Kgf Min. 0.81~2.05

Kgf Min. after 3000 insertion/extraction cycles

2.7 Temperature range: -30. C~80. C

UNLESS OTHERWISE SPECIFIED TOLERANCES



东莞市汉博电子科技有限公司  
DONGGUAN HANBO TECHNOLOGY CO., LTD

DECIMALS:	ANGLES:
X :±0.50	X :±2°
.X :±0.20	X.X :±1°
.XX :±0.10	
.XXX :±0.03	

TITLE	MICRO 5P / F B TYPE 180度插板卷边		
DWN	xiong	PART NO.	MC-606-AJT
CHKD	lee	SCALE:1:1	UNIT: mm
APVD	wang	SIZE: A4	SHEET:1OF 1
			REV: A4

CUSTOMER COPY