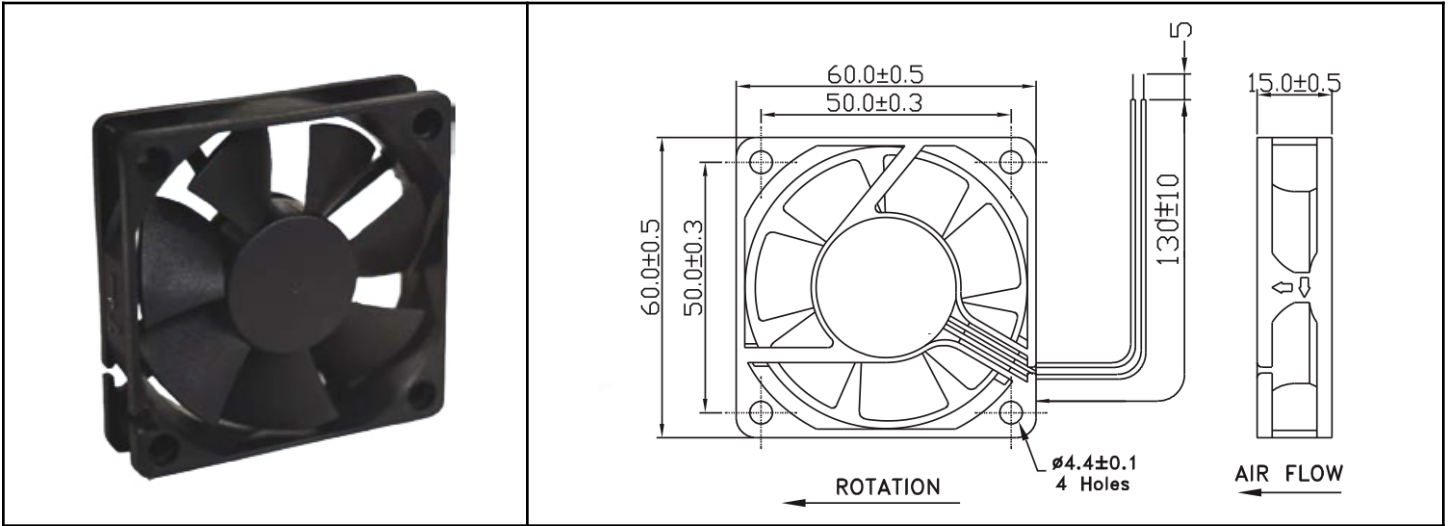


# OD6015 Series



DC Fan - 5, 12, 24V  
60x15mm (2.36"x 0.59")



Frame & Impeller	PBT, UL94V-O plastic	<b>Available Options:</b> Tachometer (FG) Alarm (RD) Other frame styles available Sleeve Bearing  <u>Life Expectancy (L10)</u> Ball Bearing 60,000 hours (L10 at 40C)  <u>Operating Temperature</u> Ball Bearing -20C ~ +80C	
Connection	2x Lead wires		
Motor	Brushless DC, auto restart, polarity protected		
Bearing System	Dual Ball		
Insulation Resistance	10M ohm between leadwire and frame (500VDC)		
Dielectric Strength	1 second at 500 VAC, max leakage - 500 MicroAmp		
Storage Temperature	-30C ~ +90C		

Model Number	Speed (RPM)	Airflow (CFM)	Noise (dB)	Volts DC	Power Input (Watts)	Amps	Max. Static Pressure (H2O)
OD6015-05HB	4500	16	33	5	1.10	0.22	0.15
OD6015-05MB	3900	14	29	5	0.90	0.18	0.12
OD6015-05LB	3500	12	25	5	0.60	0.12	0.08
OD6015-12HHB	5100	18	39	12	1.44	0.12	0.17
OD6015-12H*	4500	16	33	12	1.08	0.09	0.15
OD6015-12M*	3900	14	29	12	0.98	0.08	0.12
OD6015-12L*	3500	12	25	12	0.84	0.07	0.08
OD6015-12LLB	3100	11	21	12	0.72	0.06	0.06
OD6015-24HB	4500	16	33	24	1.2	0.05	0.15