

ZipWirePlus™ M28927 G.shdsl AFE/LD G.shdsl High Efficiency Integrated Analog Front End/Line Driver (AFE/LD)

M28927

**Low power, Compact 7mm² Package
Highly Integrated Efficient Analog Front
End and Line Driver**

Highly Integrated

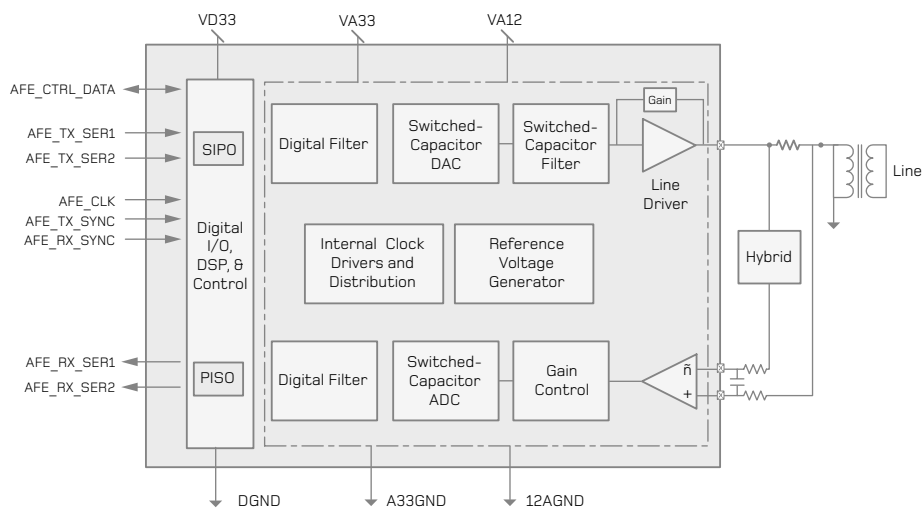
The M28927, used with the M28945, M28946, and M28985 multimode G.shdsl transceivers, offers a high density, low power, and highly flexible platform to solve the most demanding symmetrical DSL applications.

Multimode Operation

Integrating a high performance, low power, Analog Front End and Line Driver into a single 7mm² TQFP leaded package, the M28927 supports all G.shdsl operations including the high-power OPTIS/EPAP modes without transformer or other circuit changes. In addition, the M28927 supports full operation in HDSL2, SDSL, and 2B1Q modes of operation including AutoBaud™ and Mindspeed's exciting loop qualification software, LoopWizard™.

KEY FEATURES

- Highly Integrated
- Ultra Low Power
- Small size
- Multi-mode operation
- Interoperable with all ZipWire transceivers including AutoBaud



M28927 Diagram



Product Features

- Supports all modes in a single configuration
 - G.shdsl
 - SDSL
 - HDSL2
 - HDSL4
- Supports LoopWizard Advanced Line Diagnostics (when used with ZipWireMulti)
- Low power (720mw)
- Compact design (7mm_ TQFP leaded package)

Applications

- DSL-enabled customer premises equipment (CPE)
- Integrated access devices (IADs)
- Digital subscriber line access multiplexers (DSLAMs)
- N-Channel DAML and voice pairgain systems
- Nx64K data transport
- Remote LAN access
- T1 and E1 HDSL-enabled transport systems
- Cellular base station data links
- Campus modems
- Data, voice and video transport systems

www.mindspeed.com/salesoffices

General Information: (949) 579-3000

Headquarters – Newport Beach

4000 MacArthur Blvd., East Tower

Newport Beach, CA 92660-3007

28927-BRF-001-A M03-0767

© 2002 Mindspeed Technologies™, a Conexant business. All rights reserved. Mindspeed and the Mindspeed logo are trademarks of Mindspeed Technologies. All other trademarks are the property of their respective owners. Although Mindspeed Technologies strives for accuracy in all its publications, this material may contain errors or omissions and is subject to change without notice. **This material is provided as is and without any express or implied warranties, including merchantability, fitness for a particular purpose and non-infringement.** Mindspeed Technologies shall not be liable for any special, indirect, incidental or consequential damages as a result of its use.

MINDSPEED™
A CONEXANT BUSINESS