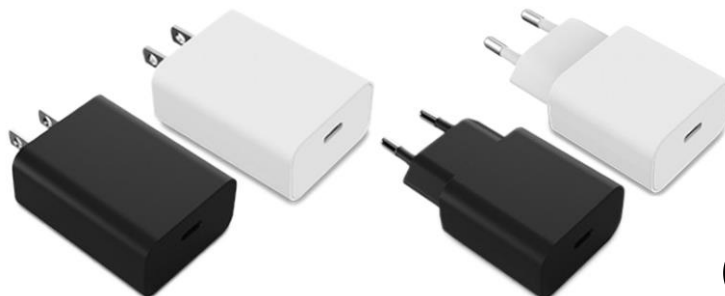




15 Watt USB Adapter with USB Type-C



Features

- USB Type-C
- DOE Level VI, CoC V5Tier 2
- Class B EMI
- Limited Power Source (LPS)
- Voltage Drop Compensation
- Complies with USB Type-C Specification
- Over Voltage and Short Circuit Protections

Applications

- Mobile Phone
- Tablet
- Notebook
- Networking Devices
- Monitor

Safety Approvals (Preliminary)

- cUL/UL
- CB
- CE

Mechanical Characteristics

- Length: 52mm (2.05in)
- Width: 40mm (1.57in)
- Height: 23.3mm (0.92in)

Output Specifications

Model	Prong Style	Case Color	Output Power	Output Voltage	Current Rating	Ripple ⁽¹⁾ P-P (max.)
AQ15A-050A	US	Black	15W	5V	3A	150mV
AQ15A-050AW	US	White	15W	5V	3A	150mV
AQ15E-050A	EU	Black	15W	5V	3A	150mV
AQ15E-050AW	EU	White	15W	5V	3A	150mV

Notes: (1) Measured by using a 12 inch twisted pair terminated with a 10uF & 0.1uF ceramic in parallel. Oscilloscope is set to 20MHz.

Phihong is not responsible for any error, and reserves the right to make changes without notice. Please visit our website at www.phihong.com for the most up-to-date specifications and contact information.

AQ15X Characteristics

WWW.PHIHONG.COM

Input:

AC Input Voltage Rating

100 to 240V AC

AC Input Voltage Range

90 to 264V AC

AC Input Frequency

47 to 63Hz

Input Current

0.5A (RMS) maximum at 100Vac

Leakage Current

20uA Max.

Inrush Current

60A max @240V (Cold start)

Input Power Saving

<75mW @115VAC/230VAC

Output:

Efficiency

US DOE Level VI

CoC V5 Tier 2

Environmental:

Temperature

Operation 0 to +40°C

Non-operation -40 to +85°C

Humidity 90% RH max

DC Output Connector

USB Type C

Emissions

FCC Class B

EN55022 Class B

Immunity

EN61000-4-2, Level 4

EN61000-4-5

Hold-up Time

10mS minimum at 115V/60Hz &

230Vac/50Hz max load

Over-Voltage Protection

Output voltage shall not exceed 9V

Short-Circuit Protection

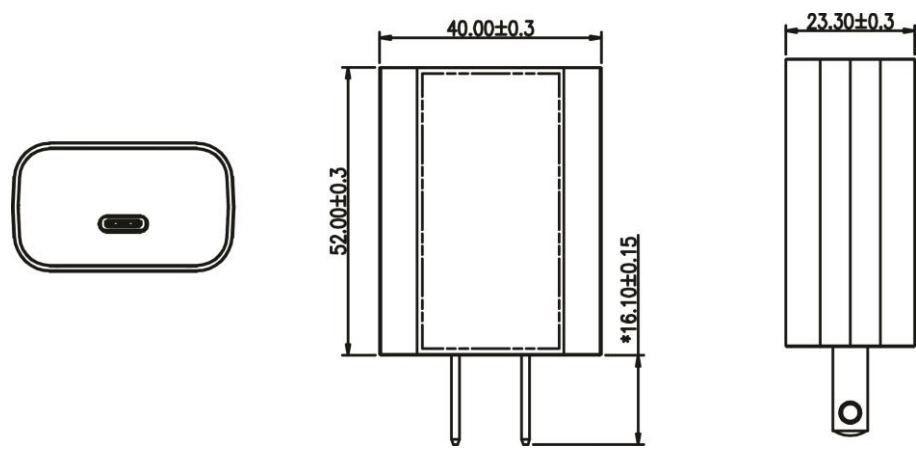
Auto Recover

Dielectric Withstand (Hi-pot) Test

Primary to Secondary: 3000V AC for 1 min.,

10mA

AQ15A-050A Dimension Diagram Unit: mm (inch)



AQ15E-050A Dimension Diagram Unit: mm (inch)

