

### LD20011C/D Series – 2.00 inch Single Digit 16 Segment LED Display



**ATTENTION**  
OBSERVE PRECAUTIONS  
FOR HANDLING  
ELECTROSTATIC  
DISCHARGE  
SENSITIVE  
DEVICES



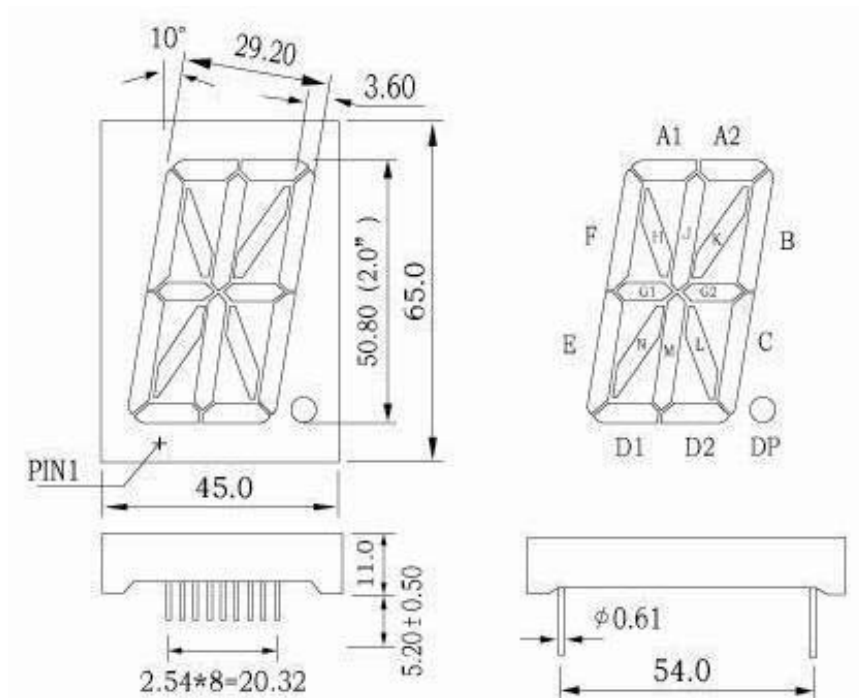
#### Features

- 50.80 mm (2.00 inch) digit high
- Excellent digit appearance
- Wide viewing angle
- Range of emitted colors
- I.C. compatible
- Low power consumption
- White segment, black face
- RoHS compliant

#### Available options

- Alternative emitting luminosity:  
Standard or high brightness version
- Alternative emitted color
- Alternative face and segment color
- Alternative font
- Both CA and CC versions are available
- Cropped terminal pins

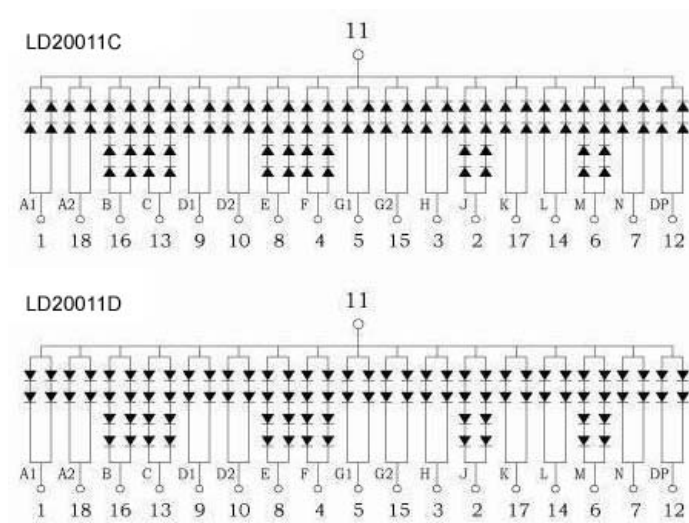
#### Package Dimensions



#### Notes:

1. All dimensions are in millimeters (inches), Tolerance is  $\pm 0.25\text{mm}$ (0.01inch) unless otherwise noted.
2. Specifications are subject to change without notice.
3. The gap between the reflector and PCB shall not exceed 0.25mm.

## Internal Circuit Diagram



## Selection Guide

Single Digit 16 Segment LED Display, Digit Height: 50.80mm(2.00inch), External Dimensions: 45.00x65.00x11.00mm (L x W x H)

Part No.		Chip			$I_V@I_F=40mA$		$I_V@I_F=40mA$	
Common Cathode	Common Anode	Material	Color	WLD	One Seg		One Seg A,D,G,H,K,L or DP	
					Min.	Typ.	Min.	Typ.
LD20011CR	LD20011DR	GaAlAs	Super Red	640	48	60	24	30
LD20011CD	LD20011DD	GaAlAs	Hi-Red	640	108	150	54	75
LD20011CO	LD20011DO	GaAlAs	Orange	625	42	54	21	27
LD20011CY	LD20011DY	GaAlAs	Yellow	588	48	60	24	30
LD20011CG	LD20011DG	GaP	Green	568	42	54	21	27
LD20011CUR	LD20011DUR	AlGaInP	Ultra Red	640	180	270	90	135
LD20011CUO	LD20011DUO	AlGaInP	Ultra Orange	625	270	360	135	180
LD20011CUA	LD20011DUA	AlGaInP	Ultra Amber	605	180	270	90	135
LD20011CUY	LD20011DUY	AlGaInP	Ultra Yellow	595	180	270	90	135
LD20011CUG	LD20011DUG	AlGaInP	Ultra Green	573	180	270	90	135
LD20011CPG	LD20011DPG	InGaN	Pure Green	525	720	1800	360	900
LD20011CUB	LD20011DUB	InGaN	Ultra Blue	470	180	270	90	135
LD20011CUW	LD20011DUW	SMD	Ultra White	\	600	720	300	360
Unit:	\	\	\	nm	mcd	mcd	mcd	mcd

## Electrical Characteristics & Absolute Maximum Ratings

Parameter		Electrical optical Characteristics <sup>[1]</sup>			Absolute Maximum Ratings <sup>[1]</sup>		
Emitted color		Forward Voltage @ IF=20mA		Reverse Current VR=5V	Power Dissipation	DC Forward Current	Peak Forward Current <sup>[2]</sup>
		Typ.	Max.				
Super Red	Per Seg.	1.8	2.2	30	60	25	100
	Per DP	1.8	2.2	30	60	25	100
Hi-Red	Per Seg.	1.8	2.2	30	60	25	100
	Per DP	1.8	2.2	30	60	25	100
Orange	Per Seg.	2.1	2.5	30	80	30	100
	Per DP	2.1	2.5	30	80	30	100
Yellow	Per Seg.	2.1	2.5	30	80	30	100
	Per DP	2.1	2.5	30	80	30	100
Green	Per Seg.	2.2	2.5	30	80	30	100
	Per DP	2.2	2.5	30	80	30	100
Ultra Red	Per Seg.	1.9	2.6	30	60	30	100
	Per DP	1.9	2.6	30	60	30	100
Ultra Orange	Per Seg.	2	2.6	30	65	30	100
	Per DP	2	2.6	30	65	30	100
Ultra Amber	Per Seg.	2	2.6	30	65	30	100
	Per DP	2	2.6	30	65	30	100
Ultra Yellow	Per Seg.	2	2.6	30	65	30	100
	Per DP	2	2.6	30	65	30	100
Ultra Green	Per Seg.	2.1	2.6	30	75	30	100
	Per DP	2.1	2.6	30	75	30	100
Pure Green	Per Seg.	3.5	4	30	110	30	100
	Per DP	3.5	4	30	110	30	100
Ultra Blue	Per Seg.	3.5	4	30	120	30	100
	Per DP	3.5	4	30	120	30	100
Ultra White	Per Seg.	3.5	4	30	120	30	100
	Per DP	3.5	4	30	120	30	100
Unit:	\	V	V	uA	mW	mA	mA

Notes:

1. At Ta = 25 °C.

2. Peak forward current at 1/10 Duty Cycle, 0.1ms Pulse.