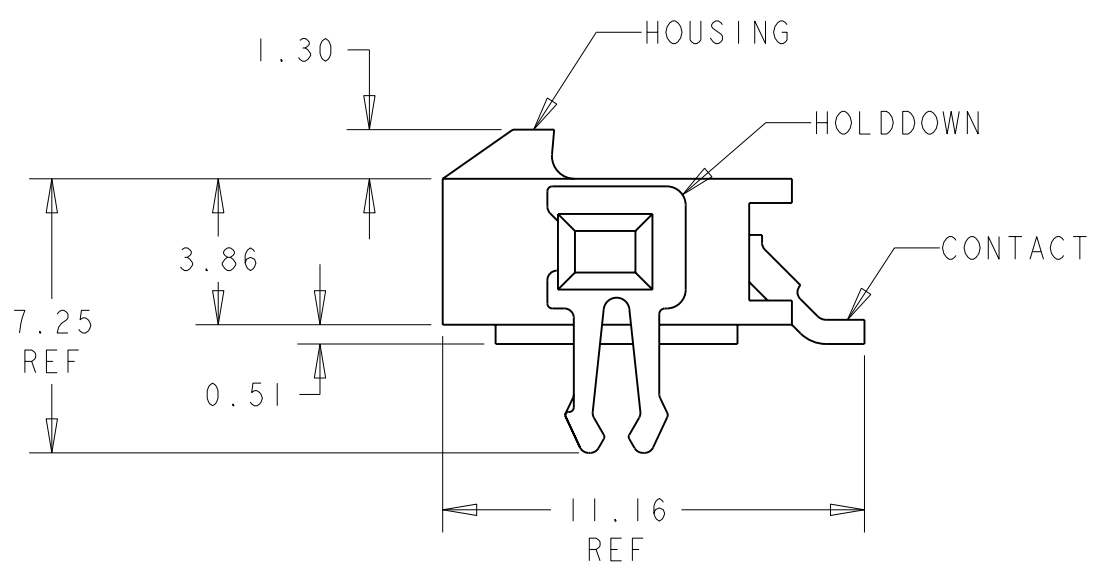
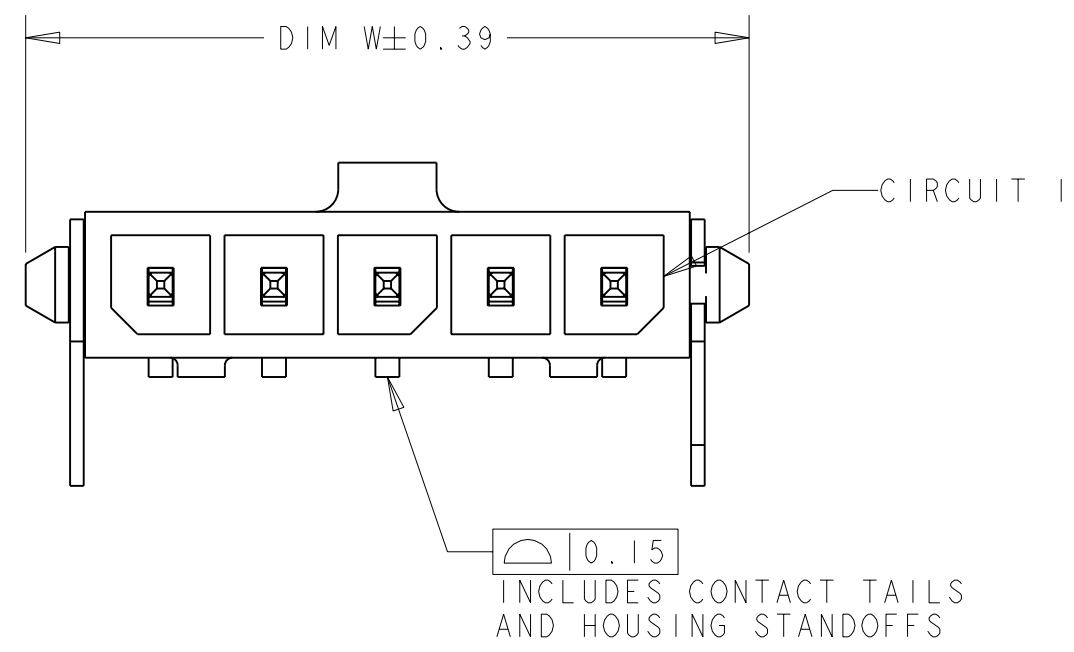
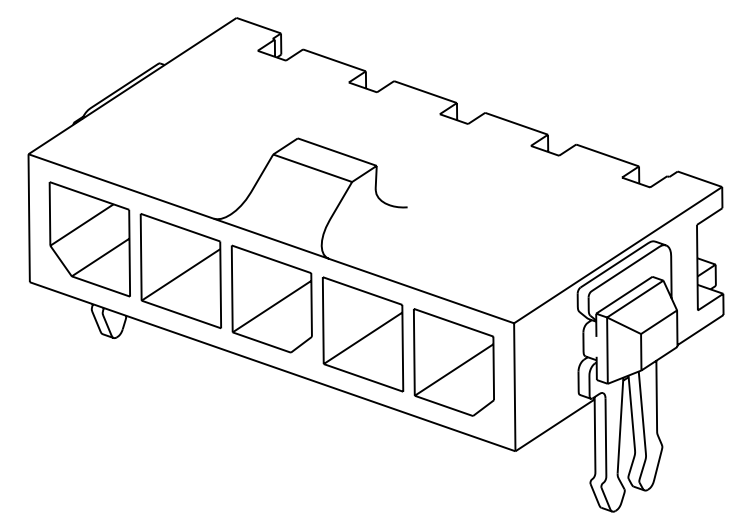
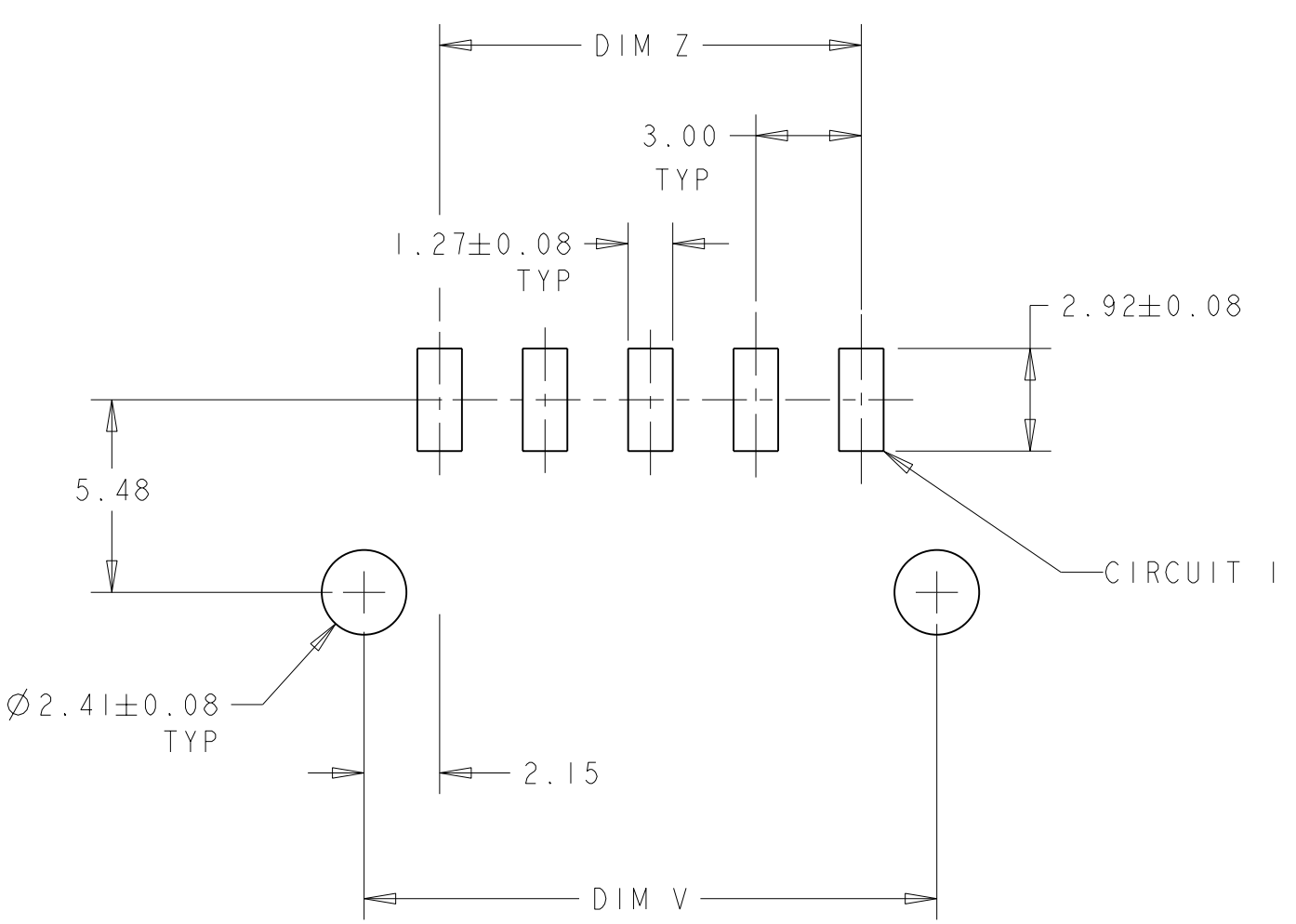
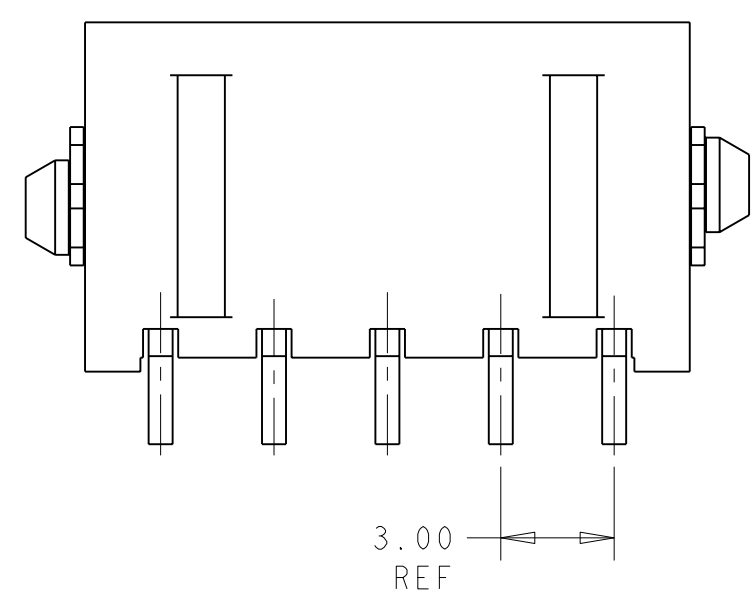


LOC	DIST	REVISIONS					
CM	00	P	LTR	DESCRIPTION	DATE	DWN	APVD
		B		REVISED PER 0G3B-0205-05	25-APR-05	KW	CJ

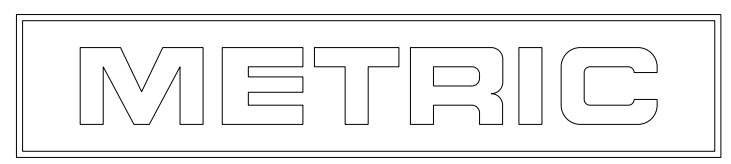


- 1 MATERIAL: CONTACTS - BRASS
HOUSING - UL 94V-0 RATED HIGH TEMP NYLON, COLOR BLACK.
HOLDDOWNS: - PHOSPHOR BRONZE.
- 2 PLATING: CONTACTS - 0.38µm MINIMUM GOLD ON MATING END,
2.54µm MINIMUM TIN LEAD ON SOLDER TAILS, BOTH OVER
1.27µm MINIMUM NICKEL.
HOLDDOWNS: 2.54µm MINIMUM TIN-LEAD OVER 1.27µm MINIMUM NICKEL.
- 4 RECOMMENDED PC BOARD THICKNESS OF 1.57.
- 5 PLATING: CONTACTS - 0.38µm MINIMUM GOLD ON MATING END,
2.54µm MINIMUM MATTE TIN ON SOLDER TAILS, BOTH OVER
1.27µm MINIMUM NICKEL.
HOLDDOWNS: 2.54µm MINIMUM MATTE TIN OVER 1.27µm MINIMUM NICKEL.



FINISH	DIM Z	DIM V	DIM W	NO. OF POSN	PART NUMBER
5	33.00	37.43	40.00	12	3-1445090-2
5	30.00	34.43	37.00	11	3-1445090-1
5	27.00	31.43	34.00	10	3-1445090-0
5	24.00	28.43	31.00	9	2-1445090-9
5	21.00	25.43	28.00	8	2-1445090-8
5	18.00	22.43	25.00	7	2-1445090-7
5	15.00	19.43	22.00	6	2-1445090-6
5	12.00	16.43	19.00	5	2-1445090-5
5	9.00	13.43	16.00	4	2-1445090-4
5	6.00	10.43	13.00	3	2-1445090-3
5	3.00	7.43	10.00	2	2-1445090-2
2	33.00	37.43	40.00	12	1-1445090-2
2	30.00	34.43	37.00	11	1-1445090-1
2	27.00	31.43	34.00	10	1-1445090-0
2	24.00	28.43	31.00	9	1445090-9
2	21.00	25.43	28.00	8	1445090-8
2	18.00	22.43	25.00	7	1445090-7
2	15.00	19.43	22.00	6	1445090-6
2	12.00	16.43	19.00	5	1445090-5
2	9.00	13.43	16.00	4	1445090-4
2	6.00	10.43	13.00	3	1445090-3
2	3.00	7.43	10.00	2	1445090-2

PCB LAYOUT COMPONENT SIDE 4



THIS DRAWING IS A CONTROLLED DOCUMENT FOR AMP INCORPORATED. IT IS SUBJECT TO CHANGE AND THE CONTROLLING ENGINEERING ORGANIZATION SHOULD BE CONTACTED FOR THE LATEST REVISION.		DWN J. ROOT 09OCT2000	AMP Tyco Electronics Harrisburg, PA 17105-3608
DIMENSIONS: mm		CHR K. WHITAKER 17-APR-2001	
TOLERANCES UNLESS OTHERWISE SPECIFIED: 0 PLC ± 1 PLC ± 2 PLC ±0.13 3 PLC ± 4 PLC ±		APVD C. JONES 17-APR-2001	NAME RIGHT ANGLE SURF MOUNT HEADER ASSY, 0.38 MIC GOLD CONTACTS, W/THRU HOLE HOLDDOWNS, SGL ROW, MICRO MATE-N-LOK™
MATERIAL -		PRODUCT SPEC -	
ANGLES ±		APPLICATION SPEC -	SIZE A2
FINISH -		WEIGHT -	CAGE CODE 00779
SEE TABLE		CUSTOMER DRAWING	DRAWING NO. C=1445090
			SCALE 5:1 SHEET 1 OF 1 REV B