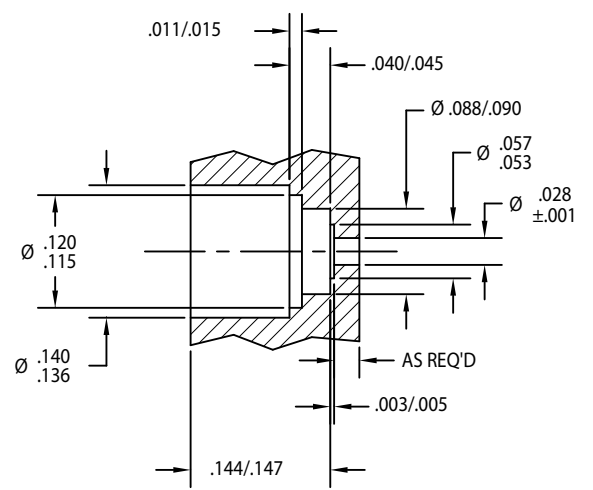
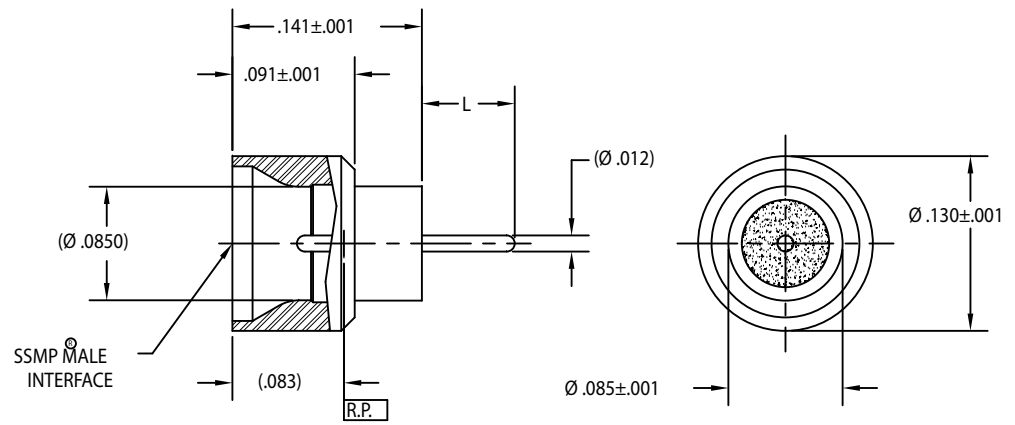


P/N	L
-1CC	.030
-2CC	.035
-3CC	.040
-4CC	.045
-5CC	.050
-6CC	.055
-7CC	.060
-8CC	.065
-9CC	.070
-10CC	.075
-11CC	.080
-12CC	.085
-13CC	.090
-14CC	.095
-15CC	.100
-16CC	.105
-17CC	.110
-18CC	.115
-19CC	.120
-20CC	.125
-21CC	.130
-22CC	.135



RECOMMENDED MOUNTING HOLE
Scale 10:1

TITLE			
SSMP MALE, DETENT, STRAIGHT SOLDER IN HERMETIC			
SUB-DIRECTORY FILE NAME			
SCALE	14:1	SHEET	of 1
SIZE	C	DRAWING NO.	P154
REV.			1
			C