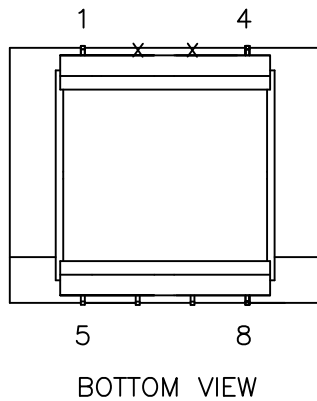
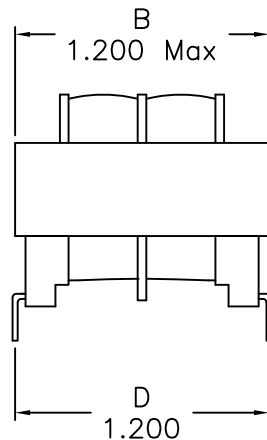
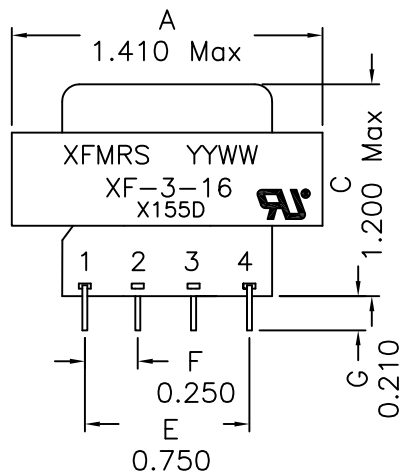
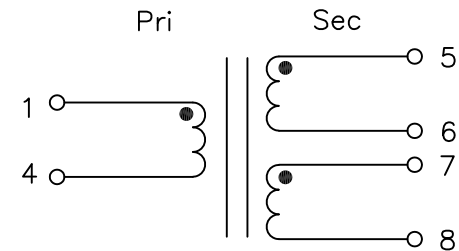


1. Mechanical Dimensions:



2. Schematic:



3. Electrical Specifications:

Primary: Pins 1-4 115V 50/60Hz

Ex I: Pins 1-4 30mA Max 120V 60Hz or 100V 50Hz

Parallel Sec: 8.0V @ 0.3Aac

Series Sec: 16.0V @ 0.150Aac

DC Res.: Pins 1-4 370 Ohms±15%

DC Res.: Pins 5-6 5.350 Ohms±15%

DC Res.: Pins 7-8 5.350 Ohms±15%

HIPOT: 2500Vac Pri-Sec, Wdgs-Core

Notes:

1. Solderability: Leads shall meet MIL-STD-202G, Method 208H for solderability.
2. Flammability: UL94V-0
3. ASTM oxygen index: > 28%
4. Insulation System: Class F 155°C. UL file E151556
5. Operating Temperature Range: All listed parameters are to be within tolerance from -40°C to +85°C
6. Storage Temperature Range: -55°C to +125°C
7. Aqueous wash compatible
8. Electrical and mechanical specifications 100% tested
9. RoHS Compliant Component
10. UL506 Recognized, file #E238841
11. Remove unused pins 2 & 3

DOC. REV A/1

XFMRS Inc www.XFMRS.com	Title: Power Xfmr		
	UNLESS OTHERWISE SPECIFIED TOLERANCES: .xxx±0.010 Dimensions in INCH	P/N: XF-3-16	REV. A
Scale 1.5:1 SHT 1 OF 1	DWN. Yuan	Aug-31-15	
	CHK. YK Liao	Aug-31-15	
	APP. GL	Aug-31-15	