

# IES-1240

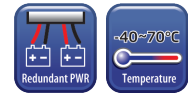


IES-1240

## ➤ Industrial 24-port unmanaged Ethernet switch with 24x10/100Base-T(X)

### Features

- RJ-45 ports support Auto MDI/MDI-X switching function
- Provides Store-and-Forward switching architecture
- Provides 4.8Gbps Back-plane (Switching Fabric)
- Warning system by relay output
- Rigid IP-30 housing design
- DIN-Rail and wall mounting enabled

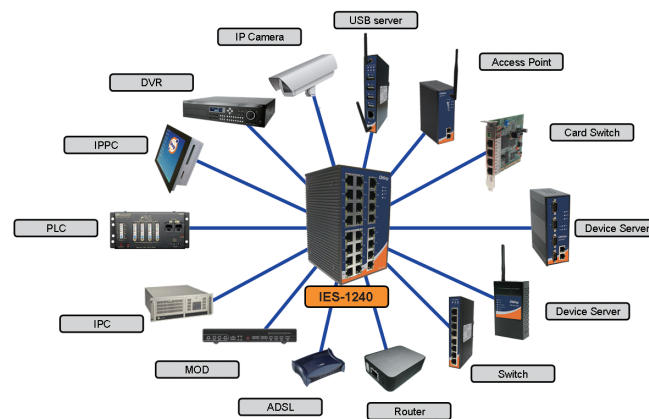


### Introduction

IES-1240 is the unmanaged Ethernet switch with 24x10/100Base-T(X) port. IES-1240 support redundant power inputs, relay output alarm, and surge protection. The wide operating temperature range from  $-40^{\circ}\text{C}$  to  $70^{\circ}\text{C}$  can satisfy most of operating environments. Especially, IES-1240 features dual different redundant DC power inputs, two DC power inputs are on terminal block to avoid any unexpected fails on power on. Thus, IES-1240 could guarantee a non-stop operation. Therefore, the switch is one of the most reliable choice for highly-unmanaged Ethernet application.

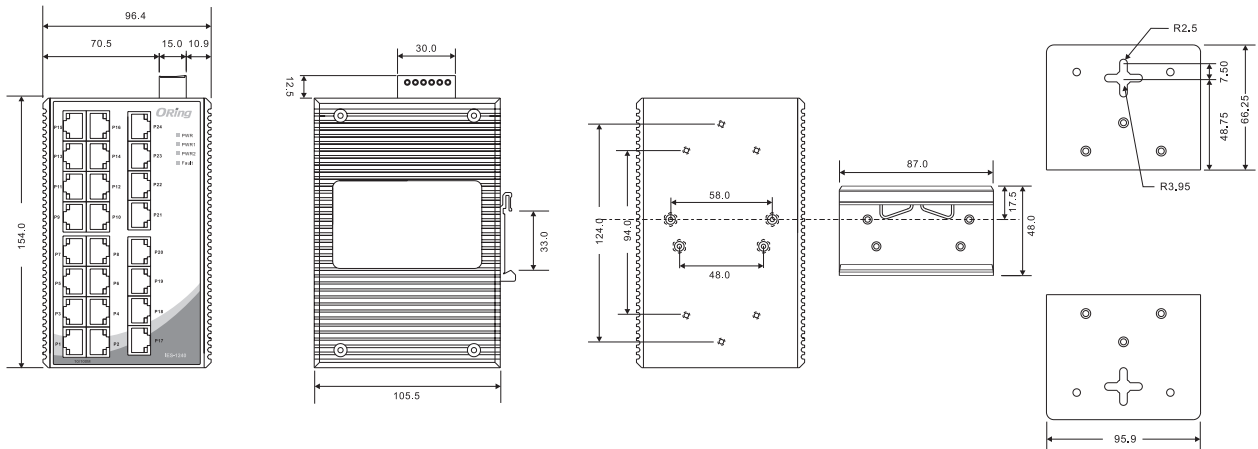
### Practical Operation

IES-1240 is usually deployed for connecting several Ethernet devices, such like Ethernet I/O, IP-Camera, etc. The designs of rugged housing and wide operating temperature, range from  $-40 \sim 70^{\circ}\text{C}$ , makes IES-1240 reliably in any kinds of industrial applications.



Connections of Ethernet devices

## Dimensions



(Unit=mm)

## Specifications

ORing Switch Model	IES-1240
<b>Physical Ports</b>	
10/100 Base-T(X) Ports in RJ45 Auto MDI/MDIX	24
<b>Technology</b>	
Ethernet Standards	IEEE 802.3 for 10Base-T IEEE 802.3u for 100Base-TX IEEE 802.3x for Flow control
MAC Table	8192 MAC addresses
Priority Queues	4
Processing	Store-and-Forward
Switch Properties	Switching latency: 9 μs Switching bandwidth: 4.8Gbps
<b>LED Indicators</b>	
Power Indicator	Green : Power LED x 3
Fault Indicator	Amber : Indicates power failure occurred
10/100Base-T(X) RJ45 Port Indicator	Green for port Link/Act. Amber for Duplex/Collision
<b>Fault Contact</b>	
Relay	Relay output to carry capacity of 1A at 24VDC
<b>Power</b>	
Redundant Input Power	Dual DC inputs. 12 ~ 48VDC on 6-pin terminal block
Power Consumption (Typ.)	9.6 Watts
Overload Current Protection	Present
Reverse Polarity Protection	Present on terminal block

Physical Characteristics	
Enclosure	IP-30
Dimensions (W x D x H)	96.4(W)x108.5(D)x154(H) mm (3.8 x 4.27 x 6.06 inch)
Weight (g)	1052 g
Environmental	
Storage Temperature	-40 to 85°C (-40 to 185°F)
Operating Temperature	-40 to 70°C (-40 to 158°F)
Operating Humidity	5% to 95% Non-condensing
Regulatory Approvals	
EMI	FCC Part 15, CISPR (EN55022) class A
EMS	EN61000-4-2 (ESD), EN61000-4-3 (RS), EN61000-4-4 (EFT), EN61000-4-5 (Surge), EN61000-4-6 (CS), EN61000-4-8, EN61000-4-11
Shock	IEC60068-2-27
Free Fall	IEC60068-2-32
Vibration	IEC60068-2-6
Safety	EN60950-1
Warranty	5 years

### Ordering Information

IES-1 **AA** **B**



Code Definition	10/100Base-T(X) Port Number	Additional Port Number
<b>Option</b>	- <b>24</b> : 24 ports	- <b>0</b> : 0 ports

Available Model	Model Name	Description
	IES-1240	Industrial 24-port unmanaged Ethernet switch with 24x10/100Base-T(X)

**Packing List**

- IES-1240
- DIN-Rail Kit
- Wall-mount Kit
- Quick Installation Guide

**Optional Accessories (Can be purchased separately)**

- DR-45 series : 45 Watts DIN-Rail power supply
- DR-75 series : 75 Watts DIN-Rail power supply
- DR-120 series : 120 Watts DIN-Rail power supply
- SDR-240-48, 240W DIN-Rail power supply
- SDR-480-48, 480W DIN-Rail power supply