

PRODUCT NO.

61729

PRODUCT NUMBER CODE

61729- X 0 X X P S LF

BASE PRODUCT NUMBER

HOUSING COLOR OPTION

0 - WHITE
1 - BLACK

SHIELD OPTION

1 - FULL BACK
2 - PARTIAL BACK
S - FULL BACK (SPECIAL MATERIAL FOR 12,000 DURABILITY CYCLES)
P - PARTIAL BACK (SPECIAL MATERIAL FOR 12,000 DURABILITY CYCLES)

TERMINAL PLATING OPTION

0 - 50u" NI UNDERPLATED
30U" GXT CONTACT AREA
100u" PURE TIN TAIL AREA
1 - 50u" NI UNDERPLATED
30U" GOLD CONTACT AREA
100u" PURE TIN TAIL AREA

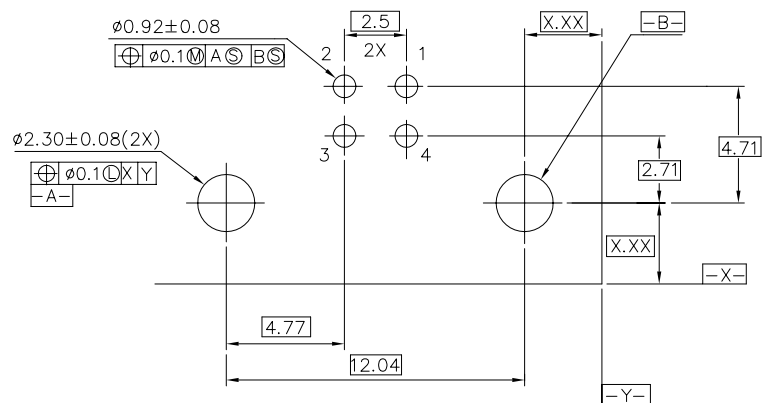
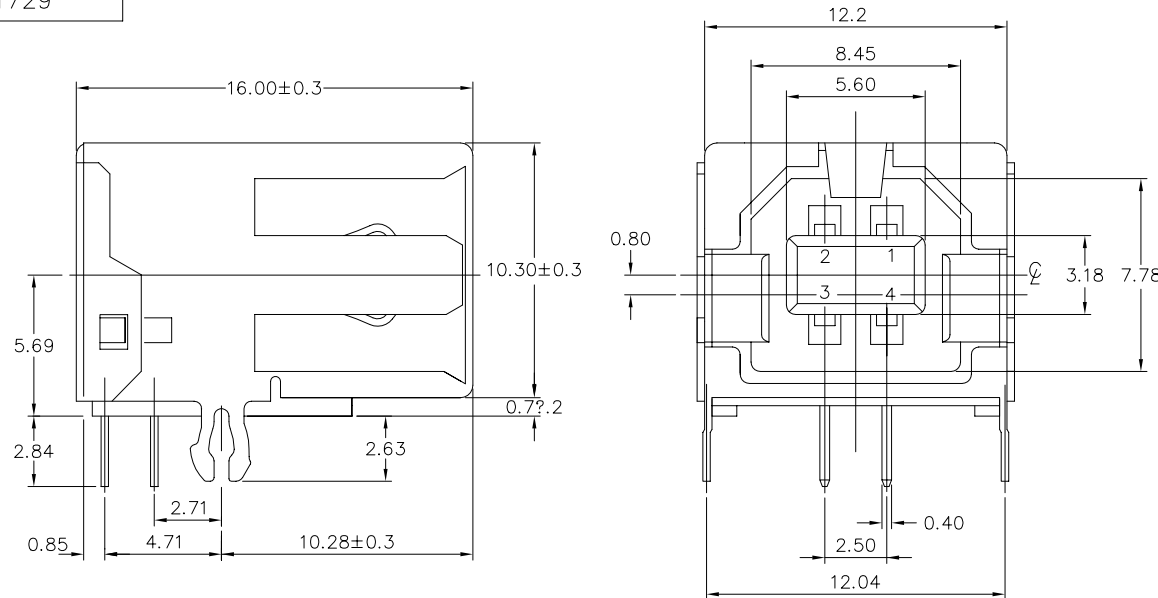
PACKAGING OPTION

B-TUBES
R-TAPE & REEL

DATE CODE OPTION

ONLY FOR PANASONIC

LEAD FREE OPTION

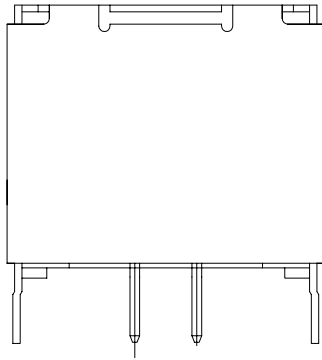


P.C. BOARD LAYOUT

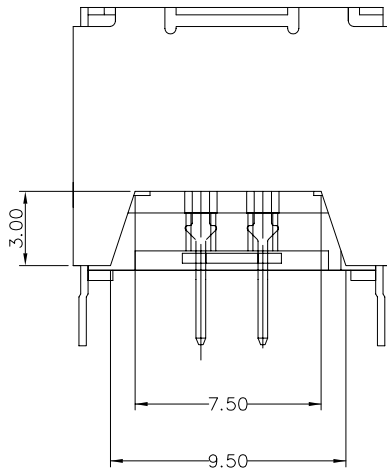
mat'l. code				tolerances unless otherwise specified		CUSTOMER COPY		FCJ			
ltr	ecn no	dr	date	linear	.0 ± 0.30	projection	title	www.fciconnect.com			
S	N05-0242	PH	08/22/05		.00 ± 0.20			USB RECEPTACLE B TYPE			
T	N06-0103	HB	04/15/06		.000 ± 0.10						
U	N08-0238	R.B	2008/11/03	angles	± 2°	MM/INCH ← → scale 4 : 1	product family size dwg no	USB			
V	N08-0264	R.B	2008/12/08	dr	SHIRLEY HSU 03/03/97			A3	61729	code	
				enr	R Y LIU 03/03/97					sheet	
				chr	R Y LIU 03/03/97					1 of 2	
				appd	JENN TSAO 03/03/97						
sheet index	revision sheet										

PRODUCT NO.

61729




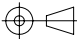
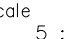
TYPE "1" FULL BACK



TYPE "2" PARTIAL BACK

NOTES:

- MATERIAL:
SHIELD & CONTACTS: COPPER ALLOY
HOUSING: UL 94V-0 THERMOPLASTIC. COLOR: SEE PRODUCT NUMBER CODE.
- PLATING: SEE PRODUCT NUMBER CODE.
SHIELD: BRIGHT TIN
NICKEL UNDERPLATE.
- DATUMS & BASIC DIMENSIONS TO BE DETERMINED BY CUSTOMER
- RECOMMENDED BOARD THICKNESS IS 1.57 mm (.062)
- PACKING STANDARD GS-14-920 WILL BE APPLIED FOR LEAD FREE P/N'S
- FOR LEAD FREE P/N, THE PRODUCT MEET EUROPEAN UNION DIRECTIVES AND OTHER COUNTRY REGULATION AS DESCRIBED IN GS-22-008
- FOR LEAD FREE P/N'S, THE HOUSING WILL WITHSTAND EXPOSURE TO 260°C PEAK TEMPERATURE FOR 40 SECONDS IN A CONVECTION, INFRO-RED OR VAPOR PHASE REFLOW OVEN.
- THE PART CAN BE USED FOR PIP PROCESS.

mat'l. code				tolerances unless otherwise specified		CUSTOMER COPY		 www.fciconnect.com		
ltr	ecn no	dr	date	linear	.0 ± 0.20	projection	title			
v					.00 ± 0.10			USB RECEPTACLE B TYPE		
					.000 ± 0.05			product family USB		
				angles	± 2°	MM/INCH	code			
				dr	SHIRLEY HSU 03/03/97	 5 : 1	size		sheet	
				enr	R Y LIU 03/03/97		product family USB		2 of 2	
				chr	R Y LIU 03/03/97		size			
				appd	JENN TSAO 03/03/97		61729			
sheet	revision									
index	sheet									

All rights are reserved. Reproduction or use in third parties is not permitted without written authority from the proprietor.
 Copyright © 2008 FCJ ELECTRONICS BY

All rights are reserved. Reproduction or use in third parties is not permitted without written authority from the proprietor.
 Copyright © 2008 FCJ ELECTRONICS BY

Tous droits sont réservés. Toute réimpression ou communication à des tiers sans autorisation écrite du propriétaire.
 Copyright © 2008 FCJ ELECTRONICS BY