

PLEASE CHECK WWW.MOLEX.COM FOR LATEST PART INFORMATION

Part Number: [0191270089](#)
Status: **Active**
Description: Avikrimp™ Flanged Spade Tongue Terminal for 10-12 AWG Wire, Stud Size 10

Documents:

[Drawing \(PDF\)](#) [RoHS Certificate of Compliance \(PDF\)](#)

Agency Certification

CSA LR18689
 UL E32244

General

Product Family Ring and Spade Terminals
 Series [19127](#)
 Crimp Quality Equipment Yes
 Mil-Spec N/A
 Product Name Avikrimp™
 Type Spade

Physical

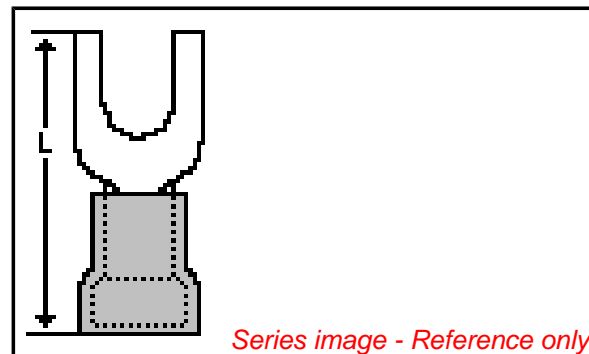
Barrel Type Closed
 Flammability 94V-0
 Insulation Nylon (PA)
 Material - Plating Mating Tin
 Packaging Type Bag
 Stud Size 10 (M5)
 Wire Insulation Diameter 5.72mm (.225") max.
 Wire Size AWG 10, 12
 Wire Size mm² 4.00 - 6.00

Material Info

Old Part Number C-817-10

Reference - Drawing Numbers

Sales Drawing SD-19127-003



EU RoHS

**ELV and RoHS
 Compliant**
REACH SVHC
 Not Reviewed
**Halogen-Free
 Status**
Not Reviewed

China RoHS



**Need more information on product
 environmental compliance?**

Email productcompliance@molex.com
 For a multiple part number RoHS Certificate of
 Compliance, [click here](#)

Please visit the [Contact Us](#) section for any
 non-product compliance questions.

Search Parts in this Series

[19127Series](#)

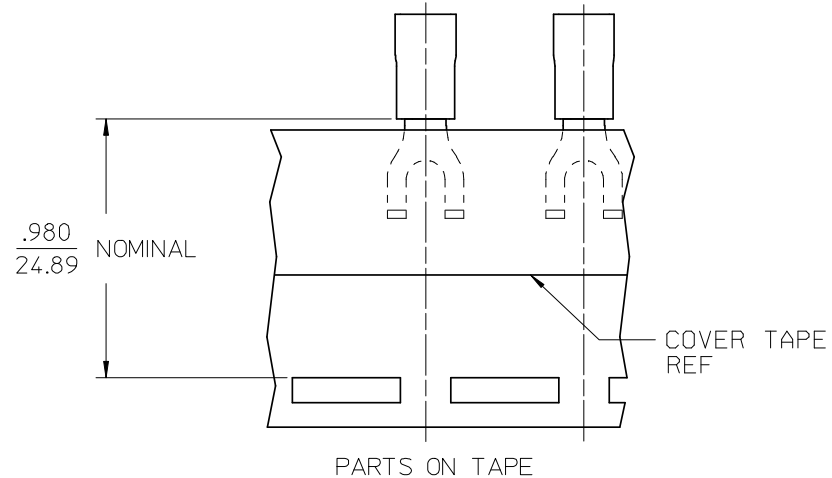
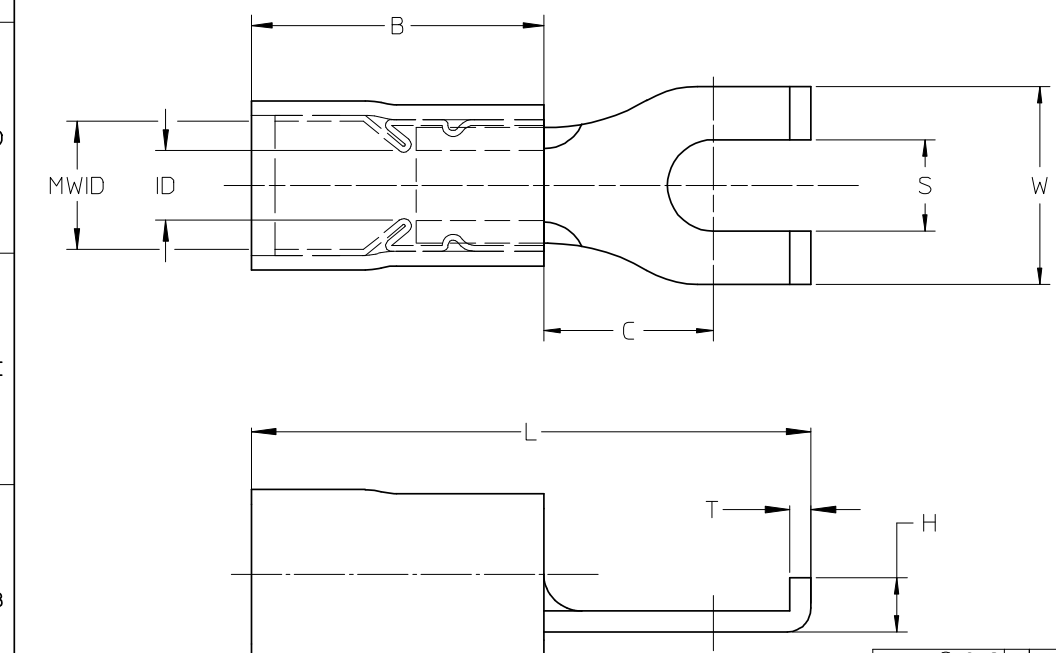
Application Tooling | [FAQ](#)

*Tooling specifications and manuals are
 found by selecting the products below.
 Crimp Height Specifications are then
 contained in the Application Tooling
 Specification document.*

Global

Description	Product #
Hand Crimp Tool	0640010100
Hand Crimp Tool	0640011500
Crimp Head for the AT-200™ Pneumatic Hand Tool	0640050100

LOOSE PIECE		TAPE MOUNTED		DIMENSIONS										FINISH
MATERIAL NUMBER	ENGINEERING NUMBER	MATERIAL NUMBER	ENGINEERING NUMBER	STUD SIZE	S ±.005	W MAX	C MIN	ID MIN	MWID	B REF	L MAX	H REF	T REF	INSULATION COLOR
191270007	AA-815-06	191270009	AA-815-06T	6	.146/3.71	.301/7.6	.207/5.3	.054/1.37	.138/3.51	.400/10.16	.781/19.84	.08/2.0	.031/0.79	RED
191270010	AA-815-08	191270011	AA-815-08T	8	.173/4.39	.301/7.6	.207/5.3	.054/1.37	.138/3.51	.400/10.16	.781/19.84	.08/2.0	.031/0.79	RED
191270012	AA-815-10	191270013	AA-815-10T	10	.198/5.03	.301/7.6	.207/5.3	.054/1.37	.138/3.51	.400/10.16	.781/19.84	.08/2.0	.031/0.79	RED
191270039	BB-816-06	191270041	BB-816-06T	6	.146/3.71	.301/7.6	.209/5.3	.081/2.06	.165/4.19	.400/10.16	.810/20.32	.08/2.0	.031/0.79	BLUE
191270042	BB-816-08	191270044	BB-816-08T	8	.173/4.39	.301/7.6	.209/5.3	.081/2.06	.165/4.19	.400/10.16	.810/20.32	.08/2.0	.031/0.79	BLUE
191270099	BB-816-10	191270045	BB-816-10T	10	.198/5.03	.301/7.6	.209/5.3	.081/2.06	.165/4.19	.400/10.16	.810/20.32	.08/2.0	.031/0.79	BLUE
191270083	C-817-06	191270084	C-817-06T	6	.146/3.71	.345/8.8 (A)	.270/6.85 (A)	.128/3.25	.225/5.71	.560/14.22	1.026/26.1 (A)	.10/2.5	.040/1.02	YELLOW
191270086	C-817-08	191270087	C-817-08T	8	.173/4.39	.385/9.8	.270/6.85 (A)	.128/3.25	.225/5.71	.560/14.22	1.026/26.1 (A)	.10/2.5	.040/1.02	YELLOW
191270089	C-817-10	191270090	C-817-10T	10	.209/5.3 (A)	.385/9.8	.270/6.85 (A)	.128/3.25	.225/5.71	.560/14.22	1.026/26.1 (A)	.10/2.5	.040/1.02	YELLOW



SALES DRAWING

- NOTES:
1. MATERIAL: COPPER
 2. PLATING: ELECTRO-TIN
 3. MWID = MAXIMUM WIRE INSULATION DIAMETER
 4. PART IS RoHS COMPLIANT

12-10 TO ALT DIE DIMS EC NO: ETC2008-0012 DRWN: RSTONE 2007/11/26 CHKD: MACNEIL 2007/11/26 APPR: MACNEIL 2007/12/05	QUALITY SYMBOLS	GENERAL TOLERANCES (UNLESS SPECIFIED)		DIMENSION STYLE		SCALE	DESIGN UNITS	THIRD ANGLE PROJECTION		
	▽=0 ∇=0	mm	INCH	IN/MM		4:1	INCH			
		4 PLACES ±---	±---	DRAWN BY		DATE	TITLE FLANGED SPADE TERMINAL, AVIKRIMP -800 SERIES			
		3 PLACES ±---	±.005	DLM		2003/08/25				
	2 PLACES ±0.13	±.01	CHECKED BY		DATE	MOLEX INCORPORATED				
	1 PLACE ±0.25	±---	HEB		2003/08/25					
	ANGULAR ±1/2°		APPROVED BY		DATE	MATERIAL NO. DOCUMENT NO. SHEET NO. SEE CHART SD-19127-003 1 OF 1				
	DRAFT WHERE APPLICABLE MUST REMAIN WITHIN DIMENSIONS		RWD		2003/08/25					
			SIZE		THIS DRAWING CONTAINS INFORMATION THAT IS PROPRIETARY TO MOLEX INCORPORATED AND SHOULD NOT BE USED WITHOUT WRITTEN PERMISSION					