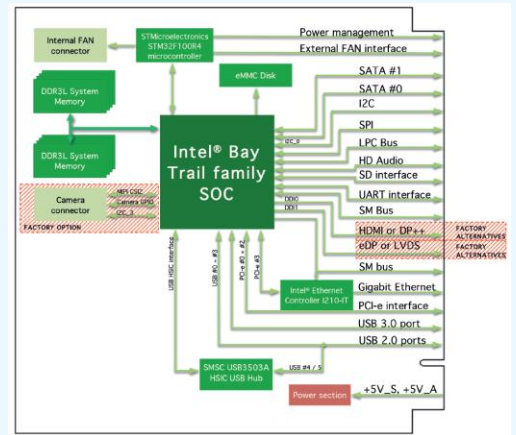


Product Name: Q7-A36



Highlights	<ul style="list-style-type: none"> eMMC drive on-board Available in Industrial temperature range Low power solution Camera Interface Integrated 64-bit memory controller
Part Number	Q7-A36
Main Fields of Application	<ul style="list-style-type: none"> HMI Industrial Automation and Control Portable Devices In-vehicle Infotainment Systems
Processor	<p>Intel® Atom™ E3845, Quad Core @1.91GHz, 2MB Cache, 10W TDP</p> <p>Intel® Atom™ E3827, Dual Core @1.75GHz, 1MB Cache, 8W TDP</p> <p>Intel® Atom™ E3826, Dual Core @1.46GHz, 1MB Cache, 7W TDP</p> <p>Intel® Atom™ E3825, Dual Core @1.33GHz, 1MB Cache, 6W TDP</p> <p>Intel® Atom™ E3815, Single Core @1.46GHz, 512KB Cache, 5W TDP</p> <p>Intel® Atom™ E3805, Dual Core @ 1.33GHz, 1MB Cache, 3W TDP</p> <p>Intel® Celeron® J1900, Quad Core @2.0GHz, 2MB Cache, 10W TDP</p> <p>Intel® Celeron® N2930, Quad Core @1.83GHz, 2MB Cache, 7.5W TDP</p> <p>Intel® Celeron® N2807, Dual Core @1.58GHz, 1MB Cache, 4.3W TDP</p>
Max Cores	4
Memory	<p>Soldered on-board DDR3L memory</p> <p>E3845, E3827, J1900, N2930: up to 8GB Dual-Channel DDR3L 1333MHz</p> <p>E3826: up to 8GB Dual-Channel DDR3L 1066MHz</p> <p>N2807: up to 4GB Single-Channel DDR3L 1333MHz</p> <p>E3825, E3815: up to 4GB Single-Channel DDR3L 1066MHz</p>
Graphics	<p>Integrated Intel® HD Graphics 4000 series controller (not for E3805)</p> <p>Dual independent display support</p> <p>HW decoding of H.264, MPEG2, MVC, VC1, VP8, MJPEG formats</p> <p>HW encoding of H.264, MPEG2 and MVC formats</p>
Video Interface	<p>HDMI or Multimode Display Port interface</p> <p>Embedded Display Port or 18 / 24 bit dual channel LVDS interface</p> <p>Optional Camera interface</p>
Video Resolution	<p>HDMI: Up to 1920x1080p@60Hz</p> <p>Display Port, eDP: Up to 2560x1600@60Hz</p> <p>Optional LVDS interface: Up to 1920x1200@60Hz</p>



Mass Storage	Up to 2 x external SATA channels SD interface Optional SATA Flash Drive soldered on-board
Networking	Gigabit Ethernet interface
USB	1 x USB 3.0 Host port 6 x USB 2.0 Host ports (one shared with USB 3.0 interface)
PCI-e	3 x PCI-e x1 lanes
Audio	HD Audio interface
Serial Ports	1 x Serial ports
Power Supply	+5VDC \pm 5%
Operating System	Microsoft® Windows 7 (32 / 64 bit) Microsoft® Windows 8.1 (32 / 64 bit) Microsoft® Windows 10 (32 / 64 bit) Microsoft® Windows 10 IoT Microsoft® Windows Embedded Standard 7 (32 / 64 bit) Microsoft® Windows Embedded Standard 8 (32 / 64 bit) Microsoft® Windows Embedded Compact 7 Linux (32 / 64 bit) Yocto
Operating Temperature	0°C ÷ +60°C (Commercial version) -40°C ÷ +85°C (Industrial version)
Dimensions	70 x 70 mm (2.76" x 2.76")