

GSD

KC-79-150

REVISIONS

ISSUE	CHANGES
3	CN 20471 D LI 04/30/80
4	CN 38547 D REDRAWN TML 04/29/02
5	CN 38655 C BDH 11/15/02

KC-79-150S

SCALE 4:1

APPROX SURFACE AREA

USED ON

REF: ECHO SCIENCES P.O. No. J-23182

RCPT, ISO GRD, BNC

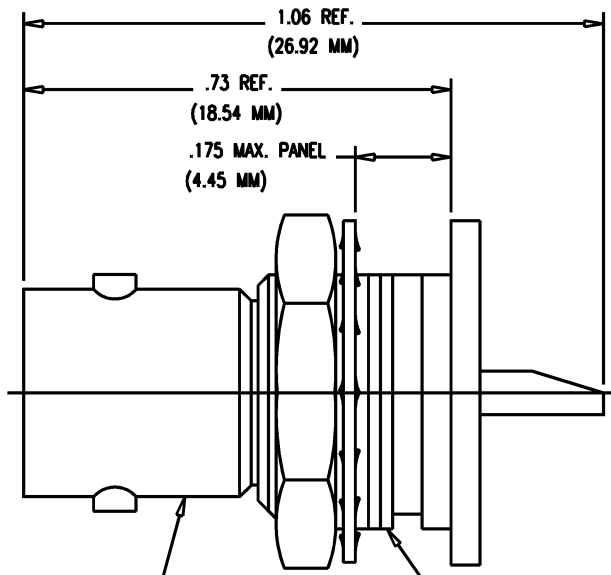
DRAWN CT DATE 06/04/85

DESIGN DATE

APPR. MJB DATE 06/06/85

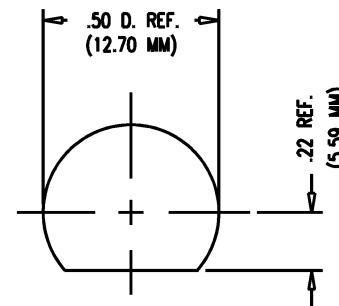
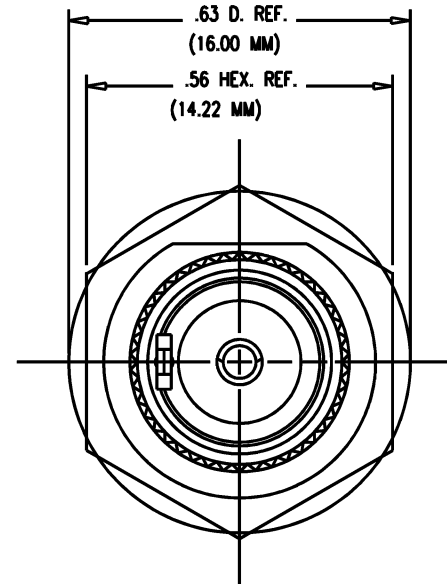
KINGS
ELECTRONICS CO., INC.
ROCK HILL, SOUTH CAROLINA 29730

KC-79-150



STAMP: KINGS KC-79-150
YRWK (DATE CODE)

1/2-28NEF-2 TH'D



MOUNTING HOLE

NOTES:

1. MATERIALS:

INSULATORS: TEFLON, ASTM-D-1457
 LOCKWASHER: PHOS. BRONZE, QQ-B-750
 CENTER CONTACT } BER. COP., ASTM-B-196
 LUG }
 ALL OTHER PARTS: BRASS, ASTM-B16

2. FINISHES:

CENTER CONTACT: SILVER PLATE PER QQ-S-365
 ALL OTHER METAL PARTS: KINGS TARNISH RESISTANT FINISH (TR-5)

3. ELECTRICAL CHARACTERISTICS:

NOMINAL IMPEDANCE: 50 OHMS
 VOLTAGE RATING: 500 VRMS
 FREQUENCY RANGE: DC TO 4 GHz

GSD