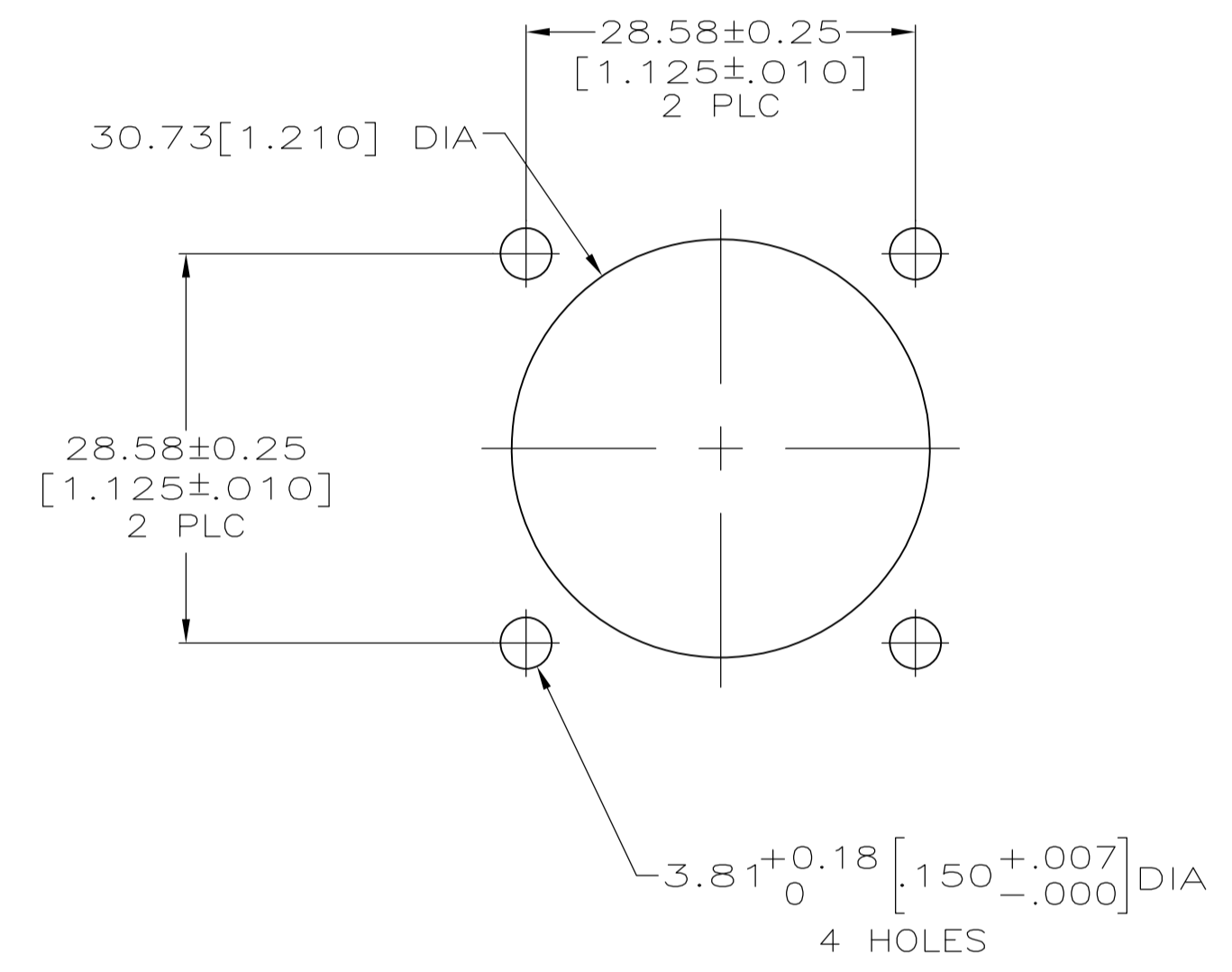
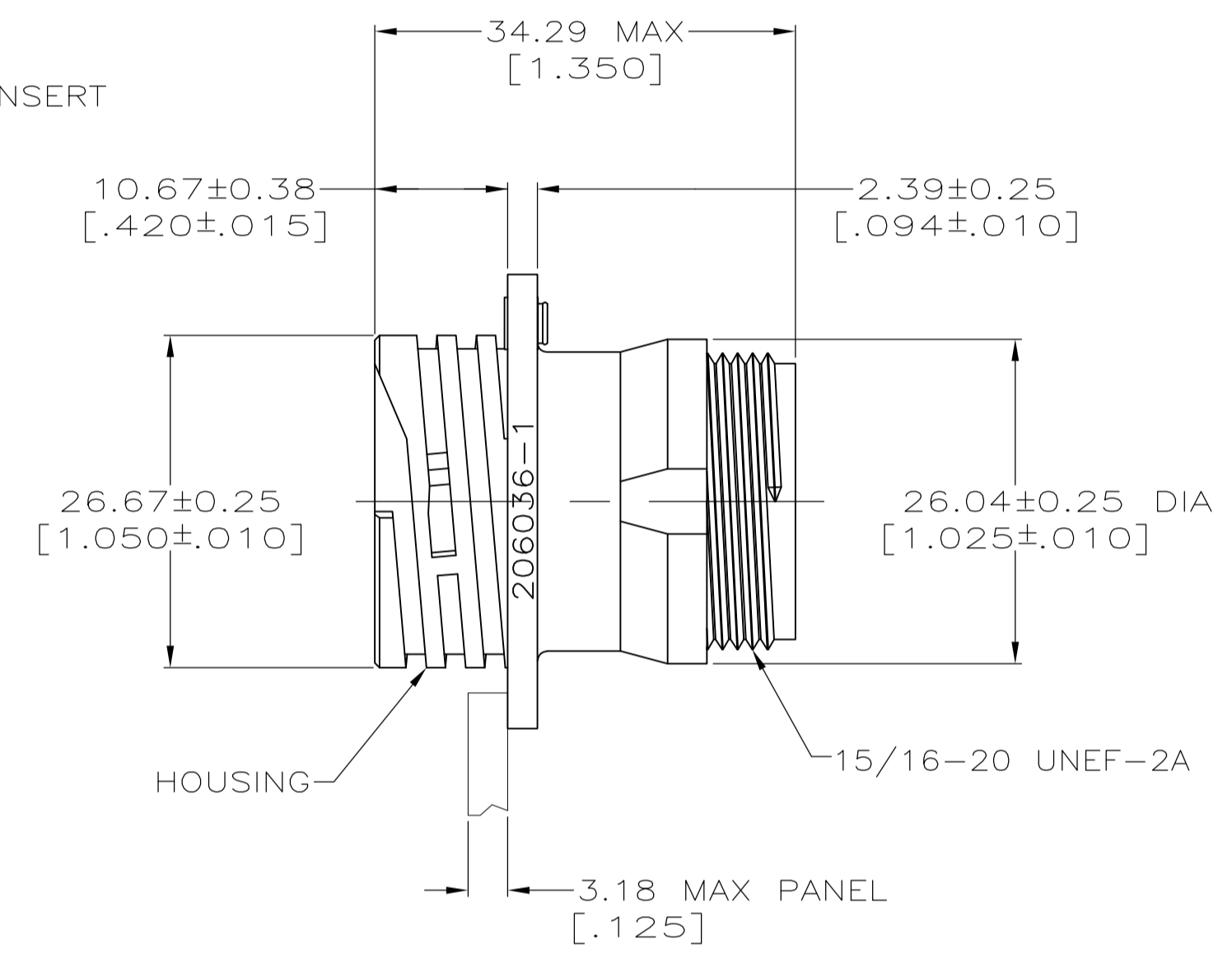
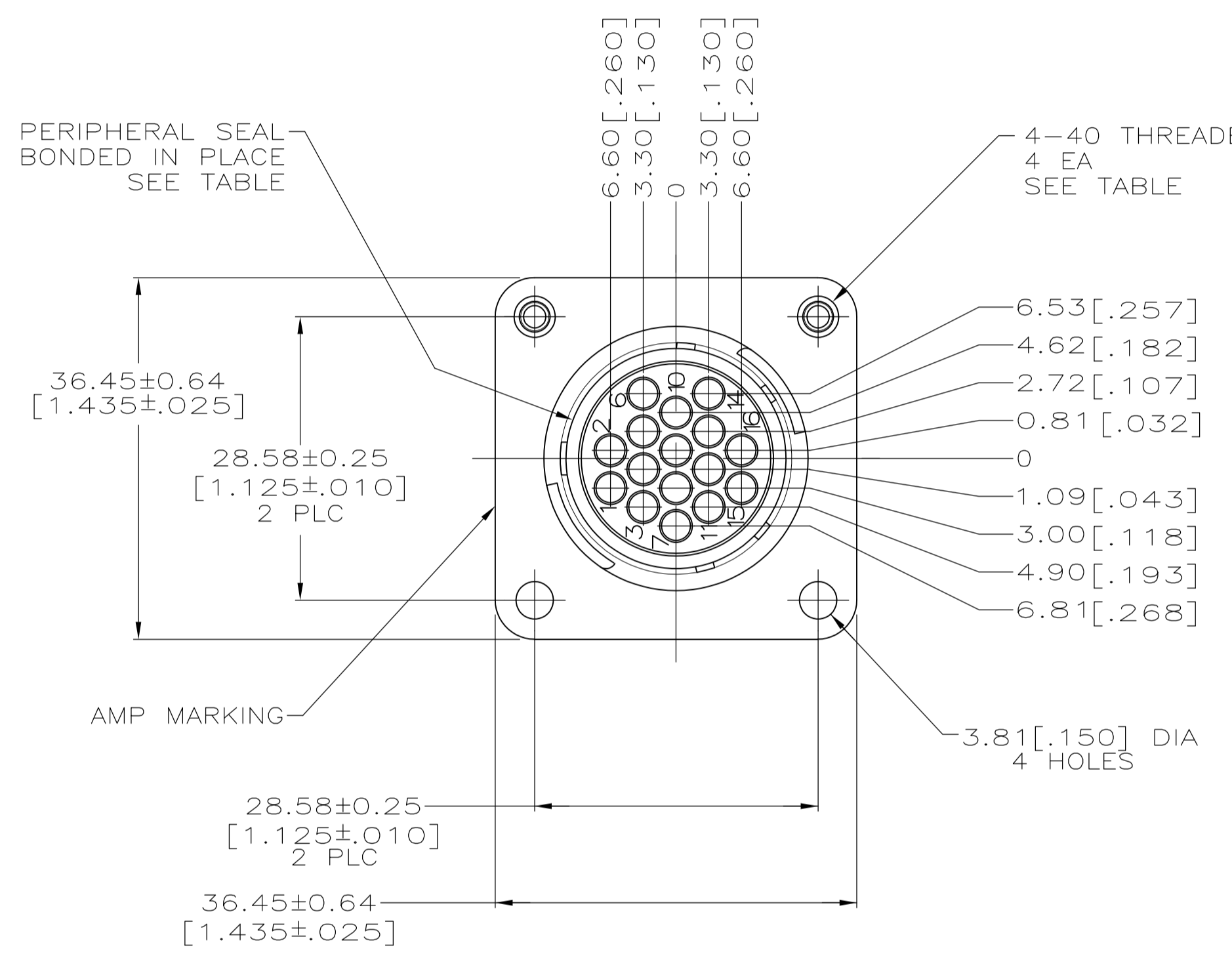


- △ HOUSING: NYLON, BLACK.
PERIPHERAL SEAL: ELASTOMER, GRAY.
THREADED INSERTS: BRASS.
- 2. CAVITY IDENTIFICATION ON FRONT AND REAR FACE.
- 3. WILL ACCEPT (16) MULTIMATE PIN CONTACTS.
- △ HOUSING: NYLON, BLUE.
PERIPHERAL SEAL: ELASTOMER, GRAY.
THREADED INSERTS: BRASS.
- △ OBSOLETE PARTS: OBSOLETE CIS STREAMLINING PER D.RENAUD/D.SINISI



RECOMMENDED PANEL CUTOUT

△ OBSOLETE	△	STANDARD	NO	YES	206036-9
	△	STANDARD	YES	NO	206036-8
	△	SMALL PACK	NO	NO	206036-7
	△	STANDARD	NO	YES	206036-4
	△	STANDARD	NO	NO	206036-1
MATERIAL	PACKAGING	4-40 THREADED INSERTS	PERIPHERAL SEAL	PART NUMBER	

THIS DRAWING IS A CONTROLLED DOCUMENT.

DIN D. GELTZ 07/27/93
CIR R. STONE 7-22-93

APVO A. FRANTUM 8-12-93

NAME RECEPTACLE HOUSING, STD SEX, SHELL SIZE 17, CPC

PRODUCT SPEC 108-10024

APPLICATION SPEC

SIZE A1 CAGE CODE DRAWING NO 00779C=206036 RESTRICTED TO

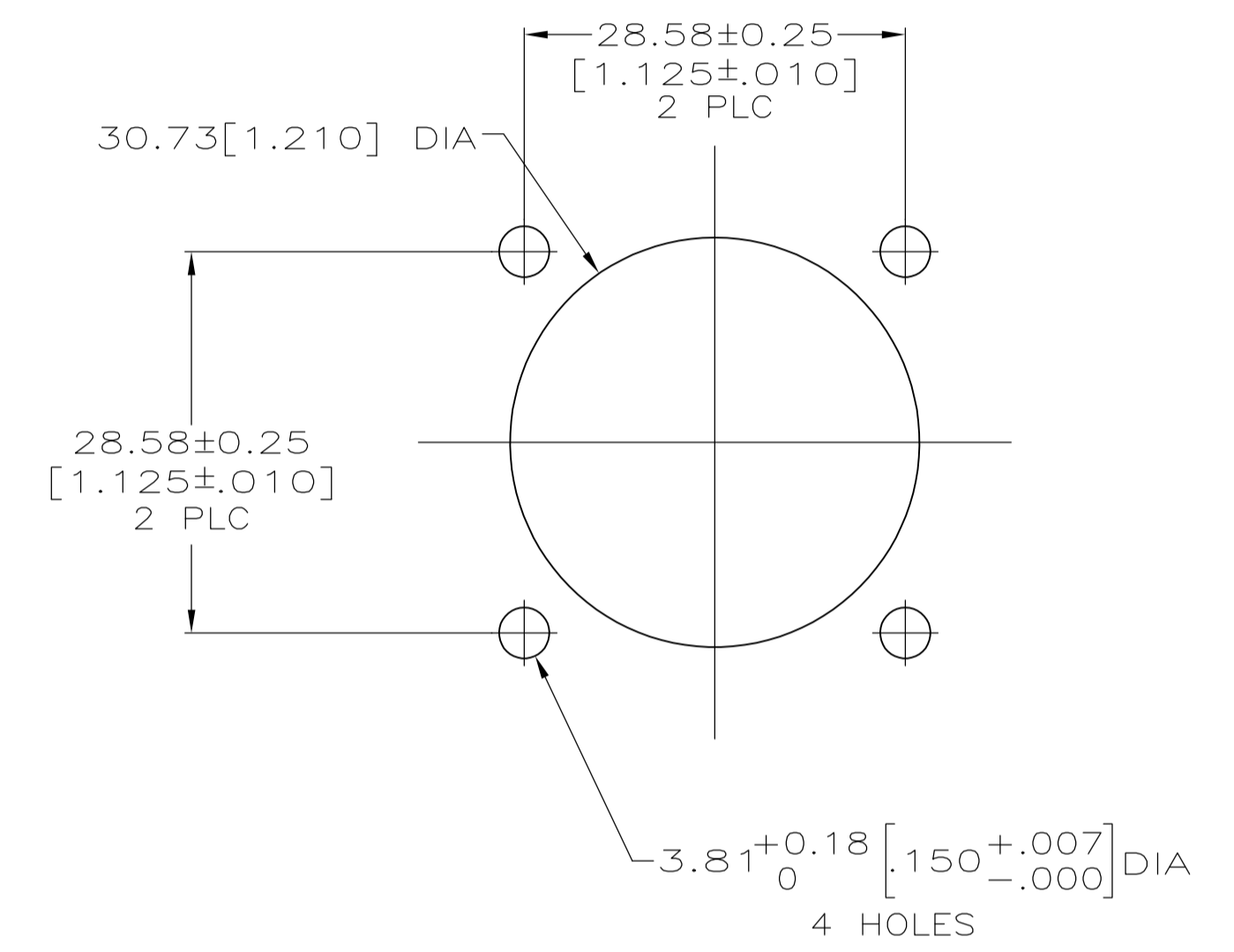
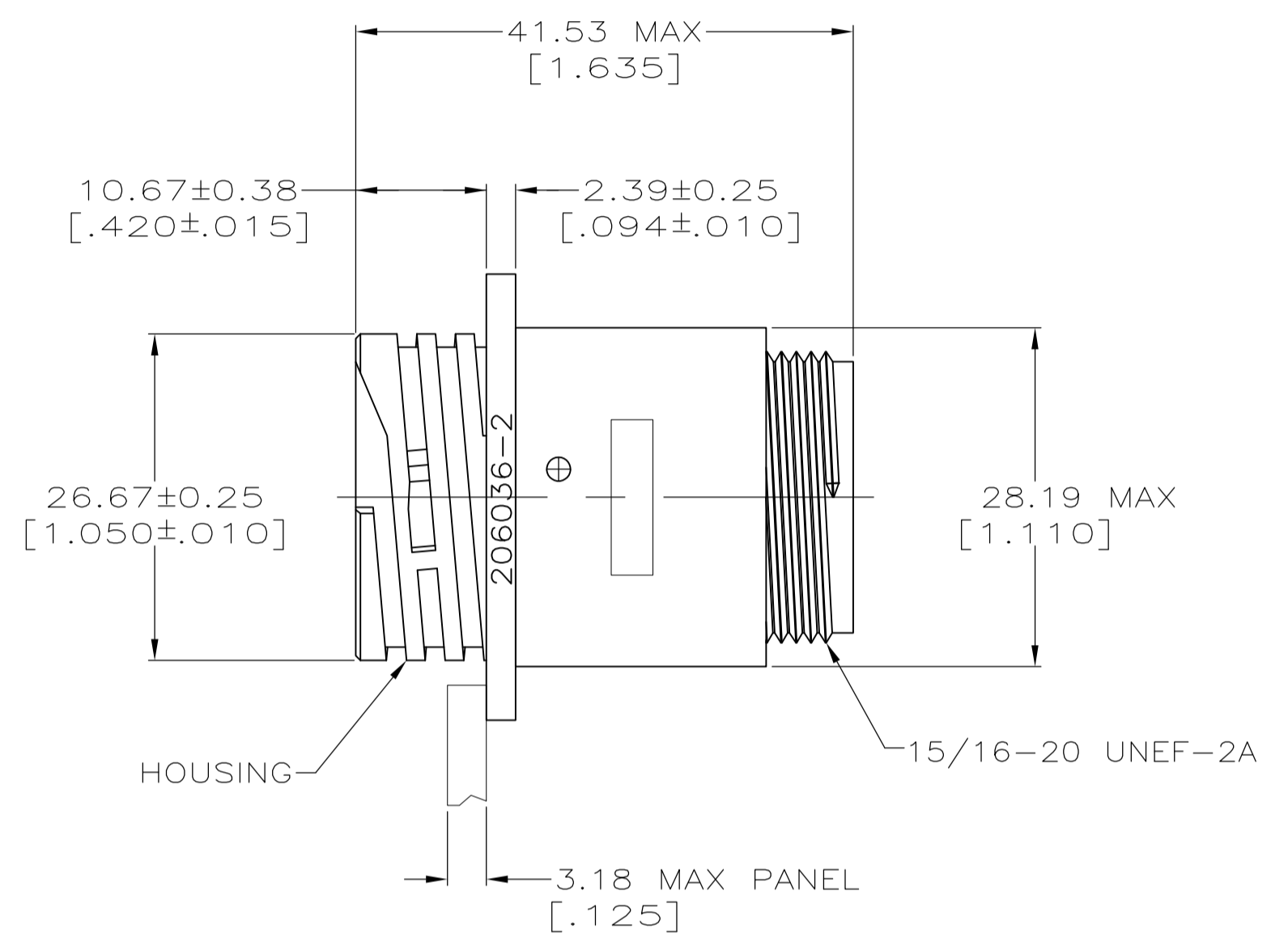
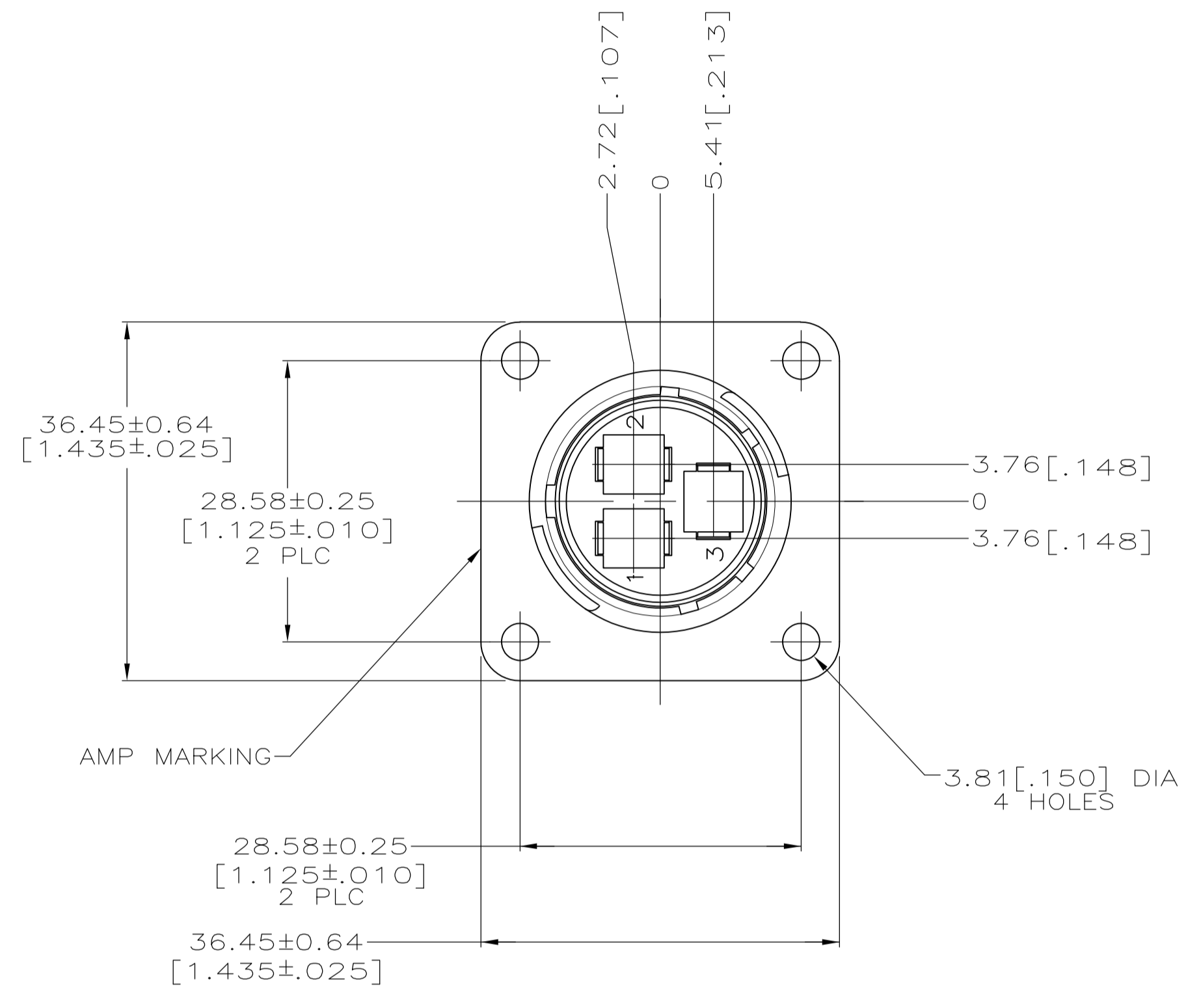
WEIGHT

CUSTOMER DRAWING SCALE 2:1 SHEET 1 OF 3 REV R2

STE TE Connectivity

LOC	DIST	REVISIONS					
FT	0	P	LTR	DESCRIPTION	DATE	DN	APVO
-	-	-	-	SEE SHEET 1	-	-	-

- NOTES:
1. CAVITY IDENTIFICATION ON FRONT AND REAR FACE.
 2. WILL ACCEPT (3) TYPE XII PIN CONTACTS.
- ⚠ HOUSING: NYLON, BLACK.
PERIPHERAL SEAL: ELASTOMER, GRAY.



⚠	206036-2
MATERIAL	PART NUMBER

THIS DRAWING IS A CONTROLLED DOCUMENT.		DIN D. GELTZ 07/27/93	RECEPTACLE HOUSING, STD SEX, SHELL SIZE 17, CPC	
DIMENSIONS: mm [INCHES]		CJK R. STONE 7-22-93	STE TE Connectivity	
TOLERANCES UNLESS OTHERWISE SPECIFIED:		APVO A. FRANTUM 8-12-93	NAME	
0 PLC ± -	1 PLC ± -	PRODUCT SPEC		
2 PLC ± 0.13 [.005]	3 PLC ± -	APPLICATION SPEC		
4 PLC ± -	ANGLES ± -	SIZE	CAGE CODE	DRAWING NO
MATERIAL -	FINISH -	WEIGHT -	A1 00779	206036
CUSTOMER DRAWING		SCALE 2:1	SHEET 2 OF 3	REV R2

