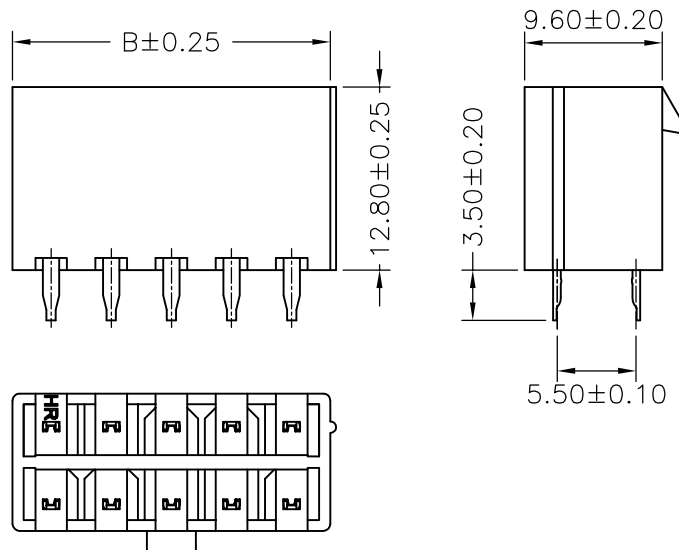
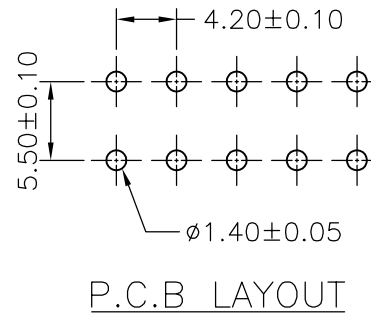
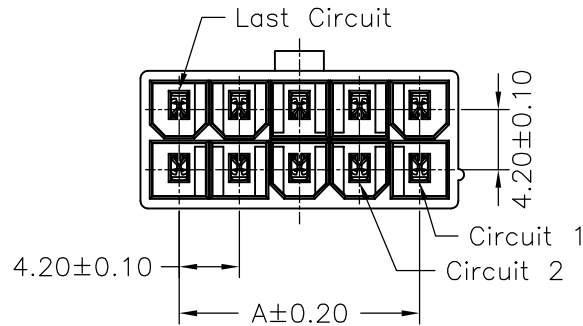


SPECIFICATIONS

Current Rating: 9A AC,DC
 Voltage Rating: 600V AC,DC
 Temperature Range: -25°C ~ +85°C
 Contact Resistance: 10mΩ Max
 Insulation Resistance: 1000MΩ Min
 Withstanding Voltage: 1500V AC/minute
 Pin Material: Brass/Tin-plated
 Material: Nylon 46,UL94V-0
 Color: Natural(Beige)

Ordering Information & Dimensions

PART NO.	Dimensions	
	A	B
C4255WVA-2X01P46	---	5.40
C4255WVA-2X02P46	4.20	9.60
C4255WVA-2X03P46	8.40	13.80
C4255WVA-2X04P46	12.60	18.00
C4255WVA-2X05P46	16.80	22.20
C4255WVA-2X06P46	21.00	26.40
C4255WVA-2X07P46	25.20	30.60
C4255WVA-2X08P46	29.40	34.80
C4255WVA-2X09P46	33.60	39.00
C4255WVA-2X10P46	37.80	43.20
C4255WVA-2X11P46	42.00	47.40
C4255WVA-2X12P46	46.20	51.60



				JOINT TECH ELECTRONIC IND. CO., LTD. JOY DAY INDUSTRIAL CO., LTD.	
UNIT	SCALE	SHEET	TITLE:		
mm		1 of 1	4.20mm PITCH 180° WAFER, MINI-FIT, NYLON 46		
DRAWN BY	APPROVED BY				
李勤	董正一				
2006.06.07	2006.06.07				
GENERAL TOLERANCE					
A1	REVISE	2008.12.16	X. X±0.25	ANGLE±	
A0	NEW RELEASE	2006.06.07	X. XX±0.15		
REV.	DESCRIPTION	DATE	X. XXX±0.05		
				DRAW NO. :	REV. A1
				C4255WVA-2XNP46	