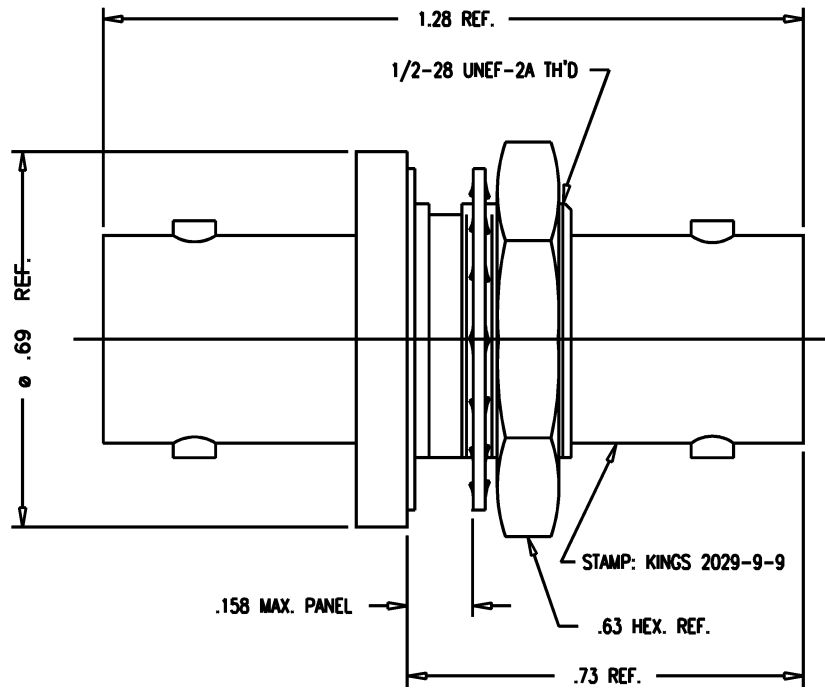


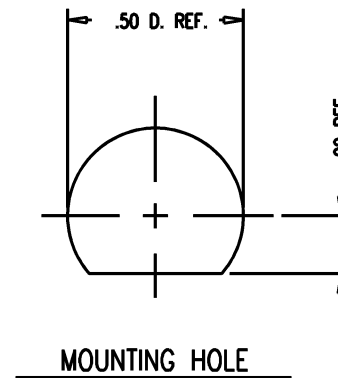
DASH NO.	M CODE	MADE FROM
----------	--------	-----------

GSD



NOTES:

- MATERIALS:**
 - INSULATORS: TEFLON, ASTM-D4894
 - GASKET: SILICONE RUBBER, A-A-59588
 - LOCKWASHER: PHOSPHOR BRONZE, ASTM-B103
 - CENTER CONTACT: BER. COP., ASTM-B196
 - ALL OTHER METAL PARTS: BRASS, ASTM-B16
- FINISHES:**
 - CENTER CONTACT: GOLD, ASTM-B488
 - ALL OTHER METAL PARTS: NICKEL, SAE-AMS-QQ-N-290.
- ELECTRIAL CHARACTERISTICS:**
 - NOMINAL IMPEDANCE: 75 OHMS
 - VOLTAGE RATING: 500 VRMS
 - FREQUENCY RANGE: DC TO 2 GHz
- HEX NUT PART NUMBER 492-A-9 M06.



GSD

2029-9-9

REVISIONS	
ISSUE	CHANGES
1	CN 33546 A REDRAWN KH 11/19/91
2	CN 35369 C KVH 03/31/94
3	CN 39467 E DRK 05/15/06

SCALE 4:1	
APPROX SURFACE AREA	
USED ON	
REF:	
ADAPTER, F-F, BULKHEAD, 75 BNC	
DRAWN KH	DATE 11/19/91
DESIGN DW	DATE 11/19/91
APPR.	DATE
KINGS ELECTRONICS CO., INC. ROCK HILL, SOUTH CAROLINA 29730	
2029-9-9	