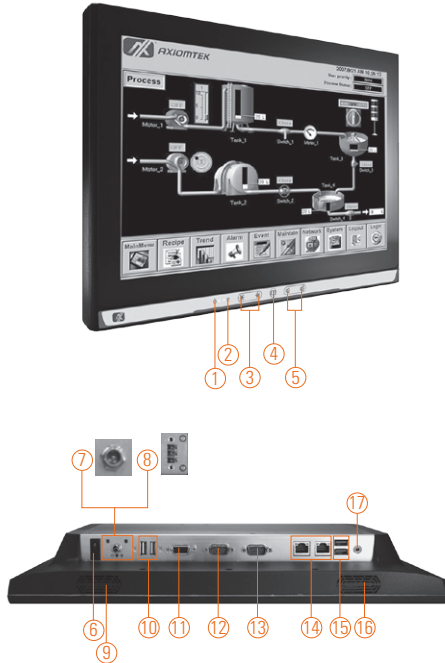


GOT5153W-834

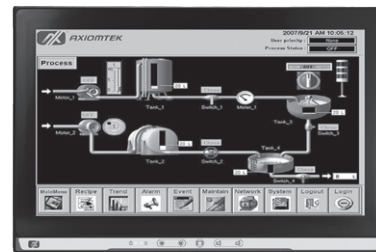
15.6" WXGA TFT Fanless Touch Panel
Computer with Intel® Celeron® Processor
J1900 (up to 2.42 GHz)



- | | | |
|----------------------|------------------------------------|----------------------------|
| 1. Power LED | 6. Power switch (ATX) | 12. COM 1 (RS-232/422/485) |
| 2. HDD LED | 7. Power input connector (Screw) | 13. COM 2 (RS-232/422/485) |
| 3. Brightness adjust | 8. Power input connector (Phoenix) | 14. Ethernet x 2 |
| 4. Display on/off | 9. Speaker | 15. USB 3.0 x 2 |
| 5. Volume adjust | 10. USB 2.0 x 2 | 16. Speaker |
| | 11. VGA | 17. Audio (Line-out) |

Features

- 15.6" WXGA wide screen TFT LCD display with LED backlight
- 15.6" projected capacitive touch or 5-wire flat resistive touch
- Fanless design with Intel® Celeron® processor J1900 4 cores (up to 2.42 GHz)
- Supports 2.5" SATA HDD & CFast™ or mSATA
- Supports 2 Gigabit LAN, 4 USB, 2 COM ports and speakers
- IP65 front bezel and IPX1 full enclosure
- Supports optional VESA arm/desktop stand/wall mount
- Supports optional RFID or smart card reader



▲ CFast™ cover



Introduction

The GOT5153W-834 is a 15.6" Intel® Celeron® processor fanless touch panel computer. In response to market demand, this panel computer is a cost effective solution. It adopts a modern, sleek and fanless design and is equipped with a 15.6" TFT LCD as well as Intel® Celeron® processor J1900 4 cores up to 2.42 GHz (Bay Trail). For wireless network connection, the GOT5153W-834 offers 2 PCIe Mini Card slots. By just plugging in a mini card WLAN card, customers can have instant access to wireless LAN/GPRS/GSM/4G environments. Besides, it provides two types of power input. One is DC power input (9-36VDC) with terminal block connector, and another is AC power adapter with screw type connector.

Slim & lightweight design

The GOT5153W-834 is slim and lightweight which make it fit for limited space installation.

Built-in internal WLAN antenna

The GOT5153W-834 provides 2 PCIe Mini Card slots and a built-in WLAN antenna for wireless network connections. By simply plugging in the wireless LAN card, customers can use the GOT5153W-834 in wireless LAN/GPRS/GPS/4G environment.

Support front membrane keys

The GOT5153W-834 provides 5 membrane keys in front of system, people can adjust the system display, volume and brightness.

Specifications

Front Bezel	IP65, NEMA 4 rugged protection, plastic front bezel	
LCD Panel	Display Type	15.6" WXGA TFT LCD with LED backlight
	Brightness (cd/m ²)	300 nits
	Resolution	1366 x 768
Main System	CPU	Intel® Celeron® processor J1900 4 cores (up to 2.42 GHz)
	System Memory	1 x 204-pin DDR3L-1333 MHz SO-DIMM max. up to 8 GB
	BIOS	AMI UEFI BIOS
	Storage	1 x 2.5" SATA HDD 1 x CFast™ or mSATA
	Watchdog Timer	255 levels, 0-255 sec.
	Onboard Graphics	Integrated Intel® HD GFX



Specifications

I/O Connector	2 x RS-232/422/485 (default RS-232, COM 1/2) 1 x Switch for power on/off 2 x USB 2.0 2 x USB 3.0 1 x VGA 1 x Audio (Line-out) 2 x 10/100/1000Mbps Ethernet (Intel® i210IT)
Expansion Interface	1 x Full-size PCI Express Mini Card with mSATA supported 1 x Full-size PCI Express Mini Card with SIM slot
Touchscreen	Projected capacitive multi-touch 5-wire flat resistive touch
Power Supply	1. DC version: 9-36VDC with over-current protection fuse 2. AC version: 100-240V AC-DC 60W power adapter
Dimensions	394.2 mm (15.53") (W) x 57 mm (2.25") (D) x 257.2 mm (10.13") (H)
Packing Dimensions	510 mm (20.09") x 190 mm (7.48") x 540 mm (21.26")
Weight (net/gross)	3.0 kg (6.61 lb)/ 4.5 kg (9.92 lb)
Environment	Operating temperature: 0°C ~ +45°C (32°F ~ +113°F) w/RAM thermal kit Storage Temperature: 0°C ~ +45°C (32°F ~ +113°F) Relative humidity: 20% ~ 90% @ 40°C; non-condensing Operation vibration: 2 G, 10 ~ 500Hz, random for CFast™
Certificate	CE

* W.T.: Wide Temperature. All W.T. supported products have to be sorted by Axiomtek.

Ordering Information

GOT5153W-834-PCT-J	15.6" WXGA fanless touch panel computer with Intel® Celeron® processor J1900, projected capacitive multi-touch screen, AC-DC 60W power adapter (screw type connector) and EMI class B
GOT5153W-834-FR-J	15.6" WXGA fanless touch panel computer with Intel® Celeron® processor J1900, 5-wire flat resistive touch screen, AC-DC 60W power adapter (screw type connector) and EMI class B
GOT5153W-834-PCT-DC	15.6" WXGA fanless touch panel computer with Intel® Celeron® processor J1900, projected capacitive multi-touch screen, and 9-36VDC power input (terminal block connector)
GOT5153W-834-FR-DC	15.6" WXGA fanless touch panel computer with Intel® Celeron® processor J1900, 5-wire flat resistive touch screen, and 9-36VDC power input (terminal block connector)

Optional EOS Installation

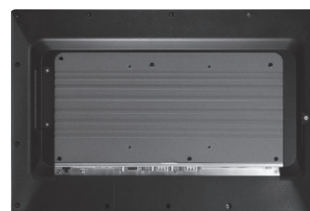
WES7

WE8S

Optional OS Installation

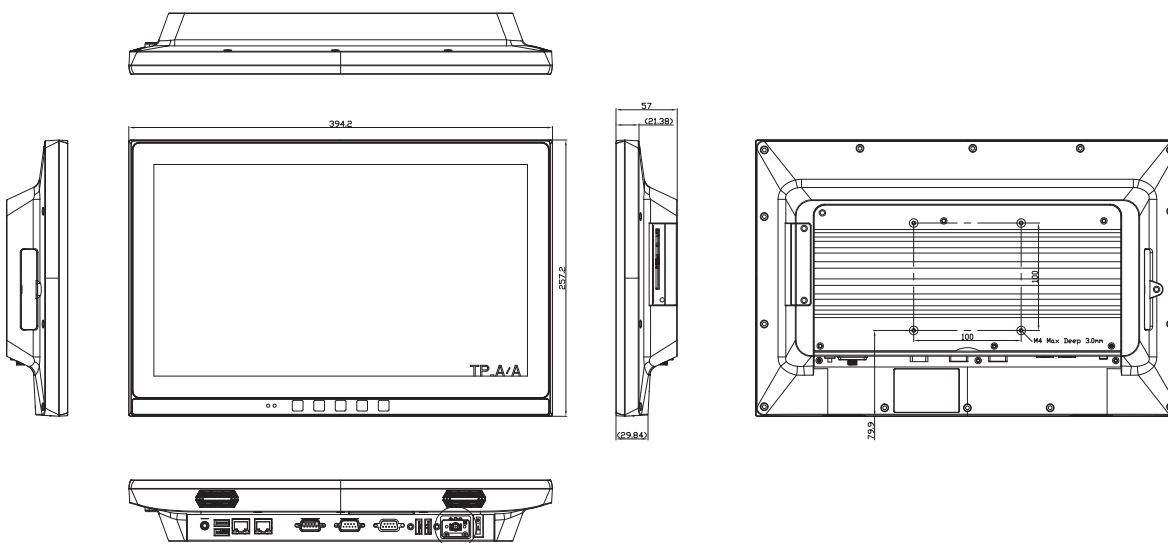
Windows® 7

Windows® 8.1



▲ Rear view

Dimensions



Phoenix plug For DC version



Din-Jack For AC version

Overview

1

Fanless Touch Panel Computers

Heavy-duty Fanless Touch Panel Computers

Industrial Touch Panel Computers

Industrial Touch panel Monitors

Infotainment Touch Panel Computers

Healthcare & Medical Solutions

Open Frame Panel Computers

Accessories

