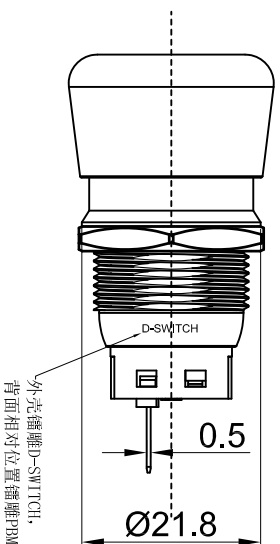
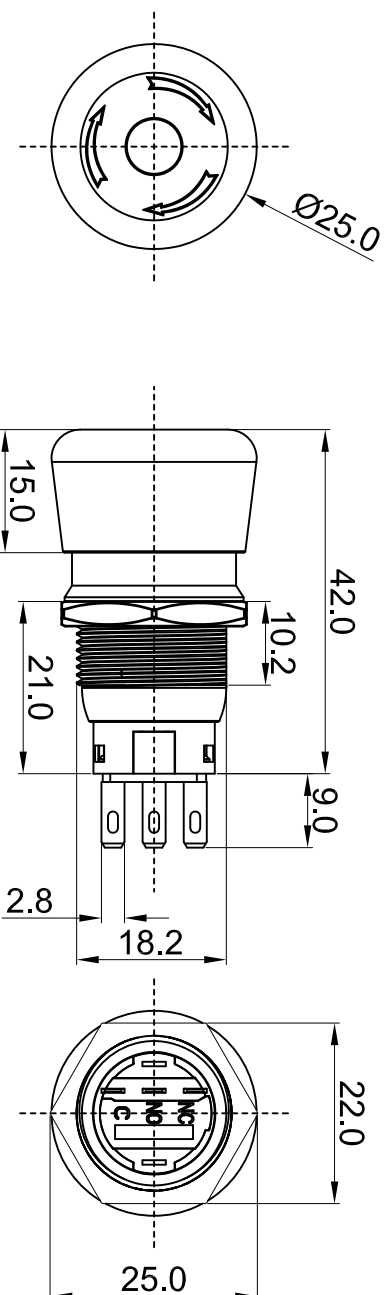
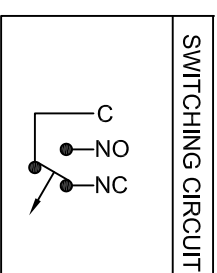
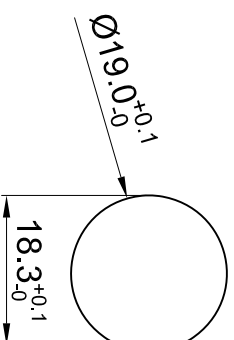


- 备注:
1. 外壳镗雕A3;
  2. 拧螺母, 配垫圈。



Nut Torque:5~14Nm  
 Operating Pressure:750gf ± 200gf  
 Operating Stroke:3.0mm ± 0.5mm  
 Protection Grade:IP65  
 Function: ON-OFF  
 Contact:Silver Alloy  
 Base:PA66  
 Shell:stainless steel  
 Button:Aluminum alloy anodizing  
 Rating:3A 250V AC  
 Contact Resistance:50mΩ MAX.  
 Insulation Resistance:100MΩ MIN.  
 Dielectric Strength:1000V/AC 1 minute  
 Electrical life:50,000 cycles  
 Mechanical life:100,000 cycles  
 Operating Temperature: -20°C~80°C  
 Relative Air Humidity:45%~85%  
 Safety Approval:

CUT-OUT



**D-SWITCH**  
 东莞市德松电子有限公司  
 D-SWITCH ELECTRONICS CO.,LTD

公差 TOLERANCES .X± 0.5 .XX± 0.3 角度 ANGLE ±1° 单位 DIMENSION UNIT mm.

版本 VER	变更说明 CHANGE DESCRIPTION	日期 DATE	ECON NO.	批准 APPROVED BY	核对 CHECKED BY	绘图 DRAWN BY	品名 TITLE	图号 DRAWING NO
				版本 A0	比例尺 SCALE 1:1	日期 DATE 2022.03.09	PBM-19213-DR-N-NN-S7S-HL1-Z-A3-0004	1013275